

Rice Lake Weighing Systems

TABLE OF CONTENTS

S-BEAMS

Page 96

RL20000I, ALLOY STEEL



Ideally suited for scale conversions and general-purpose weighing. Compact and rugged design. Capacities range from 25 to 20,000 lb, with cable lengths available in 20, 30 or 35 ft, depending on the module.



Page 97

RL20000SS, STAINLESS STEEL



For suspended applications or mechanical scale conversions, this model provides the additional protection of stainless steel necessary in dry, corrosive environments. Available in capacities ranging from 50 to 20,000 lb with 20 ft of load cell cable.



Page 98

RL20000ST, STAINLESS STEEL



Ideally suited for suspended applications or mechanical scale conversions. The stainless steel design provides additional protection in dry, corrosive environments. The extremely miniature envelope is suitable for a wide variety of weighing applications in tension or compression. Capacities available from 50 to 5,000 lb, each comes with 20 ft of polyurethane cable.



Page 99

RL20001I, ALLOY STEEL



Suited for scale conversions, tension applications and general-purpose weighing. Compact and rugged design. Capacities range from 250 to 20,000 lb. Complete with 20 ft of load cell cable.



Page 100

RL20001HE, STAINLESS STEEL



A full stainless steel, welded-seal, S-beam featured in our ITCM HE products, and it is ideal for the harshest tension mounting applications. NTEP Certified capacities range from 500 to 5,000 lb; non-NTEP Certified capacity of 10,000 lb. Complete with 20 ft of load cell cable



Page 101

RLETS, ALLOY STEEL



Ideally suited for scale conversions and general-purpose weighing. OIML approved and metric envelope capacities range from 250 to 2,500 kg. Complete with 6 m of load cell cable.



SINGLE-ENDED BEAMS

Page 102

RL32022, ALLOY STEEL



The RL32022 is a metric version of the RL32018 load cell. Constructed of alloy steel and sealed to IP67 standards. OIML approved capacities range from 300 to 2,000 kg. Complete with 5 m of load cell cable.



RICE LAKE
LOAD CELLS

Rice Lake Weighing Systems

SINGLE-ENDED BEAMS

Page 103

RL32022-S, STAINLESS STEEL



This stainless steel load cell is the metric version of the RL32018S. Sealed to IP67 standards, load cell capacities range from 300 to 5,000 kg. OIML approved and comes with 5 m of cable.



Page 104

RL32018, ALLOY STEEL



An alloy steel single-ended beam cell offered from 250 to 20,000 lb. Each load cell has 20 ft of cable and is FM approved and NTEP Certified from 500 to 10,000 lb.



Page 105

RL32018, MLC COATED ALLOY STEEL



This is a multi-layer coated (MLC) alloy steel single-ended beam load cell offered from 1,000 to 20,000 lb. Each load cell has 20 ft of cable and is FM approved. It is NTEP Certified from 1,000 to 10,000 lb and is ideal for fertilizer applications.



Page 106

RL32018S, STAINLESS STEEL



Available in capacities from 250 to 20,000 lb. Sealed to IP66 standards, each cell includes 20 ft of cable and is FM approved. NTEP Certified from 500 to 10,000 lb.



Page 107

RL32018S-P, STAINLESS STEEL



Sealed to IP69K standards, it has a 3 mV output and is FM approved. Available in capacities from 1,000 to 10,000 lb. Comes complete with 20 ft of PTFE cable.



Page 108

RL32018S-HE, STAINLESS STEEL



A hermetically sealed, stainless steel single-ended beam load cell with 20 ft of PTFE jacketed cable for protection in harsh environments. Sealed to IP69K standards, this cell is 3 mV/V and NTEP Certified capacities from 500 to 10,000 lb.



Page 109

RL32019S-HE, STAINLESS STEEL



A stainless steel single-ended beam with 2 mV/V and 30 ft of PTFE jacketed cable. Hermetically sealed to IP69K standards, perfect for tough environments. Available capacities from 1,000 to 10,000 lb.



Page 110

RL32218S-HE, STAINLESS STEEL



Available in capacities from 1,000 to 10,000 lb, this model is hermetically sealed and comes complete with either 20 ft of PTFE or rodent protection cable.



Page 111

RL9018SS, STAINLESS STEEL



Hermetically sealed with an IP68/IP69K rating, this stainless steel, single-ended beam load cell has NTEP Certified for capacities from 5 to 500 kg. Comes with 3 m of cable.



SINGLE-ENDED BEAMS

Page 112

RL30000I, ALLOY STEEL



This threaded hole, single-ended beam is designed for low-profile scales and process applications. NTEP Certified cells in capacities ranging from 1,000 to 10,000 lb. Non-NTEP Certified cells in 250, 500 and 20,000 lb capacities. Complete with 20 ft of load cell cable.



Page 113

RL30002, ALLOY STEEL



Single-ended beam designed for low-profile scales and process applications. NTEP Certified cells in capacities ranging from 1,000 to 5,000 lb SE. Complete with 20 ft of load cell cable.



Page 114

RLH35, STAINLESS STEEL



Stainless steel construction and integral mounting foot as well as dimensional and electrical interchangeability with several load cell manufacturers. Available in a 500 lb capacity with 20 ft of load cell cable.



Page 115

RL39123, STAINLESS STEEL



Single-ended beam in stainless steel. Designed for low-profile scales and process applications. Capacities range from 250 to 10,000 lb. Complete with 20 or 30 ft of load cell cable, depending on the module.



Page 116

RL32018S-T, STAINLESS STEEL



Replacement for the RL30745 load cell used in RLTM weigh modules and for the Mettler Toledo® model 745. Complete with 15 or 30 ft cable. NTEP Certified and FM approved. Capacities available from 500 to 10,000 lb.



Page 117

RLHTO, STAINLESS STEEL



The low profile, hermetic sealing and high-accuracy makes the RLHTO suitable for low-profile platforms, pallet truck weighers, tanks and silos. Capacities available from 500 to 5,000 kg and is complete with 5 m of load cell cable.



Page 118

RLSSB, STAINLESS STEEL



Rugged and precise single-ended beam offers welded-seal protection and stainless steel construction. Designed for use in the most hostile environments. Applications include platform scales, materials testing and process weighing. Capacities range from 1,000 to 10,000 lb. Complete with 15 ft of load cell cable.



Page 119

RLSB250/RLSB250T, STAINLESS STEEL



Interchangeable with Cardinal® SB2500. Stainless steel construction with welded seal. NTEP Certified capacity of 2,500 to 10,000 lb available. Comes complete with 15 or 20 ft of load cell cable.



Page 120

RL50219SS, STAINLESS STEEL



A direct replacement for the RL50210SS stainless cantilever beam cell. It has an IP65 rating and comes with 20 ft of cable. Used in the RL50210SS-TA weigh modules in capacities from 25 to 500 lb.

Rice Lake Weighing Systems

SINGLE-ENDED BEAMS

Page 121

RL50225, ALLOY STEEL



Capacities range from 25 to 100 lb, and it can be used for tension or compression loading applications. The RL50225 comes with 20 ft of cable.



Page 122

RL50210, ALLOY STEEL



Designed for tension or compression loading applications. Capacities range from 25 to 500 lb. Complete with 20 ft of load cell cable.



Page 123

RL40BBS, ALLOY STEEL



Designed for precision force and weight measurement. Capacities range from 50 to 2,500 lb. Complete with 10 ft of load cell cable.

Page 124

RL32011WB-L, STAINLESS STEEL



A Legal for Trade link-style replacement for the Avery Weigh-Tronix® Weigh Bar®. Stainless steel construction and IP67 rating for a variety of floor scale, mount assembly and truck scale designs. Standard capacities range from 1,250 to 10,000 lb. Complete with 20 ft of load cell cable.



Page 125

RL32011WB-T, STAINLESS STEEL



A direct replacement for the threaded style Avery Weigh-Tronix® Weigh Bar®, with improved stainless steel construction and a potted IP67 housing. Available in 1,250 or 2,500 lb capacities and comes with 20 ft of load cell cable.



DOUBLE-ENDED BEAMS

Page 126

RL72020, ALLOY STEEL



An alloy steel, double-ended beam load cell ideal for truck, tank and hopper applications. Complete with 30 ft of load cell cable and available in capacities of 5,000 to 250,000 lb.



Page 127

RL72020SS, STAINLESS STEEL



A stainless steel, double-ended beam load cell with an environmental seal and is NTEP Certified. Available in capacities of 5,000 to 150,000 lb and complete with 30 ft of cable.



Page 128

RL72020, MLC COATED ALLOY STEEL



This multi-layer coated (MLC) alloy steel, double-ended beam load cell has capacities from 5,000 to 250,000 lb. Each load cell has 30 ft of cable and is ideal for fertilizer, tank, and hopper applications.



DOUBLE-ENDED BEAMS

Page 129

RL72019SS, STAINLESS STEEL



A direct replacement for the RL72010MH load cell. It is stainless steel and has a welded seal. Complete with 25 ft of cable and is available in capacities from 5,000 lb to 60,000 lb.



Page 130

RL77032, ALLOY STEEL



This alloy steel double-ended beam load cell features center loading, with capacities ranging from 1,000 to 75,000 lb. It is designed for tank and hopper applications and has 25 ft of cable.



Page 131

RL77032SS, STAINLESS STEEL



Designed for tank and hopper applications, the RL77032SS is built with stainless steel to resist corrosive materials. It's a double-ended beam with center loading and a capacity ranging from 1,000 to 75,000 lb. The RL77032SS comes with 25 ft of cable.



Page 132

RL77032SS HE, STAINLESS STEEL



The RL77032SS HE is designed for use in the harshest environments, constructed with stainless steel and is hermetically sealed. It is a double-ended beam with center loading, handling a capacity range of 1,000 to 75,000 lb, equipped with 25 ft of cable.



Page 133

RL75016, ALLOY STEEL



Designed for tank and hopper applications. An alloy steel double-ended beam load cell with center loading. Capacities range from 1,000 to 75,000 lb. The load cell comes with 25 ft of load cell cable.



Page 134

RL75016, MLC COATED ALLOY STEEL



A version of the RL75016 load cell but with multi-layer coating (MLC) for extra protection in dry chemical applications. It is a double-ended beam with center loading and is designed for tank and hopper applications. Capacities range from 1,000 to 75,000 lb. Complete with 25 ft of load cell cable.



Page 135

RL75016SS, STAINLESS STEEL



Double-ended beam with center loading. Designed for tank and hopper applications. Stainless steel provides protection against corrosive materials. Capacities range from 1,000 to 75,000 lb. Complete with 25 ft of load cell cable.



Page 136

RL75016SS-W, STAINLESS STEEL



A double-ended beam, stainless steel load cell designed for tank and hopper applications. Capacities range from 5,000 to 25,000 lb and come with 25 ft of load cell cable.

Rice Lake Weighing Systems

DOUBLE-ENDED BEAMS

Page 137

RL75016WHE, STAINLESS STEEL



Double-ended beam with center loading and designed for tank and hopper applications. Stainless steel construction and hermetic sealing provide protection in hostile environments. Capacities range from 1,000 to 25,000 lb. Complete with 25 ft of load cell cable.



Page 138

RL75058I, FOR RICE LAKE COIL SCALE



Nickel plated and environmentally sealed with stainless steel side plates. Used in the Rice Lake Weighing Systems® coil scale. Capacities range from 20,000 to 75,000 lb, complete with 35 ft of load cell cable.



Page 139

RL75058-LP, ALLOY STEEL



Nickel-plated, high-alloy steel load cell with built-in lightning protection. Available in capacities from 10,000 to 125,000 lb. Sealed to IP67 standards, it has a 3 mV/V output and is FM approved and NTEP Certified.



Page 140

RL75058S-LP, STAINLESS STEEL



A stainless steel, hermetically sealed load cell with built-in lightning protection. It is available in capacities 10,000 to 125,000 lb with an IP68/IP69K rating.



Page 141

RL75060S, STAINLESS STEEL



Provides durability and accuracy in high-capacity process measurement and control. Ideal for vehicle weighing in hostile environments. Units are NTEP Certified and available in a 100,000 lb capacity with 35 ft of cable and 25,000 lb with 60 ft of cable.



Page 142

RL75223, ALLOY STEEL



High-performance, end-loaded, center-supported shear beam. Designed for low-profile truck and track scales in harsh environments. Welded seal provides superior protection. Parallel link loading provides free movement in all horizontal directions. Compatible with Translink™ mounts. Capacities range from 50,000 to 100,000 lb with 40 ft of cable.



Page 143

RLDB50000S, STAINLESS STEEL



Stainless steel, welded-seal load cell designed as an interchangeable load cell for the Cardinal® DB50000S. It is NTEP Certified for 10,000 divisions and has 35 ft of cable standard. Available in 50,000 a lb capacity.



Page 144

RL75040, ALLOY STEEL



Double-ended beam load cell. Nickel -plated and environmentally sealed with stainless steel plates. Designed for center mounting and double link loading, compatible with Unilink/Translink™ suspension up to 75,000 lb. Capacities range from 25,000 to 125,000 lb. Complete with 35 ft of load cell cable. Optional 40 or 50 ft cable available with some capacities.



COMPRESSION CANISTERS

Page 145

RLCSP1, STAINLESS STEEL



Welded-seal, stainless steel canister cell designed for vehicle and process applications. High capacity load cell is built for reliability, durability and extreme precision. Ideal for applications where optimal precision and durability are needed. Capacities range from 25,000 to 200,000 lb. Complete with 35 or 80 ft of load cell cable.



Page 146

RL8C2P1SST, STAINLESS STEEL



Single-column design with low deflection; hermetically sealed for extra protection tough conditions. Stainless steel for use in harsh environments. Compact and rugged. Capacities of 50,000, 100,000 and 200,000 lb. Complete with 35 ft of load cell cable.



ROCKER COLUMN

Page 147

RL82025, STAINLESS STEEL



The RL82025 is a stainless steel, hermetically sealed rocker style load cell. It features built in lightning protection and is available in 30 t and 50 t capacities. It is provided in our Mettler Toledo PDF replacement weigh module kits. Comes with 18 m of cable.



Page 148

RL82021, STAINLESS STEEL



The RL82021 is a stainless steel, hermetically sealed rocker style load cell. It features built-in lightning protection and stainless over braid cable. It is available in 30 and 40 t capacities with 18 m of cable.



Page 149

RLSCA-50K, STAINLESS STEEL



A replacement for Cardinal® SCA products. Features stainless steel construction and welded sealing to provide IP67 environmental protection. Includes a load cell and two retrofit cups that allow match up with various field applications. NTEP Certified. Provides easy installation and access. Available in a 50,000 lb package, comes with 30 ft of standard load cell cable.



Page 150

RL70510/RL80453, STAINLESS STEEL



Replacements for the Fairbanks Scales® 70510 and 80453 rocker cells found in many truck scales. Stainless steel and hermetically sealed. Complete with 15 ft of load cell cable.



Page 151

RL75114-50K, STAINLESS STEEL



Stainless steel, hermetically sealed rocker column designed to interchange with the Fairbanks Scales® part number 64166. Comes with 30 ft of overbraid cable to protect it from abrasion and pests. NTEP Certified.



Rice Lake Weighing Systems

COMPRESSION DISK

Page 152

RL90000, ALLOY STEEL



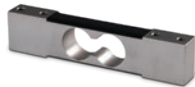
Environmentally sealed low-profile compression disk. Models with capacities of 5,000 and 10,000 lb can also be used in tension loading applications. Shear web design provides excellent performance and its low profile makes it ideal for applications where height is critical. Capacities range from 5,000 to 100,000 lb. Complete with 50 ft of load cell cable.



SINGLE POINTS

Page 153

RLPC3SS, STAINLESS STEEL



Stainless steel, environmentally sealed single point load cell that is ideally suited for bench scales. NTEP Certified and OIML approved with capacities from 7 to 150 kg. 10 ft of cable standard.



Page 154

RLPC4SS-HE, STAINLESS STEEL



Stainless steel, hermetically sealed single point load cell designed for bench scales used in washdown applications. Available in capacities from 10 to 100 kg, comes with 10 ft of load cell cable. NTEP Certified and OIML approved.



Page 155

RLPC6, STAINLESS STEEL



Stainless steel, hermetically sealed single point load cell ideal for wet environments. NTEP Certified and comes with 3 m of cable. Capacities range from 10 to 200 kg.



Page 156

RLPWM15HE, STAINLESS STEEL



Hermetically sealed, stainless steel, single point load cell. Available in capacities ranging from 10 to 100 kg. NTEP Certified and comes complete with 2.83 or 10 ft of load cell cable.



Page 157

RLPWM15, STAINLESS STEEL

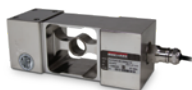


Environmentally sealed and replaces the HBK® PW15 for many bench scale types. Comes in a range of capacities from 10 to 100 kg and has 3 m of load cell cable. NTEP certified and FM approved.



Page 158

RLPCBC-60, STAINLESS STEEL



Stainless steel, hermetically sealed, single point load cell that can be used in wet environments. NTEP Certified and comes complete with 10 ft of load cell cable. Capacity ranges from 50 to 1,000 kg.



Page 159

RL1521A, ALUMINUM



Low-profile, single point load cell designed for electronic bench scales and platform scales. A replacement for the VPG®, BLH® and NMB C2G1. Capacities range from 3 to 35 kg and come complete with 1.5 or 10 ft of load cell cable.



Rice Lake Weighing Systems

SINGLE POINTS

Page 160

RL1010, ALUMINUM



Off-center loading load cell designed for long-lasting, durable mounting of the weighing platform. Load cells with potted cavities are available for improved performance in damp environments. Potted model capacities range from 7 to 90 kg with 10 ft of load cell cable. Unpotted model capacities range from 3 and 5 kg with 3 ft of load cell cable. NTEP Certified from 10 to 50 kg.



Page 161

RLSP4, ALUMINUM



A low-profile, off-center loading, single-point load cell designed for retail, postal and platform scale applications. Manufactured from aluminum, moment compensated for optimal accuracy and protected by a quality gauge coating compound that provides a barrier against high humidity environments. Available in capacities ranging from 7 to 100 kg, and comes standard with 10 ft of load cell cable.



Page 162

RLPWM16, ALUMINUM



A single point, aluminum load cell in a 75 kg capacity. This load cell has a potted cavity and offers excellent performance in damp environments. Complete with 10 ft of load cell cable.



Page 163

RL1042, ALUMINUM



A low-profile single point for platform weighing, this model is constructed of aluminum, and is a two-beam design. This design offers high immunity to side forces and is specially coated to provide humidity resistance. The unit is available in 1 kg capacity. Complete with 10 ft of load cell cable.



Page 164

RL1040, ALUMINUM



The RL1040 maintains long-term stability and durability. Potted cavities provide improved performance in damp environments. NTEP Certified capacities range from 5 to 100 kg. Complete with 10 ft of load cell cable.



Page 165

RL1140, STAINLESS STEEL



A single point load cell constructed of stainless steel. Ideal for platform scales, and packaging and process weighing equipment. Capacities range from 15 to 150 kg. Complete with 10 ft of load cell cable.



Page 166

RL1380, STAINLESS STEEL



Designed for high performance in wet environments, these single point load cells provide an excellent option when stainless steel is required for an application. Available in capacities ranging from 7 to 60 kg. Complete with 10 ft of load cell cable.



Page 167

RL1385, STAINLESS STEEL



Low-profile, off-center loading load cell. Designed for direct mounting on weighing platforms, hanging scales and other low-capacity beam applications. Stainless steel construction with a humidity-resistant protective coating provides long-term stability, even in harsh environments. Potted cavities provide improved performance in damp environments. Capacities range from 10 to 200 kg. Complete with 10 ft of load cell cable. The 100,000 and 200,000 kg capacities are not NTEP Certified.



RICE LAKE
LOAD CELLS

Rice Lake Weighing Systems

SINGLE POINTS

Page 168

RL260FD, STAINLESS STEEL



A Rice Lake fluid dampened load cell. The stainless steel housing and standard breather tube provide excellent protection in most applications. Available from 2 to 50 kg capacities and comes with 5 m of load cell cable. NTEP Certified and FM approved.



Page 169

RL26018A, ALUMINUM



Ideal for bench scales. Comes in capacities from 50 to 635 kg. NTEP and FM approved and is environmentally sealed to IP67 standards. Complete with 10 ft of load cell cable.



Page 170

RL1218A, ALUMINUM



A high-capacity, off-center loading load cell. Capacities range from 50 to 1,000 kg and comes complete with 10 ft of load cell cable. Features potted cavities that offer excellent performance in damp environments.



Page 171

RL42018A, ALUMINUM



An aluminum, IP66 single point load cell. Available in capacities ranging from 3 to 100 kg and has NTEP Certified and FM approvals. Includes 10 ft of load cell cable.



Page 172

RLFLS, STAINLESS STEEL



Interchangeable with the Avery Weigh-Tronix® FLS, Rice Lake's single point RLFLS is ideal for many bench scale applications. The potted RLFLS is stainless steel and rated at IP67, available in a 50 lb capacity with 10 ft of load cell cable.

PLANAR BEAMS

Page 173

RLBLP, ALUMINUM



Low-profile aluminum sensor that can be used in bench scales or low-profile floor scales. Available in capacities ranging from 15 to 150 kg. Each module comes complete with 1 or 1.5 m of load cell cable.

TENSION LINK

Page 174

RL2010 TENSION LINK



Ranges in capacities of 5,000 to 500,000 lb and comes with 40 ft of load cell cable. Constructed of stainless steel. Ideal for unique tension applications.

MSI

Page 175

MSI LOAD PIN SENSORS



A key component of MSI's integrated overhead weighing solutions is the Load Pin Sensor. Typically designed and manufactured specifically to each integrated solution, the MSI load pin is strictly industrial grade. Each load pin design is precision machined from 17-4 stainless steel for safety, strength and corrosion resistance.

Page 176

MSI LOAD PIN QUESTIONNAIRE

The MSI Load Pin Questionnaire must be completed prior to quoting. An accurately completed questionnaire will ensure a proper installation with the highest accuracy.

Page 177

MSI TENSION LINK



The MSI Tension Link integrates between a crane block and lifting equipment to provide force measurement for lifted items, making it an ideal integration for cranes. The MSI Tension Link features a 7:1 safety factor for compliance with industrial and military safety requirements.

Page 178

MSI CLAMP-ON



The MSI Clamp-on load cell is a durable solution for measuring wire rope tension, providing dependable overload detection and prevention for overhead cranes and hoists. Available in two envelopes to accommodate most common wire ropes, 3/8 inch to 1/2 inch and 9/16 inch to 3/4 inch, the MSI Clamp-on installs quickly and easily to the wire rope dead end. Weight-based setpoints can be used to communicate with crane electronics providing operator alerts and safety shutoffs based on unsafe load conditions.

RL20000I

Alloy Steel, Environmentally Sealed, NTEP Certified 1:5,000 III/1:10,000 IIII, IP67



Picture is a representation of actual product.

Approvals



Order Information

Load Rating	Part #	Est. Weight	Price
25 lb	21428	2 lb	\$290.00
50 lb	21429	2 lb	\$290.00
75 lb	21430	2 lb	\$290.00
100 lb	21431	2 lb	\$290.00
150 lb	21432	2 lb	\$290.00
200 lb	21433	2 lb	\$290.00
250 lb	21434	2 lb	\$290.00
300 lb	21435	2 lb	\$290.00
500 lb	21436	2 lb	\$290.00
750 lb	21437	2 lb	\$290.00
1,000 lb	21438	2 lb	\$290.00
1,500 lb	21439	2 lb	\$290.00
2,000 lb***	21356	2 lb	\$358.00
2,000 lb	21440	2 lb	\$290.00
2,500 lb	21441	2 lb	\$290.00
3,000 lb	21442	4 lb	\$335.00
5,000 lb***	17044	4 lb	\$505.00
5,000 lb	21443	4 lb	\$470.00
10,000 lb	21444	4 lb	\$470.00
15,000 lb	21445	7 lb	\$590.00
20,000 lb***	17045	17 lb	\$995.00
20,000 lb	21446	17 lb	\$925.00
Conduit Adapter Kit* (must be factory installed to maintain warranty)			
3/8-24 nipple	31533*	1 lb	\$40.00
3/8-24 to 1/4-18 NPT	31534*	1 lb	\$40.00
Replacement Agriculture Scale Load Cell - 40 ft Cable			
10,000 lb	151746	5 lb	\$493.00

*PN 31533 and PN 31534 must be installed together to form the Conduit Adapter Kit

***These load cells have 30ft or 35ft of cable and trimmed outputs and are used in many batch plants

Dimensions

Rated Capacity	A	B	C	D	E
lb/in					
25 to 300	1/4-28 UNF	0.75	0.50	2.00	2.50
500 to 1,500	1/2-20 UNF	1.00	0.75	2.00	2.50
2,000 to 2,500	1/2-20 UNF	1.25	1.00	2.00	2.50
3,000	1/2-20 UNF	1.25	1.00	3.00	4.00
5,000 to 10,000	3/4-16 UNF	1.25	1.22	3.00	4.00
15,000	1-12 UNF	1.50	1.25	4.00	5.50
20,000	1 1/4-12 UNF	2.25	2.00	5.00	7.00

Interchangeable Products

ARTECH®
20210 (1-14 UNF) (15,000 lb thread is 1-12 UNF for Rice Lake model)

Weigh Module Available

RICE LAKE WEIGHING SYSTEMS
ITCM Isolated Tension Cell Mount.....page 34

Specifications

Full Scale Output:

3.0 mV/V

Output Resistance:

350 (± 3) ohm

Input Resistance:

385 (± 5) ohm

Material/Finish:

High-alloy steel, nickel plated

Temperature:

Compensated:
 14 °F to 104 °F (-10 °C to 40 °C)
 Operating:
 0 °F to 150 °F (-18 °C to 65 °C)

Seal Type:

Environmentally sealed, IP67

Safe Overload:

150% full scale

Rated Excitation:

5 to 10 VDC (15 V maximum)

Combined Error:

0.02% full scale

Insulation Resistance:

5,000 megohm

Cable Length:

20 ft
 30 ft (pn 17044 and 17045)
 35 ft (pn 21356)

Cable Diameter:

0.200 in
 Polyurethane jacket

Cable Color Code:

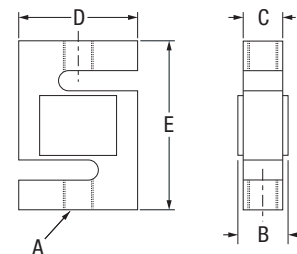
Red +Excitation
 Black -Excitation
 Green +Signal
 White -Signal

Warranty:

Two-year limited

Approvals:

NTEP 90-158
 cFMus





Picture is a representation of actual product.

Approvals



Order Information

Load Rating	Part #	Est. Weight	Price
NTEP Certified			
100 lb	46511	2 lb	\$315.00
250 lb	46503	2 lb	\$315.00
300 lb	181826	2 lb	\$315.00
500 lb	46504	2 lb	\$315.00
750 lb	46505	2 lb	\$315.00
1,000 lb	46506	2 lb	\$315.00
2,500 lb	46507	2 lb	\$315.00
3,000 lb	46508	4 lb	\$345.00
5,000 lb	46509	4 lb	\$505.00
10,000 lb	46510	4 lb	\$525.00
Non-NTEP Certified			
50 lb	17013	2 lb	\$315.00
15,000 lb	158375	7 lb	\$715.00
20,000 lb	158376	13 lb	\$950.00
Conduit Adapter Kit* (must be factory installed to maintain warranty)			
3/8-24 nipple	31533*	1 lb	\$40.00
3/8-24 to 1/4-18 NPT	31534*	1 lb	\$40.00

* PN 31533 and PN 31534 must be installed together to form the Conduit Adapter Kit

Dimensions

Rated Capacity	A	B	C	D	E
lb/in					
50 to 300	1/4-28 UNF	0.65	0.46	2.00	2.40
500 to 1,000	1/2-20 UNF	0.90	0.71	2.00	2.40
2,500	1/2-20 UNF	1.15	0.96	2.00	2.40
3,000	1/2-20 UNF	1.15	0.96	3.00	3.90
5,000	3/4-16 UNF	1.15	0.96	3.00	3.90
10,000	3/4-16 UNF	1.40	1.21	3.00	3.90
15,000	1-14 UNS	1.63	1.46	3.44	5.50
20,000	1 1/4-12 UNF	1.88	1.68	4.44	7.00

Interchangeable Products

VPG® REVERE
9363 page 244
ARTECH®
20210

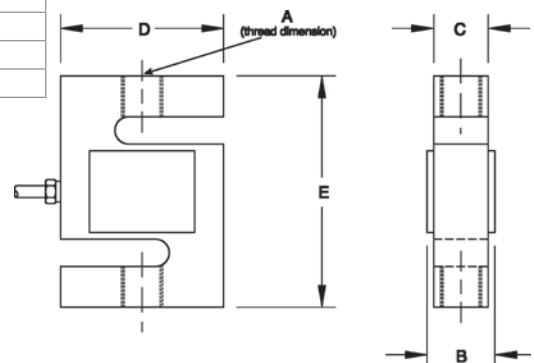
Weigh Module Available

RICE LAKE WEIGHING SYSTEMS
ITCM Isolated Tension Cell Mount.....page 34

Specifications

- Full Scale Output:**
3.0 (± 0.008) mV/V
- Output Resistance:**
350 (± 3.5) ohm
- Input Resistance:**
390 (± 15) ohm
- Material/Finish:**
Stainless steel
- Temperature:**
Compensated:
14 °F to 104 °F (-10 °C to 40 °C)
Operating:
0 °F to 150 °F (-18 °C to 65 °C)
- Seal Type:**
Environmentally sealed, IP67
- Safe Overload:**
150% full scale
- Rated Excitation:**
5 to 10 VDC (15 V maximum)
- Combined Error:**
0.03% full scale
- Insulation Resistance:**
5,000 megohm
- Cable Length:**
20 ft
- Cable Color Code:**
Red +Excitation
Black -Excitation
Green +Signal
White -Signal
- Warranty:**
Two-year limited
- Approvals:**
NTEP 98-078
cFMus

**RICE LAKE
LOAD CELLS**



RL2000ST

Stainless Steel, Environmentally Sealed, NTEP Certified 1:10,000 Class III Single Cell, IP67



Picture is a representation of actual product.

Approvals



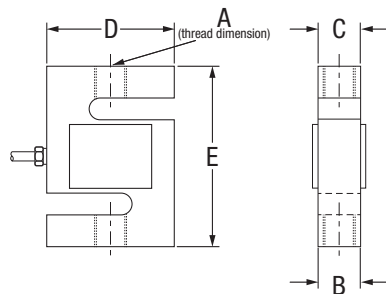
Order Information

Load Rating	Part #	Est. Weight	Price
50 lb	72741	2 lb	\$335.00
100 lb	72742	2 lb	\$335.00
200 lb	72743	2 lb	\$335.00
250 lb	72744	2 lb	\$335.00
300 lb	72745	2 lb	\$335.00
500 lb	72746	2 lb	\$335.00
750 lb	72747	2 lb	\$335.00
1,000 lb	72748	2 lb	\$335.00
1,500 lb	72749	2 lb	\$335.00
2,000 lb	72750	2 lb	\$335.00
2,500 lb	72751	2 lb	\$335.00
3,000 lb	72752	4 lb	\$440.00
5,000 lb	72753	4 lb	\$545.00
Conduit Adapter Kit* (must be factory installed to maintain warranty)			
3/8-24 nipple	31533*	1 lb	\$40.00
3/8-24 to 1/4-18 NPT	31534*	1 lb	\$40.00

*PN 31533 and PN 31534 must be installed together to form the Conduit Adapter Kit.

Dimensions

Rated Capacity	A	B	C	D	E
50 to 300 lb/in	1/4-28 UNF	0.65	0.46	2.00	2.40
500 to 1,000	1/2-20 UNF	0.90	0.71	2.00	2.40
1,500 to 2,500	1/2-20 UNF	1.15	0.96	2.00	2.40
3,000	1/2-20 UNF	1.15	0.96	3.00	3.90
5,000	3/4-16 UNF	1.15	0.96	3.00	3.90



Specifications

- Full Scale Output:** 3.0 mV/V
- Output Resistance:** 350 (± 3.5) ohm
- Input Resistance:** 430 (± 60) ohm
- Material/Finish:** Stainless steel
- Temperature:** Compensated: 14 °F to 104 °F (-10 °C to 40 °C)
Operating: 0 °F to 150 °F (-18 °C to 65 °C)
- Seal Type:** Environmentally sealed, IP67
- Safe Overload:** 150% full scale
- Rated Excitation:** 5 to 10 VDC (15 V maximum)
- Combined Error:** 0.03% full scale
- Insulation Resistance:** 5,000 megohm
- Cable Length:** 20 ft
- Cable Diameter:** 0.190 in
Polyurethane jacket
- Cable Color Code:** Red +Excitation
Black -Excitation
Green +Signal
White -Signal
- Warranty:** Two-year limited
- Approvals:** NTEP 03-007
FM



Picture is a representation of actual product.

Approvals



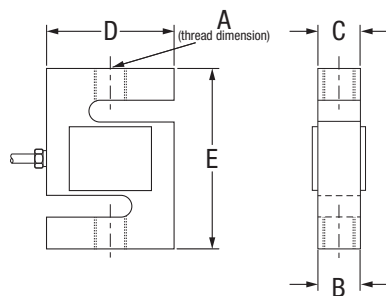
Order Information

Load Rating	Part #	Est. Weight	Price
250 lb	21402	2 lb	\$290.00
500 lb	21403	2 lb	\$290.00
750 lb	21404	2 lb	\$290.00
1,000 lb	21405	2 lb	\$290.00
1,500 lb	21406	2 lb	\$290.00
2,000 lb	21407	3 lb	\$290.00
2,500 lb	21408	4 lb	\$290.00
3,000 lb	21409	3 lb	\$335.00
5,000 lb	21410	4 lb	\$470.00
10,000 lb	21411	5 lb	\$470.00
15,000 lb	21412	7 lb	\$590.00
20,000 lb	21413	16 lb	\$925.00
Conduit Adapter Kit* (must be factory installed to maintain warranty)			
3/8-24 nipple	31533*	1 lb	\$40.00
3/8-24 to 1/4-18 NPT	31534*	1 lb	\$40.00

*PN 31533 and PN 31534 must be installed together to form the Conduit Adapter Kit

Dimensions

Rated Capacity	A	B	C	D	E
lb/in					
250	3/8-24 UNF	0.75	0.50	2.00	3.00
500 to 2,000	1/2-20 UNF	1.00	0.75	2.00	3.00
2,500 to 3,000	1/2-20 UNF	1.25	1.00	2.00	3.00
5,000	3/4-16 UNF	1.25	1.00	3.00	4.25
10,000	3/4-16 UNF	1.25	1.00	3.50	4.75
15,000	1-14 UNS	1.50	1.25	4.00	5.50
20,000	1 1/4-12 UNF	2.25	2.00	5.00	7.00



Interchangeable Products

- VPG® CELTRON®
STC.....page 188
- VPG® SENSORTRONICS®
60001.....page 275

Weigh Module Available

- RICE LAKE WEIGHING SYSTEMS
ITCM Isolated Tension Cell Mount.....page 34

Specifications

- Full Scale Output:**
3.0 mV/V
- Output Resistance:**
350 (± 3) ohm
- Input Resistance:**
385 (± 5) ohm
- Material/Finish:**
High-alloy steel, nickel plated
- Temperature:**
Compensated:
14 °F to 104 °F (-10 °C to 40 °C)
Operating:
0 °F to 150 °F (-18 °C to 65 °C)
- Seal Type:**
Environmentally sealed, IP67
- Safe Overload:**
150% full scale
- Rated Excitation:**
5 to 10 VAC (15 V maximum)
- Combined Error:**
0.02% full scale
- Insulation Resistance:**
5,000 megohm
- Cable Length:**
20 ft
- Cable Diameter:**
0.200 in
Polyurethane jacket
- Cable Color Code:**
Red +Excitation
Black -Excitation
Green +Signal
White -Signal
- Warranty:**
Two-year limited
- Approvals:**
NTEP 91-046
cFMus

**RICE LAKE
LOAD CELLS**

RL20001HE

Stainless Steel, Welded Seal, NTEP Certified 1:5,000 Class III/1:10,000 Class III L Single Cell, IP68



Picture is a representation of actual product.

Approvals

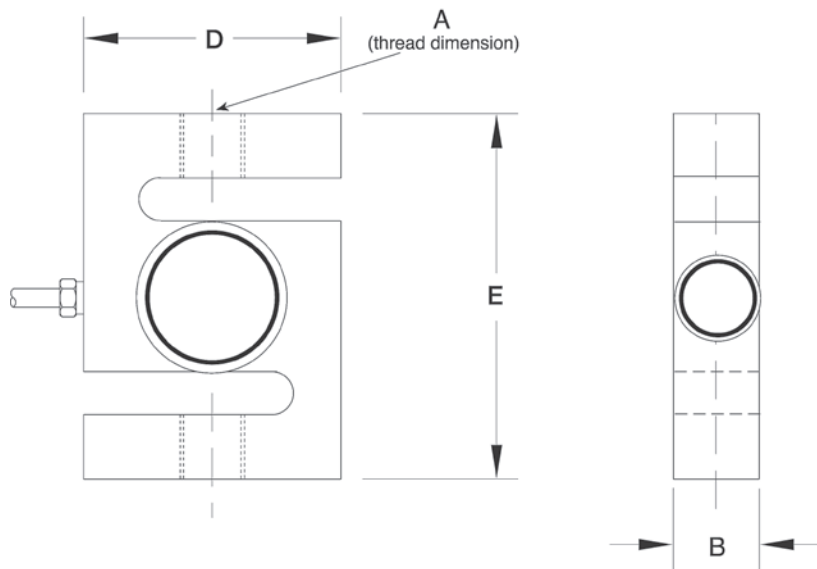


Order Information

Load Rating	Part #	Est. Weight	Price
NTEP Certified			
500 lb	46469	2 lb	\$900.00
750 lb	46470	2 lb	\$900.00
1,000 lb	46471	2 lb	\$900.00
1,500 lb	46472	2 lb	\$900.00
2,000 lb	46473	2 lb	\$900.00
2,500 lb	46474	2 lb	\$900.00
3,000 lb	46475	2 lb	\$900.00
5,000 lb	46476	5 lb	\$1,200.00
Non-NTEP Certified			
10,000 lb	36292	5 lb	\$1,205.00

Dimensions

Rated Capacity	A	B	D	E
lb/in				
500 to 3,000	1/2-20 UNF	1.00	2.00	3.00
5,000 to 10,000	3/4-16 UNF	1.00	3.50	4.75



Interchangeable Products

VPG® SENSORTRONICS®
60063page 277

Weigh Module Available

RICE LAKE WEIGHING SYSTEMS
ITCM HE Isolated Tension Cell Mount..... page 36

Specifications

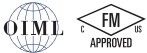
- Full Scale Output:**
2.0 mV/V
- Bridge Resistance:**
350 ohm, nominal
- Material/Finish:**
Stainless steel
- Temperature:**
Compensated:
14 °F to 104 °F (-10 °C to 40 °C)
Operating:
0 °F to 150 °F (-18 °C to 65 °C)
- Seal Type:**
Welded-seal, IP68
- Safe Overload:**
150% full scale
- Rated Excitation:**
5 to 10 VDC (15 V maximum)
- Combined Error:**
0.02% full scale
- Insulation Resistance:**
5,000 megohm
- Cable Length:**
20 ft
- Cable Diameter:**
0.200 in
Polyurethane jacket
- Cable Color Code:**
Red +Excitation
Black -Excitation
Green +Signal
White -Signal
- Warranty:**
Two-year limited
- Approvals:**
NTEP 98-071
cFMus

RICE LAKE
LOAD CELLS



Picture is a representation of actual product.

Approvals

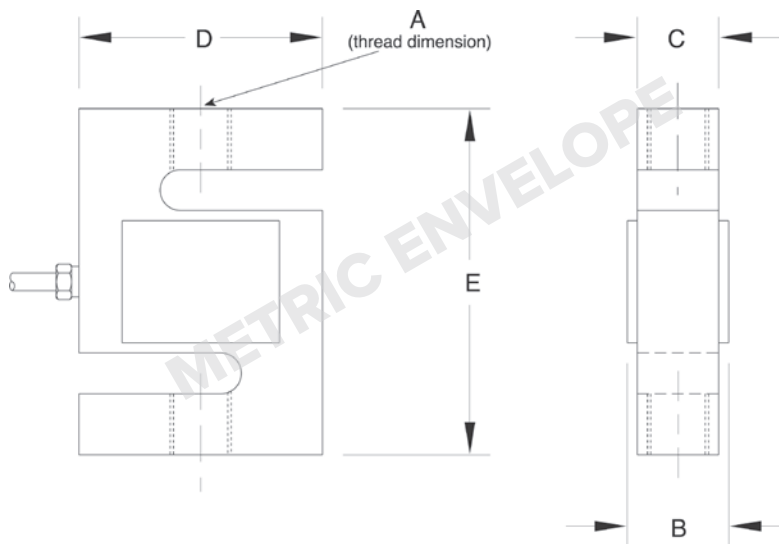


Order Information

Load Rating	Part #	Est. Weight	Price
250 kg	31254	2 lb	\$315.00
500 kg	31255	2 lb	\$315.00
1,000 kg	31256	2 lb	\$315.00
2,500 kg	31257	3 lb	\$485.00

Dimensions

Rated Capacity	A	B	C	D	E
kg/mm					
250 to 1,000	M12 × 1.75-6H	25.4	19.1	50.8	76.0
2,500	M20 × 1.5-6H	31.8	25.4	76.2	108.0



Specifications

- Full Scale Output:**
3.0 mV/V ± 0.25%
- Bridge Resistance:**
350 ohm, nominal
- Material/Finish:**
Alloy steel
- Temperature:**
Operating:
0 °F to 150 °F (-18 °C to 65 °C)
- Seal Type:**
Environmentally sealed, IP67
- Safe Overload:**
150% full scale
- Rated Excitation:**
5 to 10 VAC/DC (15V maximum)
- Combined Error:**
0.02% full scale
- Insulation Resistance:**
5,000 megohm
- Cable Length:**
6 m
- Cable Diameter:**
5 mm
Polyurethane jacket
- Cable Color Code:**
Red +Excitation
Black -Excitation
Green +Signal
White -Signal
- Warranty:**
Two-year limited
- Approvals:**
OIML R60/1991-GB-95-09
cFMus

**RICE LAKE
LOAD CELLS**

RL32022

Alloy Steel, Environmentally Sealed, OIML C3, IP67



Picture is a representation of actual product.

Approvals



Order Information

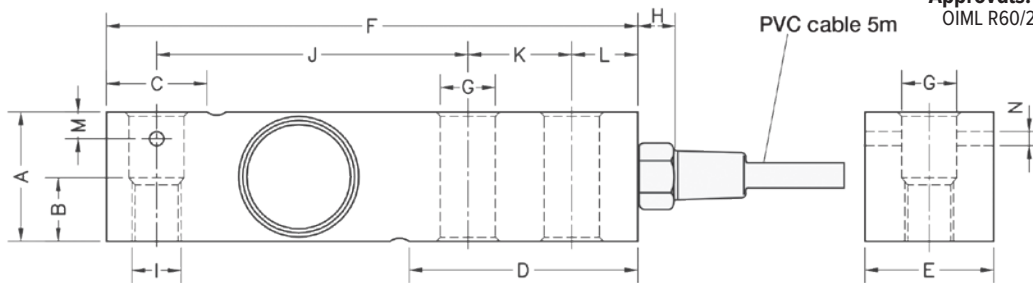
Load Rating	Part #	Est. Weight	Price
300 kg	211630	0.9 kg	\$315.00
500 kg	211631	0.9 kg	\$315.00
750 kg	211632	0.9 kg	\$315.00
1,000 kg	211633	0.9 kg	\$315.00
1,500 kg	211634	0.9 kg	\$315.00
2,000 kg	211635	0.9 kg	\$315.00

Dimensions

Rated Capacity	A	B	C	D	E	F	G	H	I	J	K	L	M	N
kg/mm														
300 to 2,000	31.5	15.0	34.6	56.0	31.5	130.0	13.5	18.0	M12	76.2	25.4	15.8	6.5	3.5

Specifications

- Full Scale Output:**
2.0 mV/V ± 0.05%
mV/V/ohm calibration
- Output Resistance:**
350 (± 3) ohm
- Input Resistance:**
400 (± 20) ohm
- Material/Finish:**
Alloy steel, nickel plated
- Temperature:**
Compensated:
-14 °F to 104 °F (-10 °C to 40 °C)
Operating:
0 °F to 150 °F (-18 °C to 65 °C)
- Seal Type:**
Environmentally sealed, IP67
- Safe Overload:**
150% full scale
- Safe Sideload:**
100% full scale
- Rated Excitation:**
10 VDC (15 V maximum)
- Combined Error:**
0.017% full scale
- Insulation Resistance:**
> 5,000 megohm
- Deflection at Capacity:**
0.2 to 0.4 mm
- Cable Length:**
5 m
- Cable Color Code:**
Green +Excitation
Black -Excitation
Red +Signal
White -Signal
- Warranty:**
Two-year limited
- Approvals:**
OIML R60/2017-A-NL1-22.11



RICE LAKE
LOAD CELLS



Picture is a representation of actual product.

Approvals



Order Information

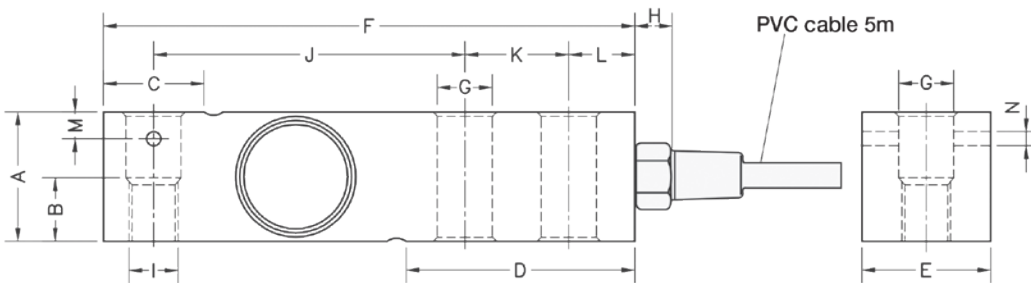
Load Rating	Part #	Est. Weight	Price
300 kg	211636	0.9 kg	\$350.00
500 kg	211637	0.9 kg	\$350.00
750 kg	211638	0.9 kg	\$350.00
1,000 kg	211639	0.9 kg	\$350.00
1,500 kg	211640	0.9 kg	\$350.00
2,000 kg	211641	0.9 kg	\$350.00
3,000 kg	211642	2.2 kg	\$445.00
5,000 kg	211643	2.2 kg	\$445.00

Dimensions

Rated Capacity	A	B	C	D	E	F	G	H	I	J	K	L	M	N
kg/mm														
300 to 2,000	31.5	15.0	34.6	56.0	31.5	130.0	13.5	18.0	M12	76.2	25.4	15.8	6.5	3.5
3,000 to 5,000	48.0	-	37.0	76.0	41.5	171.5	20.5	18.0	-	95.2	38.1	19.0	-	-

Specifications

- Full Scale Output:**
2.0 mV/V \pm 0.05%
mV/V/ohm calibration
- Output Resistance:**
350 (\pm 3) ohm
- Input Resistance:**
400 (\pm 20) ohm
- Material/Finish:**
Stainless steel
- Temperature:**
Compensated:
-14 °F to 104 °F (-10 °C to 40 °C)
Operating:
0 °F to 150 °F (-18 °C to 65 °C)
- Seal Type:**
Hermetically sealed, IP69K
- Safe Overload:**
150% full scale
- Safe Sideload:**
100% full scale
- Rated Excitation:**
10 VDC (15 V maximum)
- Combined Error:**
0.017% full scale
- Insulation Resistance:**
> 5,000 megohm
- Deflection at Capacity:**
0.2 to 0.4 mm
- Cable Length:**
5 m
- Cable Color Code:**
Green +Excitation
Black -Excitation
Red +Signal
White -Signal
- Warranty:**
Two-year limited
- Approvals:**
OIML R60/2017-A-NL1-22.11



RL32018

Alloy Steel, Environmentally Sealed, NTEP Certified 1:5,000 Class III Multiple Cell, IP66



Picture is a representation of actual product.

Approvals



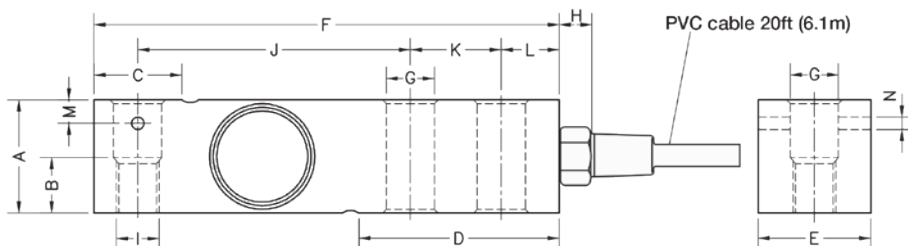
Order Information

Load Rating	Part #	Est. Weight	Price
NTEP Certified			
500 lb*	189151	2 lb	\$315.00
1,000 lb	189152	2 lb	\$315.00
1,500 lb	191732	2 lb	\$315.00
2,000 lb	189153	2 lb	\$315.00
2,500 lb	189154	2 lb	\$315.00
3,000 lb	189155	5 lb	\$315.00
4,000 lb	189156	5 lb	\$315.00
5,000 lb SE	189157	5 lb	\$315.00
5,000 lb LE	189158	5 lb	\$400.00
10,000 lb	189159	5 lb	\$400.00
Non-NTEP Certified			
250 lb	189150	2 lb	\$315.00
15,000 lb	189160	10 lb	\$685.00
20,000 lb	189161	10 lb	\$685.00
With Overbraided Cable			
2,500 lb	209166	10 lb	\$350.00
20,000 lb	197558	10 lb	\$770.00

SE=small envelope; LE=large envelope
* Pending NTEP

Dimensions

Rated Capacity	A	B	C	D	E	F	G	H	I	J	K	L	M	N
250 to 500	1.00	0.59	0.96	2.20	1.24	5.12	0.53	0.70	1/2-20 UNF	3.00	1.00	0.62	0.25	0.13
1,000 to 5,000 SE	1.24	0.59	0.96	2.20	1.24	5.12	0.53	0.70	1/2-20 UNF	3.00	1.00	0.62	0.25	0.13
5,000 LE to 10,000	1.50	0.75	1.45	2.99	1.50	6.75	0.80	0.70	3/4-16 UNF	3.75	1.50	0.75	-	-
15,000 to 20,000	2.00	-	-	4.00	2.00	8.75	1.06	-	1-14 UNS	4.90	2.00	1.00	-	-



Interchangeable Products

- VPG® SENSORTRONICS®
65023A.....page 281
- VPG® CELTRON®
SQB.....page 191

Weigh Module Available

- RICE LAKE WEIGHING SYSTEMS
RL50210TA..... page 39
- RICE LAKE WEIGHING SYSTEMS
RL1800 Series..... page 50

Specifications

- Full Scale Output:**
3.0 mV/V ± 0.05%
mV/V/ohm calibration
- Output Resistance:**
350 (± 3) ohm
- Input Resistance:**
400 (± 20) ohm
- Material/Finish:**
Alloy steel, nickel plated
- Temperature:**
Compensated:
-14 °F to 104 °F (-10 °C to 40 °C)
Operating:
0 °F to 150 °F (-18 °C to 65 °C)
- Seal Type:**
Environmentally sealed, IP66
- Safe Overload:**
150% full scale
- Safe Sideload:**
100% full scale
- Rated Excitation:**
10 VDC (15 V maximum)
- Combined Error:**
0.017% full scale
- Insulation Resistance:**
> 5,000 megohm
- Deflection at Capacity:**
0.2 to 0.4 mm
- Cable Length:**
20 ft
- Cable Color Code:**
Red +Excitation
Black -Excitation
Green +Signal
White -Signal
- Warranty:**
Two-year limited
- Approvals:**
NTEP 18-106
cFMus FM18US0307X

RICE LAKE
LOAD CELLS

SINGLE-ENDED BEAM
RL32018 MLC Coated

Alloy Steel, Environmentally Sealed, NTEP Certified 1:5,000 Class III Multiple Cell, IP66



Picture is a representation of actual product.

Approvals



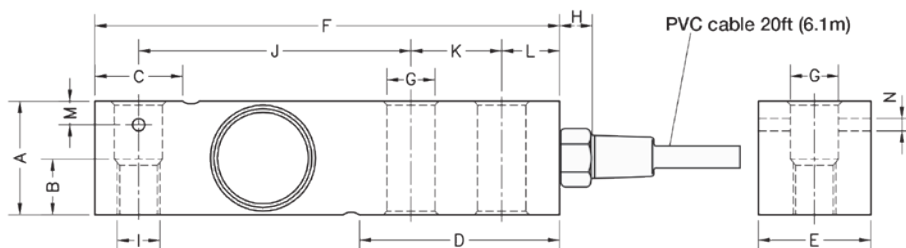
Order Information

Load Rating	Part #	Est. Weight	Price
NTEP Certified			
1,000 lb	207842	2 lb	\$345.00
1,500 lb	207843	2 lb	\$345.00
2,000 lb	207844	2 lb	\$345.00
2,500 lb	207845	2 lb	\$345.00
3,000 lb	207846	5 lb	\$345.00
4,000 lb	207847	5 lb	\$345.00
5,000 lb SE	207848	5 lb	\$345.00
5,000 lb LE	207850	5 lb	\$435.00
10,000 lb	207851	5 lb	\$435.00
Non-NTEP Certified			
15,000 lb	207852	10 lb	\$715.00
20,000 lb	207853	10 lb	\$715.00

SE=small envelope; LE=large envelope

Dimensions

Rated Capacity	A	B	C	D	E	F	G	H	I	J	K	L	M	N
1,000 to 5,000 SE	1.24	0.59	0.96	2.20	1.24	5.12	0.53	0.70	1/2-20 UNF	3.00	1.00	0.62	0.25	0.13
5,000 LE to 10,000	1.50	-	1.45	2.99	1.50	6.75	0.80	0.70	3/4-16 UNF	3.75	1.50	0.75	-	-
15,000 to 20,000	2.00	-	-	4.00	2.00	8.75	1.06	-	1-14 UNS	4.90	2.00	1.00	-	-



Weigh Module Available

- RICE LAKE WEIGHING SYSTEMS
RL50210TA..... page 39
- RICE LAKE WEIGHING SYSTEMS
RL1800 Series..... page 52

Specifications

- Full Scale Output:**
 3.0 mV/V ± 0.05%
 mV/V/ohm calibration
- Output Resistance:**
 350 (± 3) ohm
- Input Resistance:**
 400 (± 20) ohm
- Material/Finish:**
 Alloy steel, nickel plated, coated
- Temperature:**
 Compensated:
 -14 °F to 104 °F (-10 °C to 40 °C)
 Operating:
 0 °F to 150 °F (-18 °C to 65 °C)
- Seal Type:**
 Environmentally sealed, IP66
- Safe Overload:**
 150% full scale
- Safe Sideload:**
 100% full scale
- Rated Excitation:**
 10 VDC (15 V maximum)
- Combined Error:**
 0.017% full scale
- Insulation Resistance:**
 > 5,000 megohm
- Deflection at Capacity:**
 0.2 to 0.4 mm
- Cable Length:**
 20 ft
- Cable Color Code:**
 Red +Excitation
 Black -Excitation
 Green +Signal
 White -Signal
- Warranty:**
 Two-year limited
- Approvals:**
 NTEP 18-106
 cFMus

**RICE LAKE
 LOAD CELLS**

SINGLE-ENDED BEAM
RL32018S

Stainless Steel, Environmentally Sealed, NTEP Certified 1:5,000 Class III Multiple Cell, IP66



Picture is a representation of actual product.

Approvals



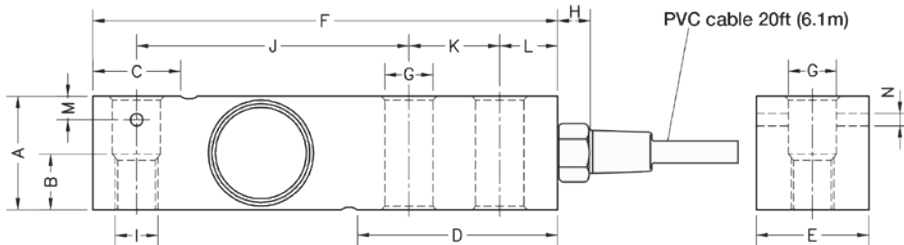
Order Information

Load Rating	Part #	Est. Weight	Price
NTEP Certified			
500 lb*	189163	3 lb	\$345.00
1,000 lb	189164	3 lb	\$345.00
2,000 lb	189165	3 lb	\$345.00
2,500 lb	189166	3 lb	\$345.00
4,000 lb	189167	3 lb	\$345.00
5,000 lb SE	189168	3 lb	\$345.00
5,000 lb LE	189169	5 lb	\$440.00
10,000 lb	189170	5 lb	\$440.00
Non-NTEP Certified			
250 lb	189162	3 lb	\$345.00
15,000 lb	189171	10 lb	\$740.00
20,000 lb	189172	10 lb	\$740.00

SE=small envelope; LE=large envelope
*Pending NTEP

Dimensions

Rated Capacity	A	B	C	D	E	F	G	H	I	J	K	L	M	N
lb/in														
250 to 500	1.00	0.59	0.96	2.20	1.24	5.12	0.53	0.70	1/2-20 UNF	3.00	1.00	0.62	0.25	0.13
1,000 to 5,000 SE	1.24	0.59	0.96	2.20	1.24	5.12	0.53	0.70	1/2-20 UNF	3.00	1.00	0.62	0.25	0.13
5,000 LE to 10,000	1.50	-	1.45	2.99	1.50	6.75	0.80	0.70	3/4-16 UNF	3.75	1.50	0.75	-	-
15,000 to 20,000	2.00	-	-	4.00	2.00	8.75	1.06	-	1-14 UNS	4.90	2.00	1.00	-	-



Interchangeable Products

- RICE LAKE WEIGHING SYSTEMS
RL35023S
- VPG® SENSORTRONICS®
65023S..... page 283
- VPG SENSORTRONICS
65023SS..... page 282
- VPG® CELTRON®
SQB-HSS..... page 192

Weigh Module Available

- RICE LAKE WEIGHING SYSTEMS
RL50210TA..... page 39
- RICE LAKE WEIGHING SYSTEMS
RL1800 Series..... page 50

Specifications

- Full Scale Output:**
3.0 mV/V ± 0.05%
mV/V/ohm calibration
- Output Resistance:**
350 (± 3) ohm
- Input Resistance:**
400 (± 20) ohm
- Material/Finish:**
Stainless steel
- Temperature:**
Compensated:
14 °F to 104 °F (-10 °C to 40 °C)
Operating range
0 °F to 150 °F (-18 °C to 65 °C)

Seal Type:
Environmentally sealed, IP66

Safe Overload:
150% full scale

Rated Excitation:
10 VDC (15 V maximum)

Combined Error:
0.017% full scale

Insulation Resistance:
> 5,000 megohm

Deflection at Capacity:
0.2 to 0.4 mm

Cable Length:
20 ft

Cable Color Code:
Red +Excitation
Black -Excitation
Green +Signal
White -Signal

Warranty:
Two-year limited

Approvals:
NTEP 18-106
cFMus

RICE LAKE
LOAD CELLS



Picture is a representation of actual product.

Approvals



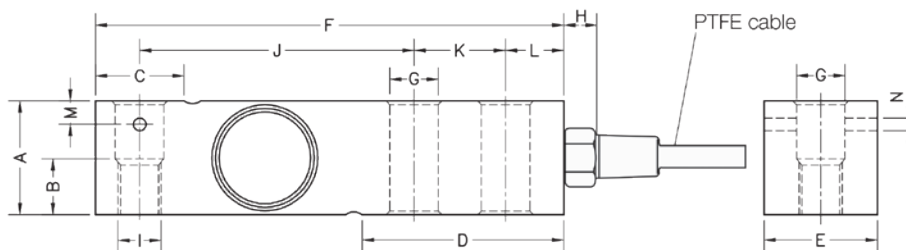
Order Information

Load Rating	Part #	Est. Weight	Price
1,000 lb	190654	3 lb	\$375.00
2,000 lb	190655	3 lb	\$375.00
2,500 lb	190656	3 lb	\$375.00
4,000 lb	190657	3 lb	\$375.00
5,000 lb SE	190658	3 lb	\$375.00
5,000 lb LE	190659	5 lb	\$415.00
10,000 lb	190660	5 lb	\$415.00

SE=small envelope; LE=large envelope

Dimensions

Rated Capacity	A	B	C	D	E	F	G	H	I	J	K	L	M	N
lb/in														
1,000 to 5,000 SE	1.24	0.59	0.96	2.20	1.25	5.12	0.53	0.70	1/2-20 UNF	3.00	1.00	0.62	0.25	0.13
5,000 LE to 10,000	1.50	—	1.45	2.99	1.50	6.75	0.80	0.70	3/4-16 UNF	3.75	1.50	0.75	—	—



Interchangeable Products

- RICE LAKE WEIGHING SYSTEMS
- RL32018S-HE.....page 108
- VPG® SENSORTRONICS®
- 65083.....page 284
- VPG® CELTRON®
- SQB-HSS.....page 192

Weigh Module Available

- RICE LAKE WEIGHING SYSTEMS
- RL1800 Series.....page 50

Specifications

- Full Scale Output:**
3.0 mV/V ± 0.05%
mV/V/ohm calibration
- Output Resistance:**
350 (± 3) ohm
- Input Resistance:**
400 (± 20) ohm
- Material/Finish:**
Stainless steel
- Temperature:**
Compensated:
-14 °F to 104 °F (-10 °C to 40 °C)
Operating:
0 °F to 150 °F (-18 °C to 65 °C)
- Seal Type:**
Hermetically sealed, IP69K
- Safe Overload:**
150% full scale
- Safe Sideload:**
100% full scale
- Rated Excitation:**
10 VDC (15 V maximum)
- Combined Error:**
0.017% full scale
- Insulation Resistance:**
> 5,000 megohm
- Deflection at Capacity:**
0.2 to 0.4 mm
- Cable Length:**
20 ft PTFE cable
- Cable Color Code:**
Red +Excitation
Black -Excitation
Green +Signal
White -Signal
- Warranty:**
Two-year limited
- Approvals:**
cFMus

**RICE LAKE
LOAD CELLS**

SINGLE-ENDED BEAM
RL32018S-HE

Stainless Steel, Hermetically Sealed, NTEP Certified 1:5,000 Class III Multiple Cell, IP69K



Picture is a representation of actual product.

Approvals



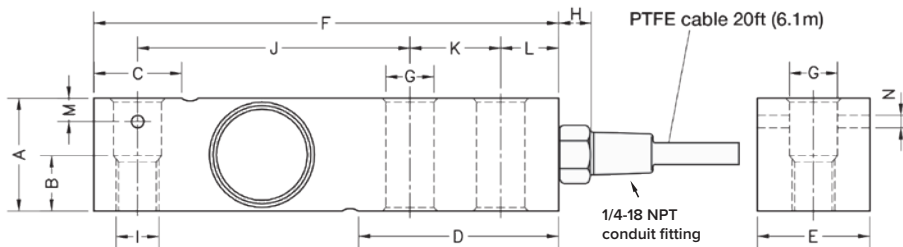
Order Information

Load Rating	Part #	Est. Weight	Price
500 lb	189175	3 lb	\$430.00
1,000 lb	189176	3 lb	\$430.00
2,000 lb	189178	3 lb	\$430.00
2,500 lb	189179	3 lb	\$430.00
4,000 lb	189181	3 lb	\$430.00
5,000 lb SE	208667	3 lb	\$430.00
5,000 lb LE	189182	5 lb	\$475.00
10,000 lb	189183	5 lb	\$475.00

SE=small envelope; LE=large envelope

Dimensions

Rated Capacity	A	B	C	D	E	F	G	H	I	J	K	L	M	N
lb/in														
500 to 5,000 SE	1.24	0.59	0.96	2.20	1.24	5.12	0.53	0.70	1/2-20 UNF	3.00	1.00	0.62	0.25	0.13
5,000 to 10,000	1.50	0.75	1.45	2.99	1.50	6.75	0.80	0.70	3/4-16 UNF	3.75	1.50	0.75	-	-



RICE LAKE
LOAD CELLS

Interchangeable Products

- RICE LAKE WEIGHING SYSTEMS
RL32018S-P (non-NTEP) . page 107
- VPG® SENSORTRONICS®
65083..... page 284
- VPG® CELTRON®
SQB-HSS..... page 192

Weigh Module Available

- RICE LAKE WEIGHING SYSTEMS
RL1800 Series..... page 50

Specifications

- Full Scale Output:**
 3.0 mV/V ±0.05%
 mV/V/ohm calibration
- Output Resistance:**
 350 (±3) ohm
- Input Resistance:**
 400 (±20) ohm
- Material/Finish:**
 Stainless steel
- Temperature:**
 Compensated:
 14 °F to 104 °F (-10 °C to 40 °C)
 Operating:
 0 °F to 150 °F (-18 °C to 93 °C)
- Seal Type:**
 Hermetically sealed, IP69K
- Safe Overload:**
 150% full scale
- Safe Sideload:**
 100% full scale
- Rated Excitation:**
 5 to 10 VDC (15 V maximum)
- Combined Error:**
 0.017% full scale
- Insulation Resistance:**
 >5,000 megohm
- Cable Length:**
 20 ft PTFE cable
- Cable Color Code:**
 Red +Excitation
 Black -Excitation
 Green +Signal
 White -Signal
- Warranty:**
 Two-year limited
- Approvals:**
 NTEP 18-106
 cFMus



Picture is a representation of actual product.

Approvals



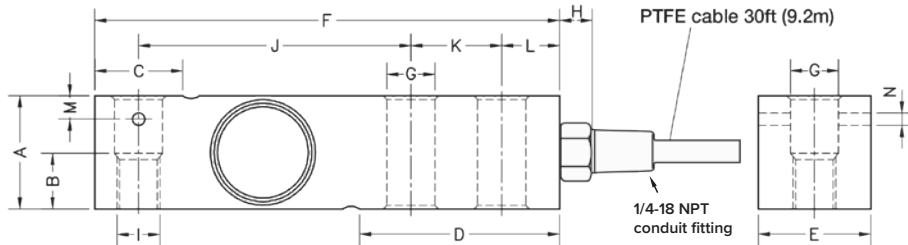
Order Information

Load Rating	Part #	Est. Weight	Price
1,000 lb	191629	4 lb	\$450.00
2,500 lb	191630	4 lb	\$450.00
4,000 lb	191631	4 lb	\$450.00
5,000 lb SE	208668	4 lb	\$450.00
5,000 lb LE	191632	6 lb	\$495.00
10,000 lb	191633	6 lb	\$495.00

SE=small envelope; LE=large envelope

Dimensions

Rated Capacity lb/in	A	B	C	D	E	F	G	H	I	J	K	L	M	N
1,000 to 5,000 SE	1.24	0.59	0.96	2.20	1.24	5.12	0.53	0.70	1/2-20 UNF	3.00	1.00	0.62	0.25	0.13
5,000 LE to 10,000	1.50	0.75	1.45	2.99	1.50	6.75	0.80	0.70	3/4-16 UNF	3.75	1.50	0.75	—	—



Interchangeable Products

RICE LAKE WEIGHING SYSTEMS
RL35082
VPG® SENSORTRONICS®
65083S (20 ft cable)..... page 285

Specifications

- Full Scale Output:**
2.0 mV/V ± 0.05%
mV/V/ohm calibration
- Output Resistance:**
350 (± 3) ohm
- Input Resistance:**
400 (± 20) ohm
- Material/Finish:**
Stainless steel
- Temperature:**
Compensated:
14 °F to 104 °F (-10 °C to 40 °C)
Operating:
0 °F to 150 °F (-18 °C to 93 °C)
- Seal Type:**
Hermetically sealed, IP69K
- Safe Overload:**
150% full scale
- Rated Excitation:**
5 to 10 VDC (15 V maximum)
- Combined Error:**
0.017% full scale
- Insulation Resistance:**
> 5,000 megohm
- Deflection at Capacity:**
0.2 to 0.4 mm
- Cable Length:**
30 ft PTFE cable
- Cable Color Code:**
Red +Excitation
Black -Excitation
Green +Signal
White -Signal
- Warranty:**
Two-year limited
- Approvals:**
NTEP 18-106
cFMus

**RICE LAKE
LOAD CELLS**

RL32218S-HE

Stainless Steel, Hermetically Sealed, NTEP Certified 1:5,000 Class III Multiple Cell, IP69K



Picture is a representation of actual product.

Approvals



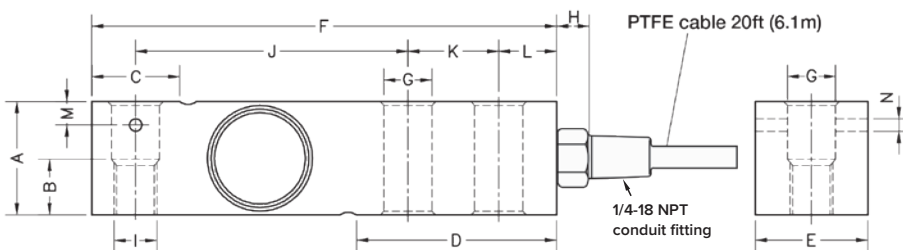
Order Information

Load Rating	Part #	Est. Weight	Price
RL32218S-HE PTFE Cable			
1,000 lb	191634	3 lb	\$430.00
2,500 lb	191635	3 lb	\$430.00
4,000 lb	191636	3 lb	\$430.00
5,000 lb SE	208669	3 lb	\$430.00
5,000 lb LE	191637	5 lb	\$475.00
10,000 lb	191638	5 lb	\$475.00
RL32218S-HE Rodent Protection Cable			
1,000 lb	223599	3 lb	\$440.00
2,500 lb	209620	3 lb	\$440.00
4,000 lb	223600	3 lb	\$440.00
5,000 lb LE	223601	5 lb	\$525.00
10,000 lb	222973	5 lb	\$525.00

SE=small envelope; LE=large envelope

Dimensions

Rated Capacity	A	B	C	D	E	F	G	H	I	J	K	L	M	N
1,000 to 5,000 SE	1.24	0.59	0.96	2.20	1.24	5.12	0.53	0.70	1/2-20 UNF	3.00	1.00	0.62	0.25	0.13
5,000 LE to 10,000	1.50	0.75	1.45	2.99	1.50	6.75	0.80	0.70	3/4-16 UNF	3.75	1.50	0.75	-	-



Interchangeable Products

- RICE LAKE WEIGHING SYSTEMS
RL35082
- RICE LAKE WEIGHING SYSTEMS
RL32019S-HE..... page 109
- VPG® SENSORTRONICS®
65083S..... page 285

Weigh Module Available

- RICE LAKE WEIGHING SYSTEMS
RL50210TA..... page 39
- RICE LAKE WEIGHING SYSTEMS
RL1800 Series..... page 50

Specifications

- Full Scale Output:**
2.0 mV/V ± 0.05%
mV/V/ohm calibration
- Output Resistance:**
350 (± 3) ohm
- Input Resistance:**
400 (± 20) ohm
- Material/Finish:**
Stainless steel
- Temperature:**
Compensated:
14 °F to 104 °F (-10 °C to 40 °C)
Operating:
0 °F to 150 °F (-18 °C to 93 °C)
- Seal Type:**
Hermetically sealed, IP69K
- Safe Overload:**
150% full scale
- Rated Excitation:**
5 to 10 VDC (15 V maximum)
- Combined Error:**
0.017% full scale
- Insulation Resistance:**
> 5,000 megohm
- Cable Length:**
20 ft
- Cable Color Code:**
Red +Excitation
Black -Excitation
Green +Signal
White -Signal
- Warranty:**
Two-year limited
- Approvals:**
NTEP 18-106
cFMus

RICE LAKE
LOAD CELLS



Picture is a representation of actual product.

Approvals

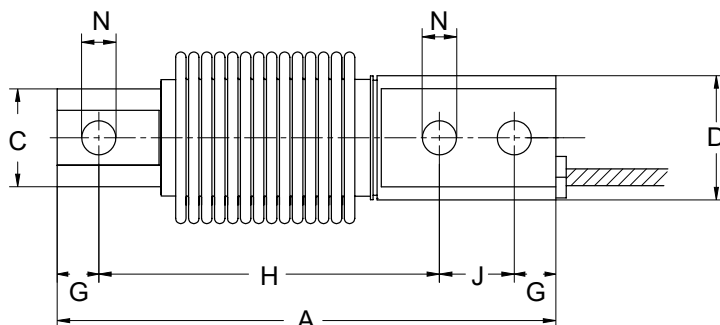
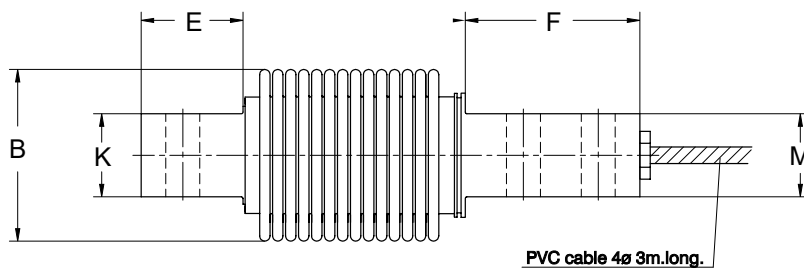


Order Information

Load Rating	Part #	Est. Weight	Price
NTEP Certified			
5 kg	188691	2 lb	\$525.00
10 kg	188692	2 lb	\$525.00
20 kg	188693	2 lb	\$525.00
30 kg	188694	2 lb	\$525.00
50 kg	188702	2 lb	\$525.00
75 kg	188695	2 lb	\$525.00
100 kg	188696	2 lb	\$525.00
200 kg	188697	2 lb	\$525.00
250 kg	188698	2 lb	\$525.00
300 kg	188699	2 lb	\$525.00
500 kg	188700	2 lb	\$525.00

Dimensions

Rated Capacity	A	B	C	D	E	F	G	H	J	K	M	N
kg/mm												
5 to 500	120.0	41.5	23.5	30.0	24.5	42.0	10.0	82.0	18.0	20.0	20.0	8.2



Interchangeable Products

RICE LAKE WEIGHING SYSTEMS
RLHBB

Specifications

- Full Scale Output:**
2.0 mV/V ± 10%
- Output Resistance:**
350 (± 3) ohm
- Input Resistance:**
400 (± 20) ohm
- Material/Finish:**
Stainless steel
- Temperature:**
Compensated:
14 °F to 104 °F (-10 °C to 40 °C)
Operating:
0 °F to 150 °F (-18 °C to 65 °C)
- Seal Type:**
Hermetically sealed, IP68/IP69K
- Safe Overload:**
150% full scale
- Rated Excitation:**
5 to 10 VDC (15 V maximum)
- Combined Error:**
0.017% full scale
- Insulation Resistance:**
> 5,000 megohm
- Deflection at Capacity:**
0.2 to 0.4 mm
- Cable Length:**
3 m
PVC cable
- Cable Color Code:**
Blue +Excitation
Black -Excitation
White +Signal
Red -Signal
Green +Sense
Yellow -Sense
- Warranty:**
Two-year limited
- Approvals:**
NTEP 18-107
OIML R60/2017-A-NL1-19.27
cFMus FM18US0307X

**RICE LAKE
LOAD CELLS**

SINGLE-ENDED BEAM
RL30000I

Alloy Steel, Environmentally Sealed, NTEP Certified 1:5,000 IIIIL Class III Multiple Cell, IP67



Picture is a representation of actual product.

Approvals



Order Information

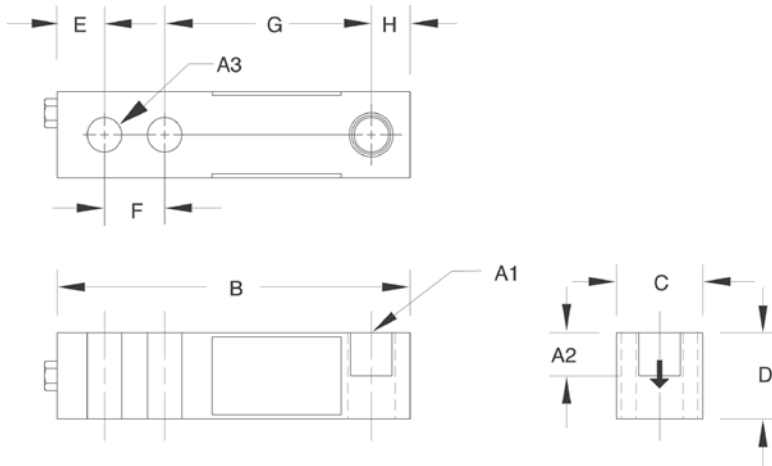
Load Rating	Part #	Est. Weight	Price
NTEP Certified			
1,000 lb	21491	3 lb	\$315.00
2,000 lb	21493	3 lb	\$315.00
2,500 lb	21495	3 lb	\$315.00
3,000 lb	21497	3 lb	\$315.00
4,000 lb	21498	3 lb	\$315.00
5,000 lb SE	21500	3 lb	\$315.00
5,000 lb LE	21501	5 lb	\$400.00
10,000 lb	21503	5 lb	\$400.00
Non-NTEP Certified			
250 lb	17341	3 lb	\$315.00
500 lb	17342	3 lb	\$315.00
20,000 lb	17109	10 lb	\$685.00
Conduit Adapter Kit (must be factory installed to maintain warranty)			
3/8-24 nipple	31533*	1 lb	\$40.00
3/8-24 to 1/4-18 NPT	31534*	1 lb	\$40.00

SE=small envelope; LE=large envelope

* PN 31533 and PN 31534 must be installed together to form the Conduit Adapter Kit

Dimensions

Rated Capacity	A1	A2	A3	B	C	D	E	F	G	H
250 to 5,000 SE	1/2-20 UNF	0.60	0.53	5.12	1.25	1.25	0.62	1.00	3.00	0.50
5,000 LE to 10,000	3/4-16 UNF	0.75	0.78	6.75	1.50	1.50	0.75	1.50	3.75	0.75
20,000	1-14 UNF	1.00	1.03	8.75	2.00	2.00	1.00	2.00	4.75	1.00



Interchangeable Products

VPG® REVERE

5123..... page 246

VPG® TEDEA-HUNTLEIGH®

3411..... page 306

ARTECH®

30310

Weigh Module Available

RICE LAKE WEIGHING SYSTEMS

RL50210TA..... page 39

RICE LAKE WEIGHING SYSTEMS

RL1800 Series..... page 50

Specifications

Full Scale Output:

3.0 mV/V

Output Resistance:

350 ± 3 ohm

Input Resistance:

385 ± 5 ohm

Material/Finish:

High-alloy steel, nickel plated

Temperature:

Compensated:
14 °F to 104 °F (-10 °C to 40 °C)

Operating:

0 °F to 150 °F (-18 °C to 65 °C)

Seal Type:

Environmentally sealed, IP67

Safe Overload:

150% full scale

Safe Sideload:

100% full scale

Rated Excitation:

5 to 10 VAC (15 V maximum)

Combined Error:

0.02% full scale

Insulation Resistance:

5,000 megohm

Deflection at Capacity:

250 to 1,000 lb: 0.013 in

2,000 to 3,000 lb: 0.015 in

4,000 to 5,000 lb: 0.025 in

10,000 lb: 0.032 in

20,000 lb: 0.038 in

Cable Length:

20 ft

Cable Diameter:

0.200 in

Polyurethane jacket

Cable Color Code:

Red +Excitation

Black -Excitation

Green +Signal

White -Signal

Warranty:

Two-year limited

Approvals:

NTEP 98-043

cFMus

RICE LAKE
LOAD CELLS

SINGLE-ENDED BEAM
RL30002 Thru Hole

Alloy Steel, Environmentally Sealed, NTEP Certified 1:5,000 IIII Class III Multiple Cell, IP67



Picture is a representation of actual product.

Approvals



Order Information

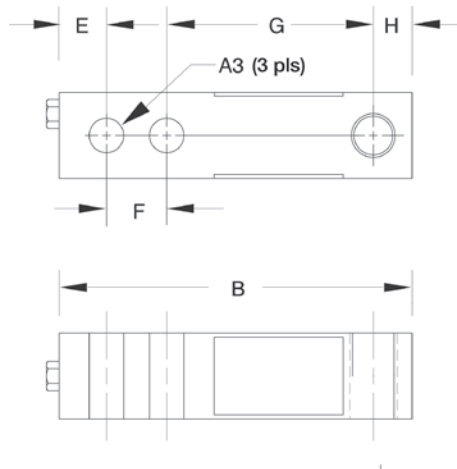
Load Rating	Part #	Est. Weight	Price
NTEP Certified			
1,000 lb	21521	3 lb	\$315.00
2,000 lb	21522	3 lb	\$315.00
2,500 lb	21523	3 lb	\$315.00
4,000 lb	21524	3 lb	\$315.00
5,000 lb SE	21525	3 lb	\$315.00
Conduit Adapter Kit (must be factory installed to maintain warranty)			
3/8-24 nipple	31533*	1 lb	\$40.00
3/8-24 to 1/4-18 NPT	31534*	1 lb	\$40.00

SE=small envelope

* PN 31533 and PN 31534 must be installed together to form the Conduit Adapter Kit

Dimensions

Rated Capacity	A3	B	C	D	E	F	G	H
lb/in								
1,000 to 5,000 SE	0.53	5.12	1.25	1.25	0.62	1.00	3.00	0.50



Interchangeable Products

VPG® TEDEA-HUNTLEIGH®
3410
 ARTECH®
30210

Specifications

Full Scale Output:
3.0 mV/V

Bridge Resistance:
350 ohm, nominal

Material/Finish:
High-alloy steel, nickel plated

Temperature:
Compensated:
14 °F to 104 °F (-10 °C to 40 °C)
Operating:
0 °F to 150 °F (-18 °C to 65 °C)

Seal Type:
Environmentally sealed, IP67

Safe Overload:
150% full scale

Safe Sideload:
100% full scale

Rated Excitation:
5 to 10 VDC (15 V maximum)

Combined Error:
0.02% full scale

Insulation Resistance:
5,000 megohm

Deflection at Capacity:
1,000 lb: 0.013 in
2,000 to 2,500 lb: 0.015 in
4,000 to 5,000 lb: 0.025 in

Cable Length:
20 ft

Cable Diameter:
0.200 in
Polyurethane jacket

Cable Color Code:
Red +Excitation
Black -Excitation
Green +Signal
White -Signal

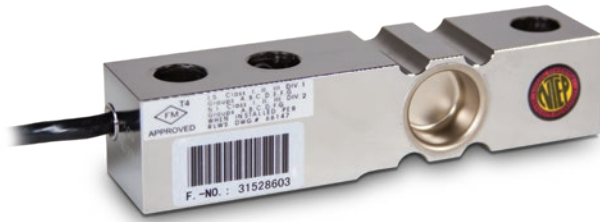
Warranty:
Two-year limited

Approvals:
NTEP 98-043
cFMus

**RICE LAKE
LOAD CELLS**

RLH35

Stainless Steel, Welded Seal, NTEP Certified 1:5,000 Class III L Multiple Cell, IP67



Picture is a representation of actual product.

Approvals

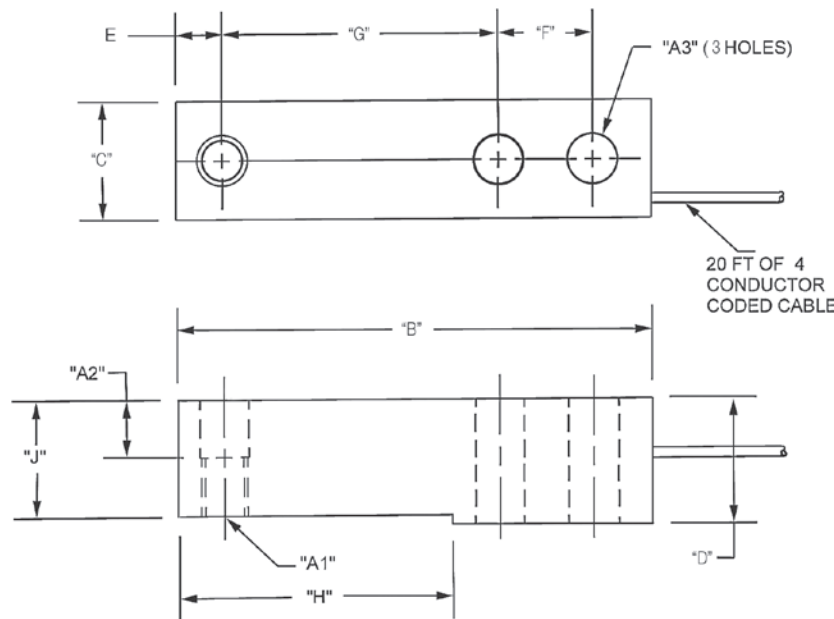


Order Information

Load Rating	Part #	Est. Weight	Price
500 lb	106038	4 lb	\$475.00

Dimensions

Rated Capacity	A1	A2	A3	C	D	B	E	F	G	H	J
500 lb/in	1/2-20 UNF	0.62	0.53	1.21	1.19	5.12	0.50	1.00	3.00	2.85	1.120



Interchangeable Products

- HBK®
- H35 page 224
- METTLER TOLEDO®
- 500 lb-8 ft cable
- TB601019-008
- 1,000 lb-20 ft cable
- TB601016-020
- 2,500 lb-8 ft cable
- TB601016-008

Specifications

- Full Scale Output:**
3.0 mV/V
- Output Resistance:**
350 ohm, nominal
- Input Resistance:**
385 ohm, nominal
- Material/Finish:**
Stainless steel
- Temperature:**
Compensated:
14 °F to 104 °F (-10 °C to 40 °C)
Operating:
0 °F to 150 °F (-18 °C to 65 °C)
- Seal Type:**
Welded-seal, IP67
- Safe Overload:**
150% full scale
- Rated Excitation:**
5 to 10 VDC (15 V maximum)
- Combined Error:**
0.02% full scale
- Insulation Resistance:**
5,000 megohm
- Deflection at Capacity:**
0.02 in
- Cable Length:**
20 ft
- Cable Diameter:**
0.190 in
Polyurethane jacket
- Cable Color Code:**
Green +Excitation
Black -Excitation
White +Signal
Red -Signal
Yellow Shield
- Warranty:**
Two-year limited
- Approvals:**
NTEP 06-023
FM

RICE LAKE
LOAD CELLS



Picture is a representation of actual product.

Approvals



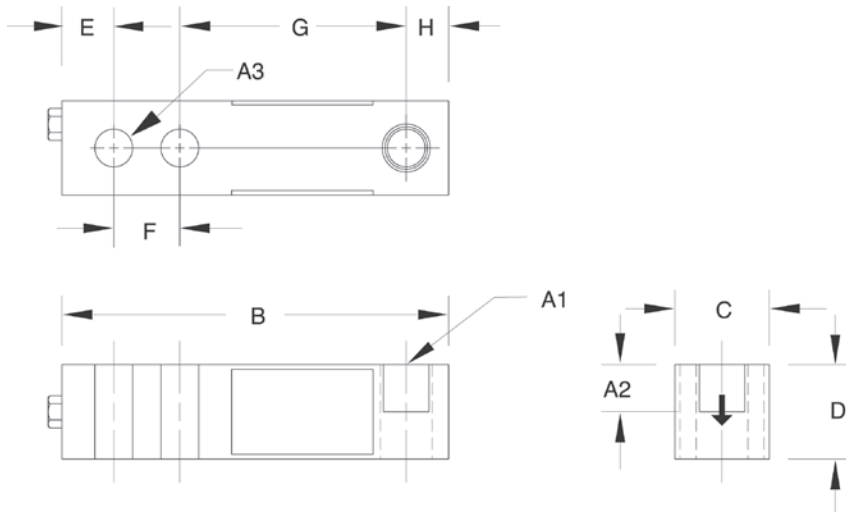
Order Information

Load Rating	Part #	Est. Weight	Price
20 ft Cables			
250 lb	17386	3 lb	\$344.00
500 lb	17387	3 lb	\$344.00
1,000 lb	17189	3 lb	\$344.00
2,500 lb	17191	3 lb	\$344.00
4,000 lb	17193	3 lb	\$344.00
5,000 lb	17194	5 lb	\$439.00
10,000 lb	17195	5 lb	\$439.00
30 ft Cables			
4,000 lb	95562	3 lb	\$365.00
Conduit Adapter Kit (must be factory installed to maintain warranty)			
3/8-24 nipple	31533*	1 lb	\$40.00
3/8-24 to 1/4-18NPT	31534*	1 lb	\$40.00

* PN 31533 and PN 31534 must be installed together to form the Conduit Adapter Kit

Dimensions

Rated Capacity	A1	A2	A3	B	C	D	E	F	G	H
lb/in										
250 to 4,000	1/2-20 UNF	0.60	0.53	5.12	1.25	1.25	0.62	1.00	3.00	0.50
5,000 to 10,000	3/4-16 UNF	0.75	0.78	6.75	1.50	1.50	0.75	1.50	3.75	0.75



Interchangeable Products

- VPG® REVERE
9123.....page 247
- ARTECH®
SS30310

Weigh Module Available

- RICE LAKE WEIGHING SYSTEMS
RL50210TA..... page 39
- RICE LAKE WEIGHING SYSTEMS
RL1800 Series..... page 50

Specifications

- Full Scale Output:**
3.0 mV/V
- Output Resistance:**
349 to 355 ohm
- Input Resistance:**
343 to 357 ohm
- Material/Finish:**
Stainless steel
- Temperature:**
Operating:
0 °F to 150 °F (-18 °C to 65 °C)
- Seal Type:**
Environmentally sealed, IP67
- Safe Overload:**
150% full scale
- Safe Sideload:**
100% full scale
- Rated Excitation:**
5 to 10 VDC (15 V maximum)
- Nonlinearity:**
0.03% full scale
- Hysteresis:**
0.02% full scale
- Insulation Resistance:**
5,000 megohm
- Deflection at Capacity:**
250 to 1,000 lb: 0.013 in
2,000 to 3,000 lb: 0.015 in
4,000 to 5,000 lb: 0.025 in
10,000 lb: 0.32 in
- Cable Length:**
20 ft
30 ft
- Cable Diameter:**
0.200 in
Polyurethane jacket
- Cable Color Code:**
Red +Excitation
Black -Excitation
Green +Signal
White -Signal
- Warranty:**
Two-year limited
- Approvals:**
cFMus

RICE LAKE
LOAD CELLS

SINGLE-ENDED BEAM
RL32018S-T

Stainless Steel, Hermetically Sealed, NTEP Certified, 1:5,000 Class III Multiple Cell, IP69K



Picture is a representation of actual product.

Approvals

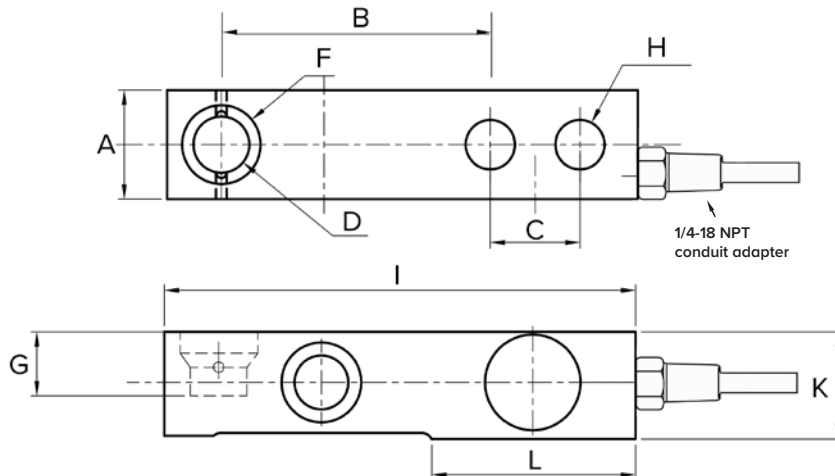


Order Information

Load Rating	Part #	Est. Weight	Price
15 ft Cable			
500 lb	189189	3 lb	\$475.00
1,250 lb	189190	3 lb	\$475.00
2,500 lb	189191	3 lb	\$475.00
5,000 lb	189192	5 lb	\$630.00
10,000 lb	189193	5 lb	\$760.00
30 ft Cable			
500 lb	191974	3 lb	\$505.00
1,250 lb	191975	3 lb	\$505.00
2,500 lb	191976	3 lb	\$505.00
5,000 lb	191977	5 lb	\$665.00
10,000 lb	191978	5 lb	\$790.00
Replacement load pins			
Rocker pin 500 to 2.5 K	108612	1 lb	\$88.00
Rocker pin 5 K	130408	1 lb	\$93.00
Rocker pin 10 K	131376	1 lb	\$134.00
O-ring (two per pin)	108202	1 lb	\$1.00

Dimensions

Rated Capacity	A	B	C	D	F	G	H	I	K	L
500 to 1,250	1.21	3.00	1.00	0.62	0.88	0.68	0.51	5.25	1.19	2.27
2,500	1.21	3.00	1.00	0.62	0.88	0.68	0.51	5.25	1.19	2.27
5,000	1.44	3.00	1.00	0.62	0.88	0.90	0.51	5.38	1.44	2.28
10,000	1.69	3.75	1.50	0.88	1.38	1.15	0.76	6.75	1.69	2.91



Interchangeable Products

- METTLER TOLEDO®
TB600529-500 lb
- METTLER TOLEDO
TB600363-1,250 lb
- METTLER TOLEDO
TB600342-2,500 lb
- METTLER TOLEDO
TB600343-5,000 lb
- METTLER TOLEDO
TB600364-10,000 lb
- HBK®
THC

Weigh Module Available

RICE LAKE WEIGHING SYSTEMS
RLTM..... page 54

Specifications

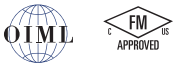
- Full Scale Output:**
 2.0 mV/V ± 0.05%
 mV/V/ohm calibration
- Output Resistance:**
 350 (± 3) ohm
- Input Resistance:**
 400 (± 20) ohm
- Material/Finish:**
 Stainless steel
- Temperature:**
 Compensated:
 14 °F to 104 °F (-10 °C to 40 °C)
 Operating:
 0 °F to 150 °F (-18 °C to 65 °C)
- Seal Type:**
 Hermetically sealed, IP69K
- Safe Overload:**
 150% full scale
- Rated Excitation:**
 5 to 10 VDC
- Combined Error:**
 0.017% full scale
- Insulation Resistance:**
 5,000 megohm
- Cable Length:**
 15 ft
 30 ft
- Cable Color Code:**
 Green +Excitation
 Black -Excitation
 White +Signal
 Red -Signal
 Shield is attached to element
- Warranty:**
 Two-year limited
- Approvals:**
 NTEP 18-106
 cFMus

RICE LAKE
LOAD CELLS



Picture is a representation of actual product.

Approvals

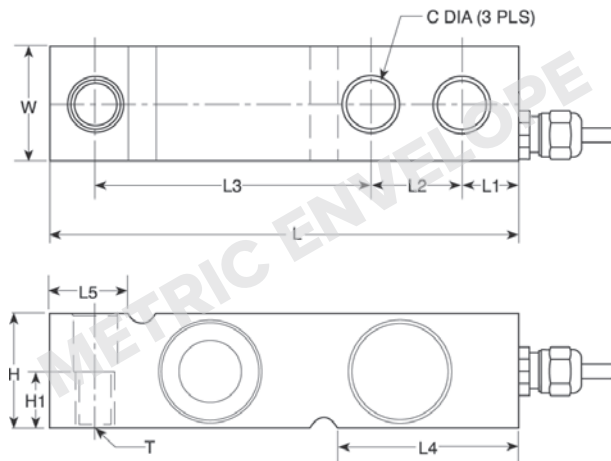


Order Information

Load Rating	Part #	Est. Weight	Price
500 kg	31253	3 lb	\$514.00
1,000 kg	31250	3 lb	\$514.00
2,000 kg	31251	3 lb	\$514.00
5,000 kg	31252	5 lb	\$588.00

Dimensions

Rated Capacity	C	H	H1	L	L1	L2	L3	L4	L5	T	W
kg/mm											
500 to 2,000	13.5	32.0	16.0	130.0	15.8	25.4	76.2	50.5	23.5	M12 x 1.75	32.0
5,000	20.5	48.0	—	171.5	19.0	38.1	95.3	70.0	37.0	—	36.5



Interchangeable Products

VPG® TEDEA-HUNTLEIGH®
3510-OIML page 308

Weigh Module Available

RICE LAKE WEIGHING SYSTEMS
1700 HE page 29

Specifications

- Full Scale Output:**
2.0 mV/V
- Output Resistance:**
350 (± 3) ohm
- Input Resistance:**
380 (± 10) ohm
- Material/Finish:**
Stainless steel
- Temperature:**
Operating:
0 °F to 150 °F (-18 °C to 65 °C)
- Seal Type:**
Hermetically sealed, IP66/68
- Safe Overload:**
150% full scale
- Safe Sideload:**
100% full scale
- Rated Excitation:**
5 to 10 VDC (15 V maximum)
- Combined Error:**
0.02% applied load
- Insulation Resistance:**
2,000 megohm
- Deflection at Capacity:**
0.4 mm
- Cable Length:**
5 m
- Cable Diameter:**
5 mm
Polyurethane jacket
- Cable Color Code:**
Blue +Excitation
Black -Excitation
White +Signal
Red -Signal
Green +Sense
Grey -Sense
- Warranty:**
Two-year limited
- Approvals:**
OIML
cFMus

RICE LAKE
LOAD CELLS

RLSSB

Stainless Steel, Welded Seal, NTEP Certified 1:5,000 Class III Multiple Cell, IP67



Picture is a representation of actual product.

Approvals

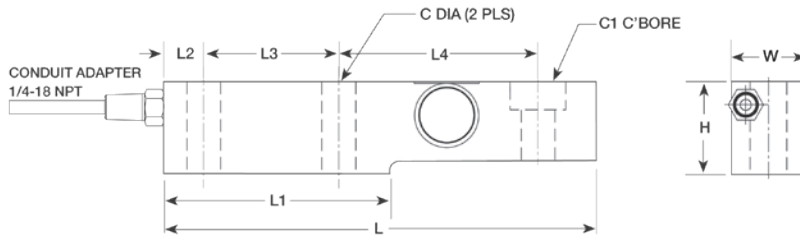


Order Information

Load Rating	Part #	Est. Weight	Price
1,000 lb	34310	5 lb	\$635.00
2,000 lb	34311	5 lb	\$635.00
5,000 lb	34312	6 lb	\$635.00
10,000 lb	34313	10 lb	\$760.00
Options			
Load cell button (1 K to 5 K)	26112	—	\$37.00

Dimensions

Rated Capacity	C	C1	H	L	L1	L2	L3	L4	W
lb/in									
1,000 to 5,000	0.53	0.68 thru C'Bore 1.19 x 0.47 DP	1.88	8.00	4.00	0.75	2.50	3.88	1.44
10,000	0.88	1.00 thru C'Bore 1.63 x 0.62 DP	2.75	9.25	4.62	0.81	2.63	4.88	1.88



RICE LAKE
LOAD CELLS

Interchangeable Products

ARTECH®
SS30610

Weigh Module Available

RICE LAKE WEIGHING SYSTEMS
RL1900 Series page 53

Specifications

- Full Scale Output:**
2.0 mV/V
- Bridge Resistance:**
350 ohm, nominal
- Material/Finish:**
Stainless steel
- Temperature:**
Compensated:
14 °F to 104 °F (-10 °C to 40 °C)
Operating:
0 °F to 150 °F (-18 °C to 65 °C)
- Seal Type:**
Welded-seal, IP67
- Safe Overload:**
150% full scale
- Safe Sideload:**
100% full scale
- Rated Excitation:**
5 to 10 VDC (15 V maximum)
- Combined Error:**
0.02% full scale
- Non-repeatability:**
0.01% full scale
- Insulation Resistance:**
5,000 megohm
- Cable Length:**
15 ft
- Cable Diameter:**
0.200 in
Polyurethane jacket
- Cable Color Code:**
Green +Excitation
Black -Excitation
White +Signal
Red -Signal
- Warranty:**
Two-year limited
- Approvals:**
NTEP 96-053
cFMus

SINGLE-ENDED BEAM
RLSB250/RLSB250T

Stainless Steel, Welded Seal, NTEP Certified 1:5,000 Class III Multiple Cell, IP67



Picture is a representation of actual product.

Approvals

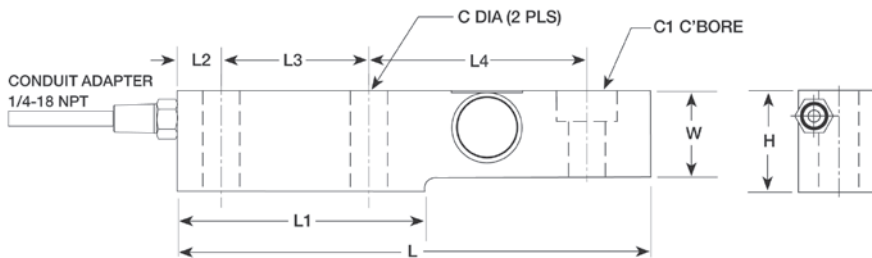


Order Information

Load Rating	Part #	Est. Weight	Price
Threaded			
2,500 lb	116053	6 lb	\$635.00
5,000 lb	116054	6 lb	\$745.00
Thru Hole			
2,500 lb	34482	6 lb	\$635.00
10,000 lb	116055	10 lb	\$745.00
Options			
Load cell button	116084	—	\$11.00

Dimensions

Rated Capacity	C	C1	H	L	L1	L2	L3	L4	T	W
lb/in										
2,500	0.53	1.19 x 0.47 DP	1.93	8.00	4.00	0.75	2.50	3.88	3/4-16 UNF	1.25
5,000	0.53	1.19 x 0.47 DP	1.93	8.00	4.00	0.75	2.50	3.88	3/4-16 UNF	1.45
10,000	—	1.63 x 0.62 DP	2.46	9.00	4.00	0.75	2.00	5.25	—	1.62



Interchangeable Products

CARDINAL®
SB2500*
 *No threads in load hole

Specifications

Full Scale Output:
 2.0 mV/V

Bridge Resistance:
 350 ohm, nominal

Material/Finish:
 Stainless steel

Temperature:
 Compensated:
 14 °F to 104 °F (-10 °C to 40 °C)
 Operating:
 0 °F to 150 °F (-18 °C to 65 °C)

Seal Type:
 Welded-seal, IP67

Safe Overload:
 150% full scale

Safe Sideload:
 100% full scale

Rated Excitation:
 5 to 10 VDC (15 V maximum)

Combined Error:
 0.02% full scale

Non-repeatability:
 0.01% full scale

Insulation Resistance:
 5,000 megohm

Cable Length:
 20 ft
 PN 34482: 15 ft

Cable Diameter:
 0.200 in
 Polyurethane jacket

Cable Color Code:
 Green +Excitation
 Black -Excitation
 White +Signal
 Red -Signal

Warranty:
 Two-year limited

Approvals:
 NTEP 96-053
 cFMus

**RICE LAKE
 LOAD CELLS**

SINGLE-ENDED BEAM
RL50219SS

Stainless Steel, Environmentally Sealed, IP65



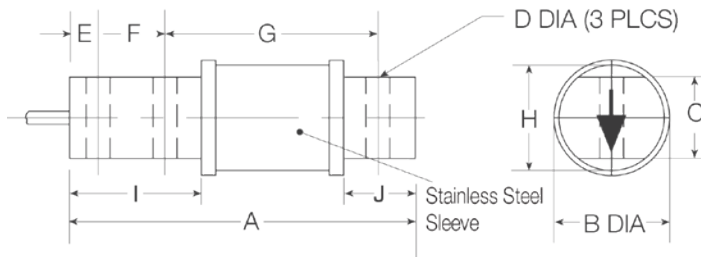
Picture is a representation of actual product.

Order Information

Load Rating	Part #	Est. Weight	Price
25 lb	194014	2 lb	\$450.00
50 lb	194015	2 lb	\$450.00
75 lb	194016	2 lb	\$450.00
100 lb	194017	2 lb	\$450.00
150 lb	194018	2 lb	\$450.00
250 lb	194019	2 lb	\$450.00
500 lb	194020	2 lb	\$450.00

Dimensions

Rated Capacity	A	B	C	D	E	F	G	H	I	J
lb/in										
25 to 500	2.81	1.26	0.62	0.26	0.25	0.50	1.81	0.90	1.00	0.50



Interchangeable Products

RICE LAKE WEIGHING SYSTEMS
RL60040SST

Weigh Module Available

RICE LAKE WEIGHING SYSTEMS
RL50219SS-TA.....page 43

Specifications

- Full Scale Output:**
3.0 mV/V
- Output Resistance:**
350 (± 3) ohm
- Input Resistance:**
380 to 450 ohm
- Material/Finish:**
Stainless steel
- Temperature:**
Operating:
0 °F to 150 °F (-18 °C to 65 °C)
- Seal Type:**
Environmentally sealed, IP65
- Safe Overload:**
150% full scale
- Rated Excitation:**
5 to 10 VDC
- Nonlinearity:**
0.03% full scale
- Hysteresis:**
0.02% full scale
- Combined Error:**
0.017% full scale
- Insulation Resistance:**
5,000 megohm
- Cable Length:**
20 ft
- Cable Color Code:**
Red +Excitation
Black -Excitation
Green +Signal
White -Signal
- Warranty:**
Two-year limited

RICE LAKE
LOAD CELLS



Picture is a representation of actual product.

Approvals

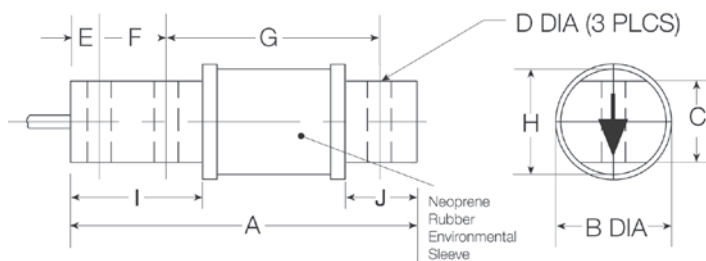


Order Information

Load Rating	Part #	Est. Weight	Price
25 lb	226878	2 lb	\$260.00
50 lb	226879	2 lb	\$260.00
100 lb	226880	2 lb	\$260.00
150 lb	226881	2 lb	\$260.00
250 lb	226882	2 lb	\$260.00
500 lb	226883	2 lb	\$260.00

Dimensions

Rated Capacity	A	B	C	D	E	F	G	H	I	J
lb/in										
25 to 500	2.81	1.26	0.62	0.26	0.25	0.50	1.81	0.90	1.00	0.50



Interchangeable Products

- RICE LAKE WEIGHING SYSTEMS
RL50210.....page 122
- RICE LAKE WEIGHING SYSTEMS
RL50219SS.....page 120
- VPG® SENSORTRONICS®
60040.....page 286
- ARTECH®
50210
- VPG® REVERE
5503

Weigh Module Available

- RICE LAKE WEIGHING SYSTEMS
RL50210TA.....page 39

Specifications

- Full Scale Output:**
3.0 mV/V
- Output Resistance:**
300 ohm
- Input Resistance:**
360 to 450 ohm
- Material/Finish:**
Alloy steel, nickel plated
- Temperature:**
Operating:
0 °F to 150 °F (-18 °C to 65 °C)
- Seal Type:**
Environmentally sealed, IP65
- Safe Overload:**
150% full scale
- Rated Excitation:**
5 to 10 VDC (15 V maximum)
- Nonlinearity:**
0.03% full scale
- Hysteresis:**
0.02% full scale
- Insulation Resistance:**
5,000 megohm
- Deflection at Capacity:**
25 to 50 lb: 0.008 in
100 lb: 0.010 in
150 lb: 0.012 in
250 lb: 0.016 in
500 lb: 0.025 in
- Cable Length:**
20 ft
- Cable Diameter:**
0.200 in
Polyurethane jacket
- Cable Color Code:**
Red +Excitation
Black -Excitation
Green +Signal
White -Signal
- Warranty:**
Two-year limited
- Approvals:**
cFMus

RICE LAKE
LOAD CELLS

RL50210

Alloy Steel, Environmentally Sealed, IP65



Picture is a representation of actual product.

Approvals

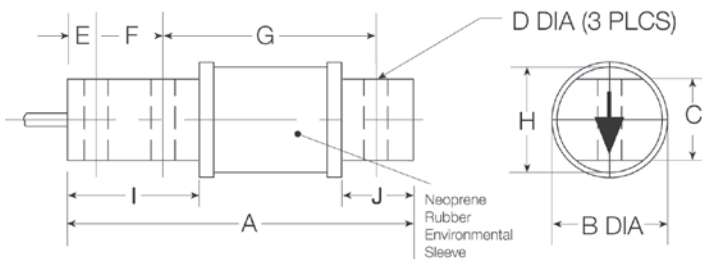


Order Information

Load Rating	Part #	Est. Weight	Price
25 lb	17385	2 lb	\$260.00
50 lb	17380	2 lb	\$260.00
100 lb	17381	2 lb	\$260.00
150 lb	17382	2 lb	\$260.00
250 lb	17383	2 lb	\$260.00
500 lb	17384	2 lb	\$260.00

Dimensions

Rated Capacity	A	B	C	D	E	F	G	H	I	J
lb/in										
25 to 500	2.81	1.30	0.62	0.26	0.25	0.50	1.81	1.00	1.00	0.50



RICE LAKE
LOAD CELLS

Interchangeable Products

- RICE LAKE WEIGHING SYSTEMS
RL50219SS.....page 120
- VPG® SENSORTRONICS®
60040.....page 286
- ARTECH®
50210
- VPG® REVERE
5503

Weigh Module Available

- RICE LAKE WEIGHING SYSTEMS
RL50210TA.....page 39

Specifications

- Full Scale Output:**
3.0 mV/V
- Output Resistance:**
349 to 355 ohm
- Input Resistance:**
360 to 450 ohm
- Material/Finish:**
High-alloy steel, nickel plated
- Temperature:**
Operating:
0 °F to 150 °F (-18 °C to 65 °C)
- Seal Type:**
Environmentally sealed with neoprene sleeve, IP65
- Safe Overload:**
150% full scale
- Rated Excitation:**
5 to 10 VDC (15 V maximum)
- Nonlinearity:**
0.03% full scale
- Hysteresis:**
0.02% full scale
- Insulation Resistance:**
5,000 megohm
- Deflection at Capacity:**
25 to 50 lb: 0.008 in
100 lb: 0.010 in
150 lb: 0.012 in
250 lb: 0.016 in
500 lb: 0.025 in
- Cable Length:**
20 ft
- Cable Diameter:**
0.200 in
Polyurethane jacket
- Cable Color Code:**
Red +Excitation
Black -Excitation
Green +Signal
White -Signal
- Warranty:**
Two-year limited
- Approvals:**
cFMus



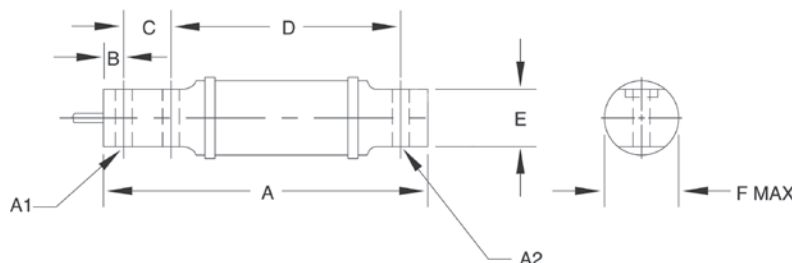
Picture is a representation of actual product.

Order Information

Load Rating	Part #	Est. Weight	Price
50 lb	17395	3 lb	\$595.00
100 lb	17343	3 lb	\$595.00
200 lb	17396	3 lb	\$595.00
250 lb	17397	3 lb	\$595.00
500 lb	17398	3 lb	\$595.00
1,000 lb	17344	3 lb	\$595.00
2,500 lb	17345	9 lb	\$895.00

Dimensions

Rated Capacity	A	A1	A2	B	C	D	E	F	G	H
lb/in										
50 to 100	6.00	0.31	0.31	0.38	0.88	4.25	1.06	1.41	—	—
200 to 1,000	6.62	0.52	0.52	0.50	1.12	4.25	1.06	1.41	—	—
2,500	11.38	0.53	0.62	0.50	1.75	8.25	1.25	2.19	1.19	0.12



Interchangeable Products

HBK®
BBS page 225
 VPG® SENSORTRONICS®
65087
 FAIRBANKS®
3-481XX-1
 FAIRBANKS
3-48660-1
 ARTECH®
40310

Specifications

Full Scale Output:

2.0 mV/V

Output Resistance:

750 (± 10) ohm

Input Resistance:

800 (±50) ohm

Material/Finish:

High-alloy steel, nickel plated

Temperature:

Operating:
 0 °F to 150 °F (-18 °C to 65 °C)

Seal Type:

Environmentally sealed with neoprene sleeve, IP65

Safe Overload:

150% full scale

Rated Excitation:

5 to 10 VDC (15 V maximum)

Nonlinearity:

0.03% full scale

Hysteresis:

0.02% full scale

Insulation Resistance:

5,000 megohm

Deflection at Capacity:

50 lb: 0.015 in
 100 lb: 0.005 in
 200 to 250 lb: 0.030 in
 500 lb: 0.025 in
 1,000 lb: 0.040 in
 2,500 lb: 0.120 in

Cable Length:

10 ft

Cable Diameter:

0.200 in
 Polyurethane jacket

Cable Color Code:

Green +Excitation
 Black -Excitation
 White +Signal
 Red -Signal

Warranty:

Two-year limited

RL32011WB-L

Stainless Steel, Environmentally Sealed, NTEP Certified 1:5,000 Class III Multiple Cell, Potted, IP67



Picture is a representation of actual product.

Approvals

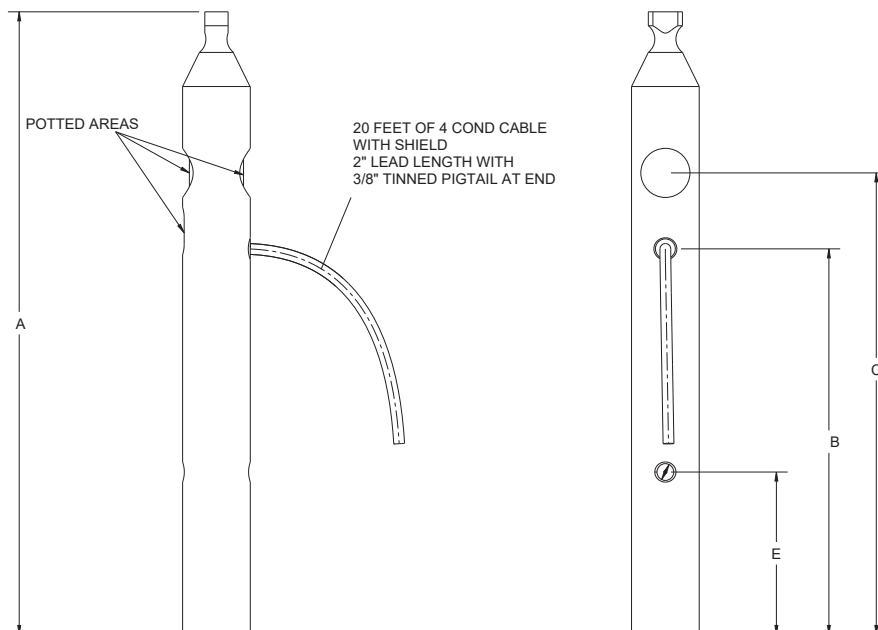
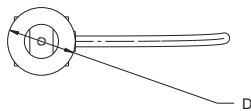


Order Information

Load Rating	Part #	Est. Weight	Price
1,250 lb	119788	5 lb	\$730.00
5,000 lb	119790	9 lb	\$850.00
10,000 lb	119791	17 lb	\$950.00

Dimensions

Rated Capacity lb/in	A	B	C	D	E
1,250	11.50	7.12	8.52	1.25	3.0
5,000	10.9	5.5	7.4	2.0	3.0
10,000	12.6	5.9	8.0	2.5	3.0



Interchangeable Products

AVERY WEIGH TRONIX®
Weigh Bar

Specifications

- Full Scale Output:**
2.0 (± 0.1%) mV/V
- Output Resistance:**
350 (± 3) ohm
- Input Resistance:**
385 (± 10) ohm
- Material/Finish:**
Stainless steel
- Temperature:**
Compensated:
14 °F to 104 °F (-10 °C to 40 °C)
Operating:
0 °F to 150 °F (-18 °C to 65 °C)
- Seal Type:**
Environmentally sealed, IP67
- Safe Overload:**
150% full scale
- Safe Sideload:**
100% full scale
- Rated Excitation:**
5 to 10 VDC
- Combined Error:**
0.02% full scale
- Non-repeatability:**
± 0.01% full scale
- Insulation Resistance:**
5,000 megohm
- Cable Length:**
20 ft
- Cable Diameter:**
0.190 in
Polyurethane jacket
- Cable Color Code:**
Green +Excitation
Black -Excitation
White +Signal
Red -Signal
- Warranty:**
Two-year limited
- Approvals:**
NTEP 11-024



Picture is a representation of actual product.

Approvals

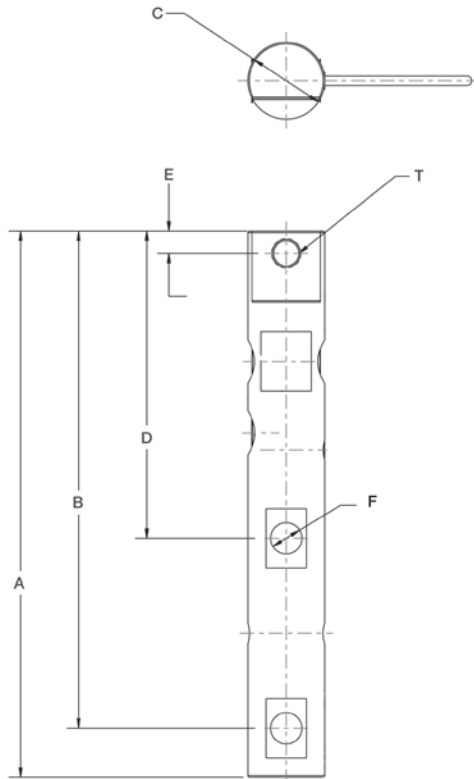


Order Information

Load Rating	Part #	Est. Weight	Price
1,250 lb	119796	3 lb	\$525.00
2,500 lb	119797	3 lb	\$525.00

Dimensions

Rated Capacity	A	B	C	D	E	F	T
lb/in							
1,250	11.50	10.47	1.25	6.47	0.47	0.53	1/2-13 UNC
2,500	11.50	10.47	1.62	6.47	0.47	0.66	5/8-11 UNC



Interchangeable Products

AVERY WEIGH TRONIX®
Weigh Bar

Specifications

Full Scale Output:

2.0 (± 0.1%) mV/V

Output Resistance:

350 (± 3) ohm

Input Resistance:

385 (± 10) ohm

Material/Finish:

Stainless steel

Temperature:

Compensated:

14 °F to 104 °F (-10 °C to 40 °C)

Operating:

0 °F to 150 °F (-18 °C to 65 °C)

Seal Type:

Environmentally sealed, IP67

Safe Overload:

150% full scale

Safe Sideload:

100% full scale

Rated Excitation:

5 to 10 VDC

Combined Error:

0.02% full scale

Non-repeatability:

± 0.01% full scale

Insulation Resistance:

5,000 megohm

Cable Length:

20 ft

Cable Diameter:

0.190 in

Polyurethane jacket

Cable Color Code:

Green +Excitation

Black -Excitation

White +Signal

Red -Signal

Warranty:

Two-year limited

Approvals:

NTEP 11-024

**RICE LAKE
LOAD CELLS**

RL72020

Alloy Steel, Environmentally Sealed, NTEP Certified 1:5,000 Class III/1:10,000 Class IIIIL Multiple Cell, IP67



Picture is a representation of actual product.

Approvals

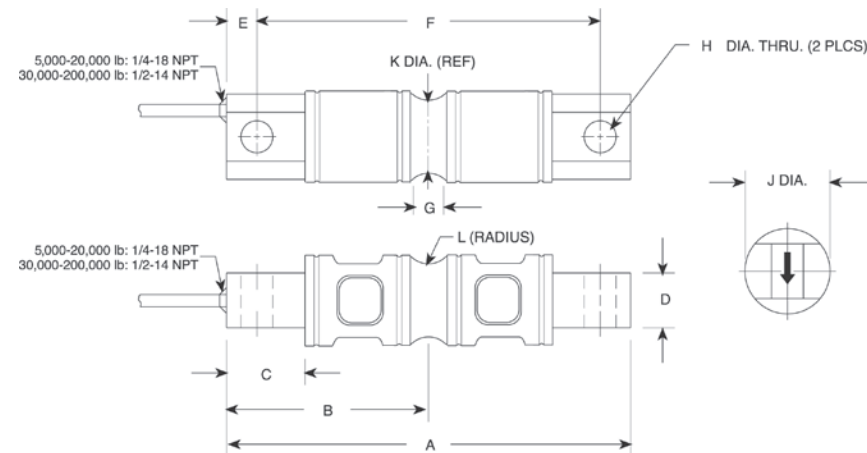


Order Information

Load Rating	Part #	Est. Weight	Price
NTEP			
5,000 lb	201758	5 lb	\$695.00
10,000 lb	201759	6 lb	\$695.00
20,000 lb	201760	7 lb	\$695.00
30,000 lb	201761	18 lb	\$800.00
40,000 lb	201762	18 lb	\$800.00
50,000 lb	201763	18 lb	\$800.00
60,000 lb	201764	18 lb	\$800.00
100,000 lb	201765	28 lb	\$1,563.00
150,000 lb	201766	34 lb	\$1,563.00
200,000 lb	201767	90 lb	\$2,940.00
Non-NTEP			
250,000 lb	201768	93 lb	\$2,940.00

Dimensions

Rated Capacity	A	B	C	D	E	F	G	H	J	K	L
lb/in											
5,000 to 10,000	8.12	4.06	1.44	1.12	0.62	6.88	0.62	0.66	1.70	1.48	0.50
20,000	8.12	4.06	1.44	1.12	0.62	6.88	0.84	0.66	1.95	1.48	0.50
30,000 to 60,000	10.25	5.12	1.88	2.37	0.88	8.50	1.00	1.06	3.20	2.73	1.00
100,000	11.25	5.62	1.88	2.50	0.88	9.50	1.00	1.06	3.50	3.24	1.50
150,000	11.25	5.62	1.88	2.80	0.88	9.50	1.25	1.06	3.90	3.64	1.50
200,000 to 250,000	16.10	8.05	3.05	4.60	1.55	13.00	1.30	1.56	5.38	5.17	2.00



Interchangeable Products

VPG® REVERE

5103* page 255

ARTECH®

70210

METTLER-TOLEDO®

SLD 430

*Conduit adapter optional

Weigh Module Available

RICE LAKE WEIGHING SYSTEMS

EZ Mount 1..... page 63

Specifications

Full Scale Output:

3.0 mV/V

Output Resistance:

700 (± 5) ohm

Input Resistance:

5 to 10 k: 700 (± 14) ohm
20 to 150 k: 770 (± 10) ohm
200 to 250 k: 700 (± 14) ohm

Material/Finish:

High-alloy steel, nickel plated

Temperature:

Compensated:
14 °F to 104 °F (-10 °C to 40 °C)
Operating:
0 °F to 150 °F (-18 °C to 65 °C)

Seal Type:

Environmentally sealed, IP67

Safe Overload:

150% full scale

Safe Sideload:

100% full scale

Rated Excitation:

5 to 10 VDC (15 V maximum)

Combined Error:

0.02% full scale

Insulation Resistance:

5,000 megohm

Deflection at Capacity:

5,000 lb: 0.02 in
10,000 lb: 0.025 in
20,000 lb: 0.042 in
30,000 to 50,000 lb: 0.02 in
60,000 lb: 0.025 in
100,000 lb: 0.02 in

Cable Length:

30 ft

Cable Color Code:

Red +Excitation
Black -Excitation
Green +Signal
White -Signal

Warranty:

Two-year limited

Approvals:

NTEP 21-064
cFMus

Interchangeable Products

VPG® REVERE
9103..... page 256

Weigh Module Available

RICE LAKE WEIGHING SYSTEMS
EZ Mount 1 SS..... page 65

Specifications

- Full Scale Output:**
3.0 mV/V
- Output Resistance:**
700 (± 5) ohm
- Input Resistance:**
700 (± 10) ohm
- Material/Finish:**
Stainless steel
- Temperature:**
Operating:
14 °F to 104 °F (-10 °C to 40 °C)
- Seal Type:**
Environmentally sealed, IP67
- Safe Overload:**
150% full scale
- Safe Sideload:**
100% full scale
- Rated Excitation:**
5 to 10 VDC
- Combined Error:**
0.02% full scale
- Insulation Resistance:**
5,000 megohm
- Cable Length:**
30 ft polyurethane jacket
- Cable Color Code:**
Red +Excitation
Black -Excitation
Green +Signal
White -Signal
- Warranty:**
Two-year limited
- Approvals:**
NTEP 21-064
cFMus



Picture is a representation of actual product.

Approvals

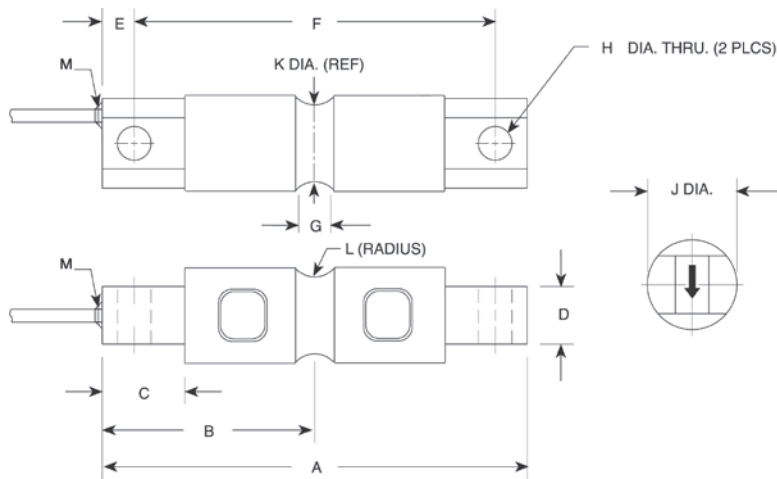


Order Information

Load Rating	Part #	Est. Weight	Price
NTEP Certified			
10,000 lb	201781	5 lb	\$820.00
20,000 lb	201782	7 lb	\$900.00
30,000 lb	201783	18 lb	\$1,033.00
40,000 lb	201784	18 lb	\$1,033.00
50,000 lb	201785	18 lb	\$1,033.00
60,000 lb	201786	18 lb	\$1,033.00
100,000 lb	201787	28 lb	\$1,960.00
Non-NTEP Certified			
5,000 lb	201780	5 lb	\$820.00
150,000 lb	201788	34 lb	\$2,173.00

Dimensions

Rated Capacity	A	B	C	D	E	F	G	H	J	K	L	M
lb/in												
5,000 to 10,000	8.12	4.06	1.44	1.12	0.62	6.88	0.62	0.66	1.70	1.48	0.50	1/4-18 NPT
20,000	8.12	4.06	1.44	1.12	0.62	6.88	0.84	0.66	1.95	1.48	0.50	1/4-18 NPT
30,000 to 60,000	10.25	5.12	1.88	2.37	0.88	8.50	1.00	1.06	3.20	2.73	1.00	1/2-14 NPT
100,000	11.25	5.62	1.88	2.50	0.88	9.50	1.00	1.06	3.50	3.24	1.50	1/2-14 NPT
150,000	11.25	5.62	1.88	2.80	0.88	9.50	1.25	1.06	3.90	3.64	1.50	1/2-14 NPT



**RICE LAKE
LOAD CELLS**

RL72020 MLC Coated

Alloy Steel, Environmentally Sealed, NTEP Certified 1:5,000 Class III/1:10,000 Class IIIIL Multiple Cell, IP67



Picture is a representation of actual product.

Approvals

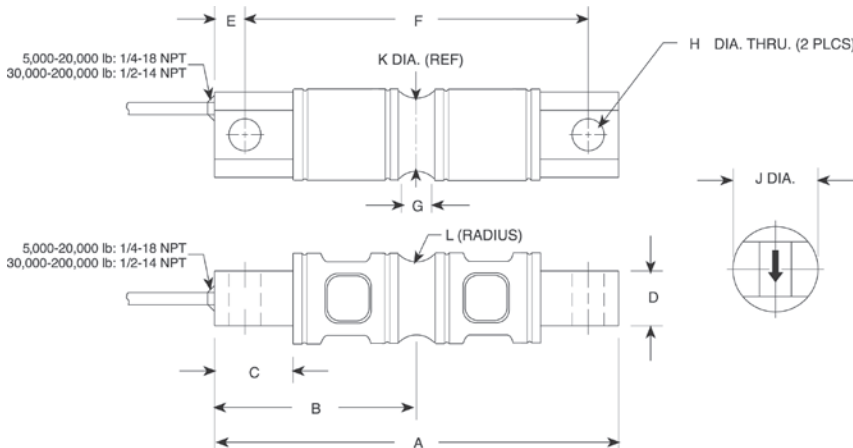


Order Information

Load Rating	Part #	Est. Weight	Price
NTEP			
5,000 lb	201769	5 lb	\$720.00
10,000 lb	201770	6 lb	\$720.00
20,000 lb	201771	7 lb	\$720.00
30,000 lb	201772	18 lb	\$826.00
40,000 lb	201773	18 lb	\$826.00
50,000 lb	201774	18 lb	\$826.00
60,000 lb	201775	18 lb	\$826.00
100,000 lb	201776	28 lb	\$1,615.00
150,000 lb	201777	34 lb	\$1,615.00
200,000 lb	201778	90 lb	\$2,990.00
Non-NTEP			
250,000 lb	201779	93 lb	\$2,990.00

Dimensions

Rated Capacity	A	B	C	D	E	F	G	H	J	K	L
lb/in											
5,000 to 10,000	8.12	4.06	1.44	1.12	0.62	6.88	0.62	0.66	1.70	1.48	0.50
20,000	8.12	4.06	1.44	1.12	0.62	6.88	0.84	0.66	1.95	1.48	0.50
30,000 to 60,000	10.25	5.12	1.88	2.37	0.88	8.50	1.00	1.06	3.20	2.73	1.00
100,000	11.25	5.62	1.88	2.50	0.88	9.50	1.00	1.06	3.50	3.24	1.50
150,000	11.25	5.62	1.88	2.80	0.88	9.50	1.25	1.06	3.90	3.64	1.50
200,000 to 250,000	16.10	8.05	3.05	4.60	1.55	13.00	1.30	1.56	5.38	5.17	2.00



Weigh Module Available

RICE LAKE WEIGHING SYSTEMS
EZ Mount 1..... page 66

Specifications

- Full Scale Output:** 3.0 mV/V
- Output Resistance:** 700 (± 5) ohm
- Input Resistance:** 5,000 to 10,000 lb: 700 (± 14) ohm
20,000 to 150,000 lb: 770 (± 10) ohm
200,000 to 250,000 lb: 700 (± 14) ohm
- Material/Finish:** Alloy steel, coated
- Temperature:** Compensated: 14 °F to 104 °F (-10 °C to 40 °C)
Operating: 0 °F to 150 °F (-18 °C to 65 °C)

- Seal Type:** Environmentally sealed, IP67
- Safe Overload:** 150% full scale
- Safe Sideload:** 100% full scale
- Rated Excitation:** 5 to 10 VDC (15 V maximum)
- Combined Error:** 0.02% full scale
- Insulation Resistance:** 5,000 megohm
- Deflection at Capacity:** 5,000 lb: 0.02 in
10,000 lb: 0.025 in
20,000 lb: 0.042 in
30,000 to 50,000 lb: 0.02 in
60,000 lb: 0.025 in
100,000 lb: 0.02 in

- Cable Length:** 30 ft
- Cable Diameter:** 5,000 to 20,000 lb: 0.200 in
30,000 to 250,000 lb: 0.305 in
Polyurethane jacket
- Cable Color Code:** Red +Excitation
Black -Excitation
Green +Signal
White -Signal

Warranty: Two-year limited

Approvals: NTEP 21-064
cFMus



Picture is a representation of actual product.

Approvals

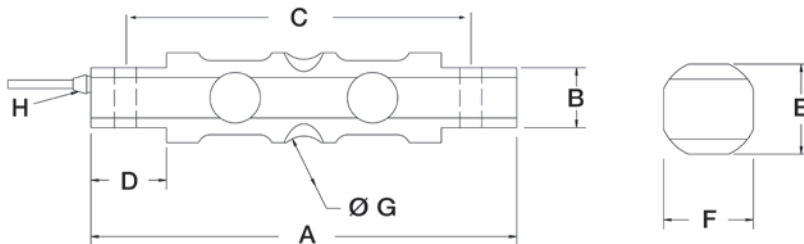


Order Information

Load Rating	Part #	Est. Weight	Price
Non-NTEP			
5,000 lb	194021	5 lb	\$1,160.00
NTEP			
10,000 lb	194022	5 lb	\$1,160.00
20,000 lb	194023	5 lb	\$1,160.00
30,000 lb	194024	20 lb	\$1,585.00
40,000 lb	194025	20 lb	\$1,585.00
50,000 lb	194026	20 lb	\$1,585.00
60,000 lb	194027	20 lb	\$1,585.00

Dimensions

Rated Capacity	A	B	C	D	E	F	ØG	H
lb/in								
5,000 to 20,000	8.12	1.14	6.88	1.44	1.71	1.71	1.00	1/4-18 NPT
30,000 to 60,000	10.25	2.38	8.50	1.88	3.03	3.03	2.00	1/2-14 NPT



Interchangeable Products

VPG® REVERE
9103.....page 256

Weigh Module Available

RICE LAKE WEIGHING SYSTEMS
EZ Mount 1 HE.....page 67

Specifications

Full Scale Output:
3.0 mV/V

Output Resistance:
700 (± 5) ohm

Input Resistance:
800 (± 30) ohm

Material/Finish:
Stainless steel

Temperature:
Operating:
0 °F to 150 °F (-18 °C to 65 °C)

Deflection at Capacity:
5000 lb 0.02 in
10,000 lb 0.025 in
20,000 lb 0.03 in
30,000-50,000 lb 0.02 in
60,000 lb 0.025 in

Seal Type:
Welded-seal, IP68

Safe Overload:
150% full scale

Rated Excitation:
5 to 10 VDC

Nonlinearity:
0.03% full scale

Hysteresis:
0.5% full scale

Insulation Resistance:
5,000 megohm

Cable Length:
25 ft

Cable Color Code:
Red +Excitation
Black -Excitation
Green +Signal
White -Signal

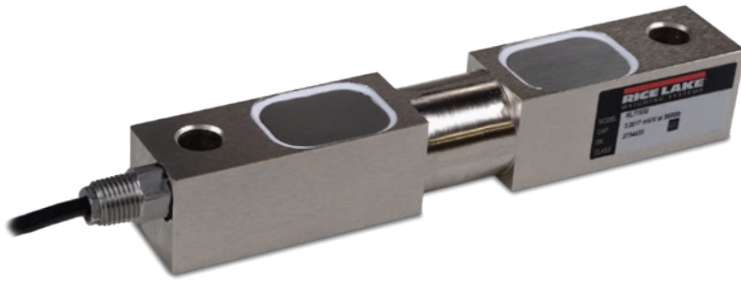
Warranty:
Two-year limited

Approvals:
NTEP 21-064
cFMus

**RICE LAKE
LOAD CELLS**

RL77032

Alloy Steel, Environmentally Sealed, IP67



Picture is a representation of actual product.

Approvals

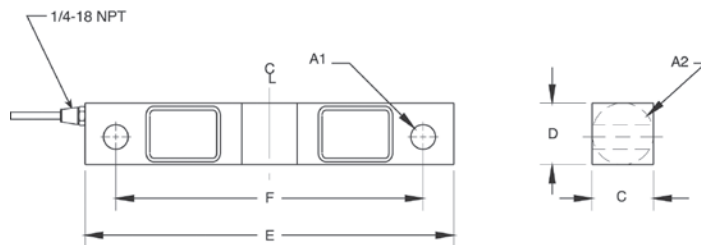


Order Information

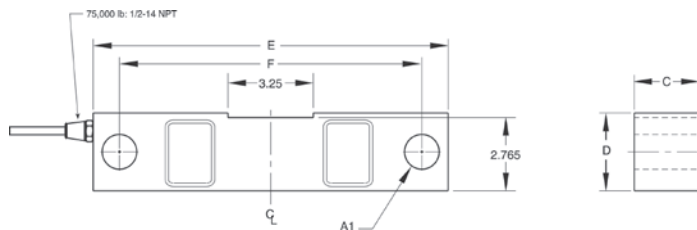
Load Rating	Part #	Est. Weight	Price
1,000 lb	221536	4 lb	\$555.00
1,500 lb	221537	4 lb	\$555.00
2,000 lb	221538	4 lb	\$555.00
2,500 lb	221539	4 lb	\$555.00
3,000 lb	221540	4 lb	\$555.00
5,000 lb	221541	4 lb	\$555.00
10,000 lb	221542	7 lb	\$635.00
15,000 lb	221543	7 lb	\$635.00
20,000 lb	221544	7 lb	\$635.00
25,000 lb	221545	7 lb	\$635.00
50,000 lb	221546	25 lb	\$980.00
75,000 lb	221547	27 lb	\$980.00

Dimensions

Rated Capacity lb/in	A1	A2	C	D	E	F
1,000 to 5,000	0.50	1.25	1.25	1.25	7.50	6.25
10,000 to 25,000	0.81	1.99	1.44	1.94	8.75	7.50
50,000	1.31	3.00	2.44	2.94	13.50	11.50
75,000	1.31	-	2.44	2.94	13.50	11.50



1,000 to 50,000lb



75,000lb

Interchangeable Products

- RICE LAKE WEIGHING SYSTEMS
RL75016 page 133
- VPG® SENSORTRONICS®
65016 page 290

Weigh Module Available

- RICE LAKE WEIGHING SYSTEMS
RL1600 Series page 69

Specifications

- Full Scale Output:**
3.0 mV/V
- Output Resistance:**
700 (± 5) ohm
- Input Resistance:**
770 (± 10) ohm
- Material/Finish:**
High-alloy steel, nickel plated
- Temperature:**
Operating:
0 °F to 150 °F (-18 °C to 65 °C)
- Seal Type:**
Environmentally sealed, IP67
- Safe Overload:**
150% full scale
- Safe Sideload:**
100% full scale
- Rated Excitation:**
5 to 10 VDC
- Nonlinearity:**
0.03% full scale
- Hysteresis:**
0.02% full scale
- Deflection at Capacity:**
1,000 to 2,500 lb: 0.01 in
5,000 lb: 0.015 in
10,000 to 20,000 lb: 0.022 in
25,000 lb: 0.036 in
50,000 lb: 0.052 in
75,000 lb: 0.07 in
- Insulation Resistance:**
5,000 megohm
- Cable Length:**
25 ft
Polyurethane jacket
- Cable Color Code:**
Red +Excitation
Black -Excitation
Green +Signal
White -Signal
- Warranty:**
Two-year limited
- Approvals:**
cFMus

RICE LAKE
LOAD CELLS



Picture is a representation of actual product.

Approvals

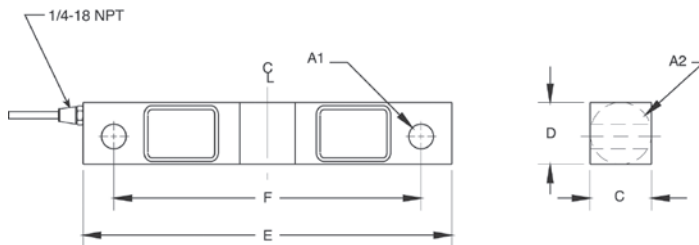


Order Information

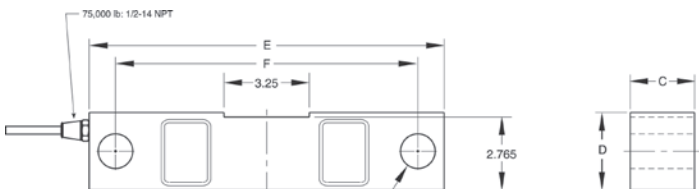
Load Rating	Part #	Est. Weight	Price
1,000 lb	221548	4 lb	\$580.00
1,500 lb	221549	4 lb	\$580.00
2,000 lb	221550	4 lb	\$580.00
2,500 lb	221551	4 lb	\$580.00
5,000 lb	221552	4 lb	\$580.00
10,000 lb	221553	7 lb	\$660.00
15,000 lb	221554	7 lb	\$660.00
20,000 lb	221555	7 lb	\$660.00
25,000 lb	221556	7 lb	\$660.00
50,000 lb	221557	25 lb	\$1,298.00
75,000 lb	221558	27 lb	\$1,298.00

Dimensions

Rated Capacity	A1	A2	C	D	E	F
lb/in						
1,000 to 5,000	0.50	1.25	1.25	1.25	7.50	6.25
10,000 to 25,000	0.81	1.99	1.44	1.94	8.75	7.50
50,000	1.31	3.00	2.44	2.94	13.50	11.50
75,000	1.31	-	2.44	2.94	13.50	11.50



1,000 to 50,000lb



75,000lb

Interchangeable Products

- RICE LAKE WEIGHING SYSTEMS
RL75016SS..... page 135
- RICE LAKE WEIGHING SYSTEMS
RL77032SS HE..... page 132
- RICE LAKE WEIGHING SYSTEMS
RL75016S-W..... page 136
- VPG® SENSORTRONICS®
65016..... page 290

Weigh Module Available

- RICE LAKE WEIGHING SYSTEMS
RL1600 Series..... page 71

Specifications

- Full Scale Output:**
3.0 mV/V
- Output Resistance:**
700 (± 5) ohm
- Input Resistance:**
770 (± 10) ohm
- Material/Finish:**
Stainless steel
- Temperature:**
Operating:
0 °F to 150 °F (-18 °C to 65 °C)
- Seal Type:**
Environmentally sealed, IP67
- Safe Overload:**
150% full scale
- Safe Sideload:**
100% full scale
- Rated Excitation:**
5 to 10 VDC
- Nonlinearity:**
0.07% full scale
- Hysteresis:**
0.02% full scale
- Deflection at Capacity:**
1,000 to 2,500 lb: 0.01 in
5,000 lb: 0.015 in
10,000 to 20,000 lb: 0.022 in
25,000 lb: 0.036 in
50,000 lb: 0.052 in
75,000 lb: 0.07 in
- Insulation Resistance:**
5,000 megohm
- Cable Length:**
25 ft
Polyurethane
- Cable Color Code:**
Red +Excitation
Black -Excitation
Green +Signal
White -Signal
- Warranty:**
Two-year limited
- Approvals:**
cFMus

**RICE LAKE
LOAD CELLS**

RL77032SS HE

Stainless Steel, Hermetically Sealed, IP69K



Picture is a representation of actual product.

Approvals

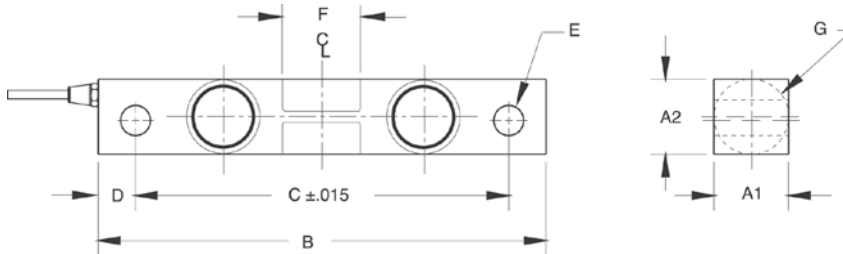


Order Information

Load Rating	Part #	Est. Weight	Price
1,000 lb	221559	4 lb	\$735.00
1,500 lb	221560	4 lb	\$735.00
2,000 lb	221561	4 lb	\$735.00
2,500 lb	221562	4 lb	\$735.00
5,000 lb	221563	4 lb	\$735.00
10,000 lb	221564	7 lb	\$830.00
15,000 lb	221565	7 lb	\$830.00
20,000 lb	221566	7 lb	\$830.00
25,000 lb	221567	7 lb	\$830.00

Dimensions

Rated Capacity	A1	A2	B	C	D	E	F	G	CONDUIT ADAPTER
lb/in									
1,000 to 5,000	1.22	1.22	7.50	6.25	0.62	0.50	1.12	1.25	1/4-18 NPT
10,000 to 25,000	1.44	1.94	8.75	7.50	0.62	0.81	1.62	1.99	1/4-18 NPT



RICE LAKE
LOAD CELLS

Interchangeable Products

RICE LAKE WEIGHING SYSTEMS
RL75016WHE.....page 137
 VPG® SENSORTRONICS®
65016WH.....page 292

Weigh Module Available

RICE LAKE WEIGHING SYSTEMS
RL1600 HE Series.....page 73

Specifications

- Full Scale Output:**
3.0 mV/V
- Output Resistance:**
700 (± 5) ohm
- Input Resistance:**
770 (± 10) ohm
- Material/Finish:**
Stainless steel
- Temperature:**
Operating:
0 °F to 150 °F (-18 °C to 65 °C)
- Seal Type:**
Hermetically sealed, IP69K
- Safe Overload:**
150% full scale
- Safe Sideload:**
100% full scale
- Rated Excitation:**
5 to 10 VDC
- Nonlinearity:**
0.03% full scale
- Hysteresis:**
0.02% full scale
- Deflection at Capacity:**
1,000 lb: 0.01 in
5,000 lb: 0.015 in
10,000 to 20,000 lb: 0.022 in
25,000 lb: 0.036 in
50,000 lb: 0.052 in
75,000 lb: 0.07 in
- Insulation Resistance:**
5,000 megohm
- Cable Length:**
25 ft
Polyurethane jacket
- Cable Color Code:**
Red +Excitation
Black -Excitation
Green +Signal
White -Signal
- Warranty:**
Two-year limited
- Approvals:**
cFMus

Limited Stock Available



Picture is a representation of actual product.

Approvals

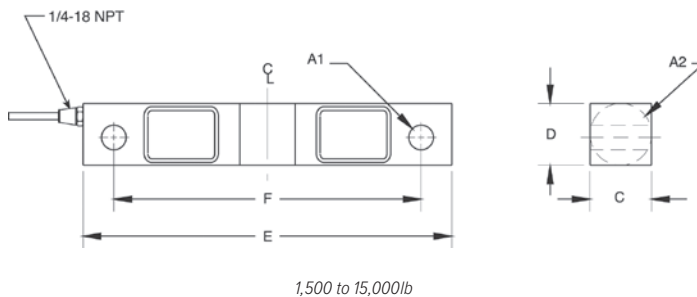


Order Information

Load Rating	Part #	Est. Weight	Price
1,500 lb	17302	4 lb	\$556.00
15,000 lb	17313	7 lb	\$636.00

Dimensions

Rated Capacity	A1	A2	C	D	E	F
lb/in						
1,500	0.50	1.25	1.25	1.25	7.50	6.25
15,000	0.81	1.99	1.44	1.94	8.75	7.50



Interchangeable Products

- RICE LAKE WEIGHING SYSTEMS
- RL77032**.....page 130
- VPG® CELTRON®
- DSR**.....page 195
- VPG® SENSORTRONICS®
- 65016**.....page 290
- VPG® REVERE
- 5203**

Weigh Module Available

- RICE LAKE WEIGHING SYSTEMS
- RL1600 Series**.....page 68

Specifications

- Full Scale Output:**
3.0 mV/V
- Output Resistance:**
700 (± 5) ohm
- Input Resistance:**
770 (± 10) ohm
- Material/Finish:**
High-alloy steel, nickel plated
- Temperature:**
Operating:
0 °F to 150 °F (-18 °C to 65 °C)
- Seal Type:**
Environmentally sealed, IP67
- Safe Overload:**
150% full scale
- Safe Sideload:**
100% full scale
- Rated Excitation:**
5 to 10 VDC (15 V maximum)
- Nonlinearity:**
0.03% full scale
- Hysteresis:**
0.02% full scale
- Insulation Resistance:**
5,000 megohm
- Deflection at Capacity:**
1,500 lb: 0.01 in
15,000 to 20,000 lb: 0.022 in
- Cable Length:**
25 ft
- Cable Diameter:**
0.200 in
Polyurethane jacket
- Cable Color Code:**
Red +Excitation
Black -Excitation
Green +Signal
White -Signal
- Warranty:**
Two-year limited
- Approvals:**
cFMus

RICE LAKE LOAD CELLS

RL75016 MLC Coated

Alloy Steel, Environmentally Sealed, IP67



Picture is a representation of actual product.

Approvals



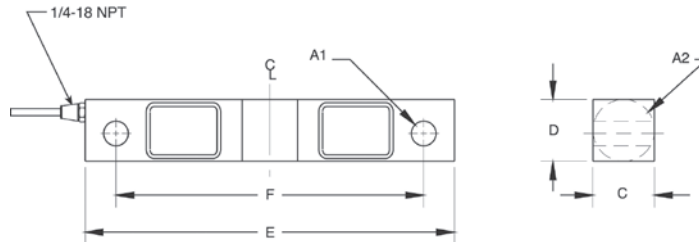
Order Information

Load Rating	Part #	Est. Weight	Price
1,000 lb	187058	4 lb	\$583.00
1,500 lb	187059	4 lb	\$583.00
2,000 lb	187060	4 lb	\$583.00
2,500 lb	187061	4 lb	\$583.00
5,000 lb	187063	4 lb	\$583.00
10,000 lb	187064	7 lb	\$662.00
15,000 lb	187065	7 lb	\$662.00
20,000 lb	187066	7 lb	\$662.00
25,000 lb	187067	7 lb	\$662.00
50,000 lb	187068	25 lb	\$1,007.00
75,000 lb*	187069	27 lb	\$1,007.00

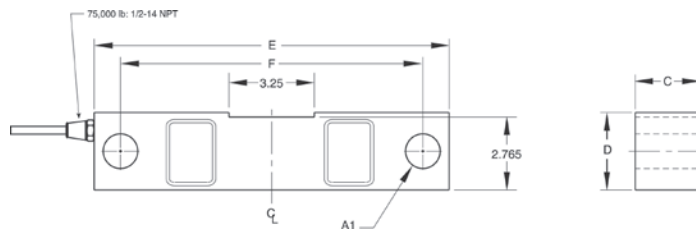
*75,000lb capacity has a square center

Dimensions

Rated Capacity	A1	A2	C	D	E	F
lb/in						
1,000 to 5,000	0.50	1.25	1.25	1.25	7.50	6.25
10,000 to 25,000	0.81	1.99	1.44	1.94	8.75	7.50
50,000	1.31	3.00	2.44	2.94	13.50	11.50
75,000	1.31	—	2.44	2.94	13.50	11.50



1,000 to 50,000lb



75,000lb

Weigh Module Available

RICE LAKE WEIGHING SYSTEMS

RL1600 Series..... page 72

Specifications

Full Scale Output:

3.0 mV/V

Output Resistance:

700 (± 5) ohm

Input Resistance:

770 (± 10) ohm

Material/Finish:

Alloy steel, coated

Temperature:

Operating:
0 °F to 150 °F (-18 °C to 65 °C)

Seal Type:

Environmentally sealed, IP67

Safe Overload:

150% full scale

Safe Sideload:

100% full scale

Rated Excitation:

5 to 10 VDC (15 V maximum)

Nonlinearity:

0.03% full scale

Hysteresis:

0.02% full scale

Insulation Resistance:

5,000 megohm

Cable Length:

25 ft

Cable Color Code:

Red +Excitation
Black -Excitation
Green +Signal
White -Signal

Warranty:

Two-year limited

Approvals:

cFMus

Limited Stock Available

DOUBLE-ENDED BEAM RL75016SS

Stainless Steel, Environmentally Sealed, IP67



Picture is a representation of actual product.

Approvals

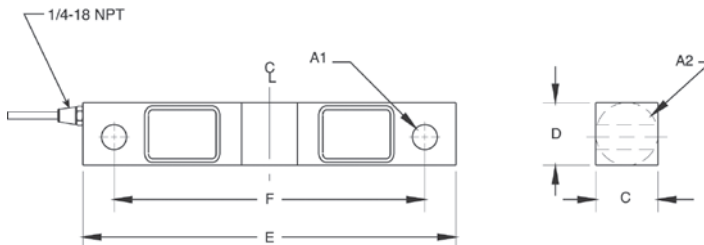


Order Information

Load Rating	Part #	Est. Weight	Price
1,500 lb	17303	4 lb	\$583.00
2,000 lb	17305	4 lb	\$583.00
25,000 lb	17318	7 lb	\$662.00

Dimensions

Rated Capacity lb/in	A1	A2	C	D	E	F
1,500 to 2,000	0.50	1.25	1.25	1.25	7.50	6.25
25,000	0.81	1.99	1.44	1.94	8.75	7.50



1,000 to 25,000 lb

Interchangeable Products

RICE LAKE WEIGHING SYSTEMS	
RL77032SS	page 131
RICE LAKE WEIGHING SYSTEMS	
RL75016WHE*	page 137
VPG® SENSORTRONICS®	
65016W	page 291
VPG SENSORTRONICS	
65016WH*	page 292
VPG® REVERE	
9203	

Weigh Module Available

RICE LAKE WEIGHING SYSTEMS	
RL1600 Series	page 70

Specifications

Full Scale Output:

3.0 mV/V

Output Resistance:

700 (± 5) ohm

Input Resistance:

770 (± 10) ohm

Material/Finish:

Stainless steel

Temperature:

Operating:
0 °F to 150 °F (-18 °C to 65 °C)

Seal Type:

Environmentally sealed, IP67

Safe Overload:

150% full scale

Safe Sideload:

100% full scale

Rated Excitation:

5 to 10 VDC (15 V maximum)

Nonlinearity:

0.07% full scale

Hysteresis:

0.02% full scale

Insulation Resistance:

5,000 megohm

Deflection at Capacity:

1,500 to 2,000 lb: 0.01 in
25,000 lb: 0.036 in

Cable Length:

25 ft

Cable Diameter:

0.200 in
Polyurethane jacket

Cable Color Code:

Red +Excitation
Black -Excitation
Green +Signal
White -Signal

Warranty:

Two-year limited

Approvals:

cFMus

RICE LAKE
LOAD CELLS

RL75016SS-W

Stainless Steel, Welded Seal, IP67



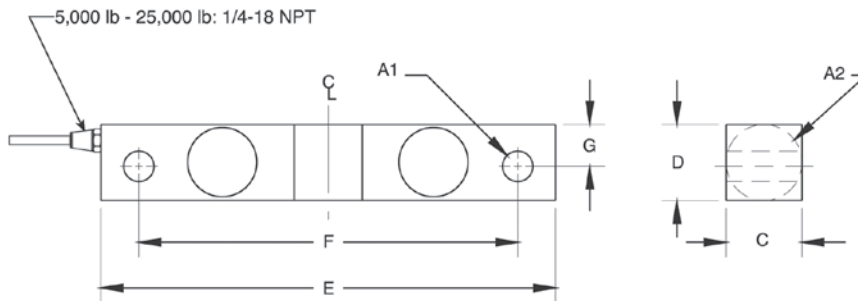
Picture is a representation of actual product.

Order Information

Load Rating	Part #	Est. Weight	Price
5,000 lb	168115	4 lb	\$630.00
10,000 lb	168116	7 lb	\$715.00
15,000 lb	168117	7 lb	\$715.00
20,000 lb	168118	7 lb	\$715.00
25,000 lb	168119	7 lb	\$715.00

Dimensions

Rated Capacity	A1	A2	C	D	E	F	G
lb/in							
5,000	0.50	1.25	1.25	1.25	7.50	6.25	0.69
10,000 to 25,000	0.81	1.99	1.44	1.94	8.75	7.50	0.96



RICE LAKE
LOAD CELLS

Interchangeable Products

- RICE LAKE WEIGHING SYSTEMS
RL77032SS HE.....page 132
- RICE LAKE WEIGHING SYSTEMS
RL75016SS.....page 135
- RICE LAKE WEIGHING SYSTEMS
RL75016WHE.....page 137

Specifications

- Full Scale Output:**
3.0 mV/V
- Output Resistance:**
700 (± 5) ohm
- Input Resistance:**
770 (± 10) ohm
- Material/Finish:**
Stainless steel
- Temperature:**
Operating:
0 °F to 150 °F (-18 °C to 65 °C)
- Seal Type:**
Welded-seal, IP67
- Safe Overload:**
100% full scale
- Rated Excitation:**
5 to 10 VDC (15 V max)
- Hysteresis:**
0.02% full scale
- Linearity:**
0.03% full scale
- Cable Length:**
25 ft
- Cable Color Code:**
Red +Excitation
Black -Excitation
Green +Signal
White -Signal
- Warranty:**
Two-year limited

Limited Stock Available



Picture is a representation of actual product.

Approvals

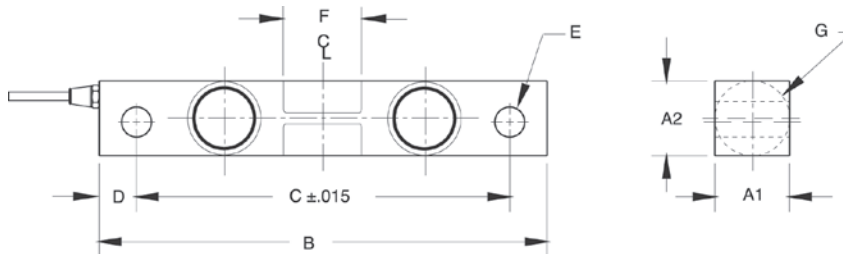


Order Information

Load Rating	Part #	Est. Weight	Price
2,000 lb	67045	4 lb	\$736.00
20,000 lb	67050	7 lb	\$832.00
25,000 lb	67051	7 lb	\$832.00

Dimensions

Rated Capacity	A1	A2	B	C	D	E	F	G	CONDUIT ADAPTER
lb/in									
2,000	1.22	1.22	7.50	6.25	0.62	0.50	1.12	1.25	1/2-14 NPT
20,000 to 25,000	1.44	1.94	8.75	7.50	0.62	0.81	1.62	1.99	1/2-14 NPT



Interchangeable Products

- RICE LAKE WEIGHING SYSTEMS
RL77032SS HE.....page 132
- VPG SENSORTRONICS
65016WH.....page 292

Weigh Module Available

- RICE LAKE WEIGHING SYSTEMS
RL1600 Series.....page 70

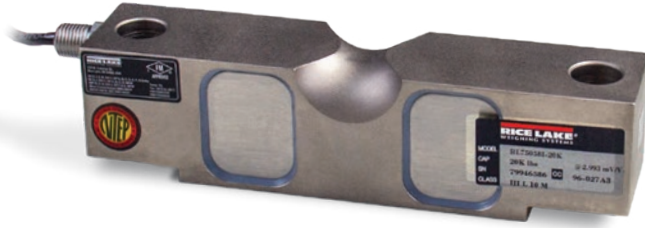
Specifications

- Full Scale Output:**
3.0 mV/V
- Output Resistance:**
699 to 707 ohm
- Input Resistance:**
686 to 714 ohm
- Material/Finish:**
Stainless steel
- Temperature:**
Operating range
0 °F to 150 °F (-18 °C to 65 °C)
- Seal Type:**
Hermetically sealed, IP69K
- Safe Overload:**
150% full scale
- Safe Sideload:**
100% full scale
- Rated Excitation:**
5 to 10 VDC (15 V maximum)
- Insulation Resistance:**
2,000 megohm
- Cable Length:**
25 ft
- Cable Diameter:**
0.200 in
Polyurethane jacket
- Cable Color Code:**
Red +Excitation
Black -Excitation
Green +Signal
White -Signal
- Warranty:**
Two-year limited
- Approvals:**
cMus

**RICE LAKE
LOAD CELLS**

RL75058I for Rice Lake Coil Scale

Alloy Steel, Environmentally Sealed, NTEP Certified 1:5,000 Class III Multiple Cell, IP67



Picture is a representation of actual product.

Approvals

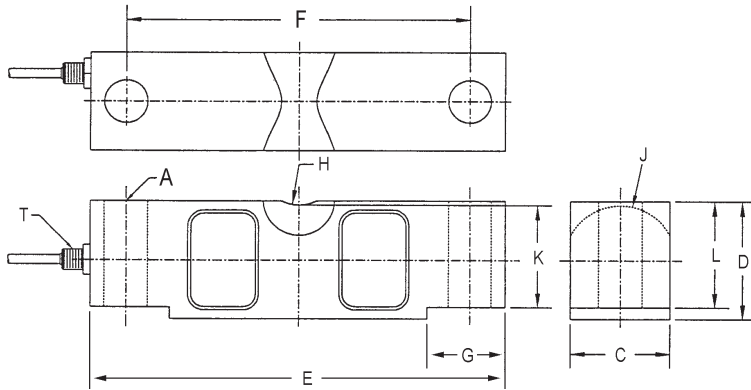


Order Information

Load Rating	Part #	Est. Weight	Price
20,000 lb	121439	8 lb	\$673.00
25,000 lb	121440	8 lb	\$673.00
40,000 lb	121441	13 lb	\$805.00
50,000 lb	121442	19 lb	\$885.00
60,000 lb	121443	19 lb	\$885.00
75,000 lb	121444	19 lb	\$885.00

Dimensions

Rated Capacity	A	C	D	E	F	G	H	J	K	L	T
lb/in											
20,000 to 25,000	0.68	1.69	1.94	7.75	6.50	1.38	0.75	0.90	1.63	1.70	1/4-18 NPT
40,000	0.81	1.94	2.44	10.25	8.50	1.93	1.00	1.12	2.00	2.10	1/4-18 NPT
50,000 to 75,000	1.06	2.44	2.94	10.25	8.50	1.93	1.00	1.37	2.54	2.65	1/2-14 NPT



Specifications

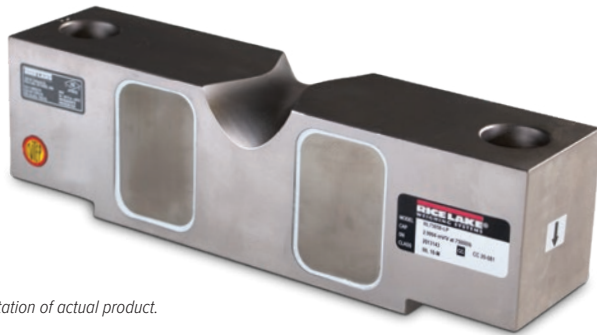
- Full Scale Output:**
3.0 mV/V
- Output Resistance:**
699 to 707 ohm
- Input Resistance:**
686 to 714 ohm
- Material/Finish:**
High-alloy steel, nickel plated
- Temperature:**
Compensated:
14 °F to 104 °F/-10 °C to 40 °C
Operating:
0 °F to 150 °F/-18 °C to 65 °C
- Seal Type:**
Environmentally sealed, IP67
- Safe Overload:**
150% full scale
- Safe Sideload:**
100% full scale
- Rated Excitation:**
5 to 10 VDC (15 V maximum)
- Combined Error:**
0.02% full scale
- Insulation Resistance:**
5,000 megohm
- Cable Length:**
35 ft
- Cable Diameter:**
20,000 lb: 0.200 in
40,000 to 75,000 lb: 0.305 in
Polyurethane jacket
- Cable Color Code:**
Red +Excitation
Black -Excitation
Green +Signal
White -Signal
- Warranty:**
Two-year limited
- Approvals:**
NTEP 98-143
cFMus

RICE LAKE
LOAD CELLS



Alloy Steel, Environmentally Sealed, NTEP Certified 1:10,000 Class IIIIL Multiple Cell, IP67

DOUBLE-ENDED BEAM RL75058-LP



Picture is a representation of actual product.

Approvals



Order Information

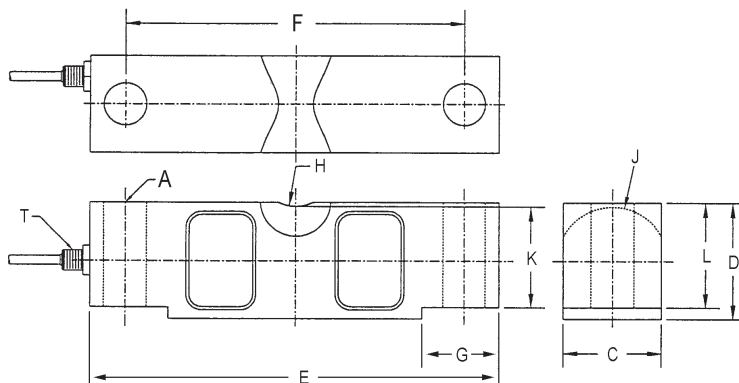
Load Rating	Part #	Est. Weight	Price
NTEP Certified 35 ft Cable			
20,000 lb	197770	8 lb	\$673.00
25,000 lb	197771	8 lb	\$673.00
40,000 lb	197772	13 lb	\$805.00
50,000 lb	197773	19 lb	\$885.00
60,000 lb	197774	19 lb	\$885.00
75,000 lb	197775	19 lb	\$885.00
100,000 lb	197776	40 lb	\$1,669.00
125,000 lb	197777	40 lb	\$1,669.00
Non-NTEP Certified 35 ft Cable			
10,000 lb	197769	8 lb	\$652.00
NTEP Certified 60 ft Cable			
50,000 lb	197778	20 lb	\$995.00
75,000 lb**	197781	20 lb	\$995.00
75,000 lb*	197782	20 lb	\$1,100.00
125,000 lb	197779	40 lb	\$1,800.00
NTEP Certified 100 ft Cable			
75,000 lb	197780	22 lb	\$1,100.00

*Stainless steel overbraid cable

**Used in Rice Lake truck scales

Dimensions

Rated Capacity	A	C	D	E	F	G	H	J	K	L	T
lb/in											
10,000 to 25,000	0.68	1.69	1.94	7.75	6.50	1.38	0.75	0.90	1.63	1.70	1/4-18 NPT
40,000	0.81	1.94	2.44	10.25	8.50	1.93	1.00	1.12	2.00	2.10	1/4-18 NPT
50,000 to 75,000	1.06	2.44	2.94	10.25	8.50	1.93	1.00	1.37	2.54	2.65	1/2-14 NPT
100,000 to 125,000	1.62	2.90	3.86	15.25	12.75	3.13	1.50	1.80	3.30	3.43	1/2-14 NPT



Interchangeable Products

VPG® SENSORTRONICS®	
65058A	page 293
VPG® CELTRON®	
CLB	page 196
ARTECH®	
70210	
ARTECH®	
70310	

Weigh Module Available

RICE LAKE WEIGHING SYSTEMS	
RL2100HE	page 32
RICE LAKE WEIGHING SYSTEMS	
MVS	page 74

Specifications

- Full Scale Output:** 3.0 mV/V
- Output Resistance:** 700 (± 5) ohm
- Input Resistance:** 770 (± 10) ohm
- Material/Finish:** High-alloy steel, nickel plated
- Temperature:** Compensated: 14 °F to 104 °F (-10 °C to 40 °C)
Operating: 0 °F to 150 °F (-18 °C to 65 °C)
- Seal Type:** Environmentally sealed, IP67
- Safe Overload:** 150% full scale
- Safe Sideload:** 100% full scale
- Rated Excitation:** 5 to 10 VDC (15 V maximum)
- Combined Error:** 0.02% full scale
- Insulation Resistance:** 5,000 megohm
- Cable Length:** 35 ft, 60 ft, 100 ft
- Cable Diameter:** 10,000 to 25,000 lb: 0.200 in
40,000 to 125,000 lb: 0.305 in
Polyurethane jacket
- Cable Color Code:** Red +Excitation
Black -Excitation
Green +Signal
White -Signal
- Warranty:** Two-year limited
- Approvals:** NTEP 20-081
cFMus

RICE LAKE
LOAD CELLS

RL75058S-LP

Stainless Steel, Hermetically Sealed, NTEP Certified 1:10,000 Class IIII Multiple Cell, IP68/69K



Picture is a representation of actual product.

Approvals

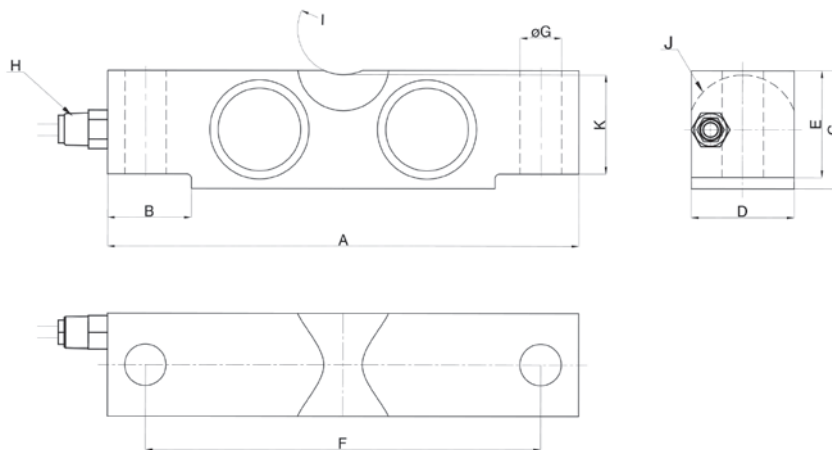


Order Information

Load Rating	Part #	Est. Weight	Price
NTEP Certified 35 ft Cable			
20,000 lb	197797	8 lb	\$927.00
25,000 lb	197798	8 lb	\$927.00
35,000 lb	198431	13 lb	\$1,095.00
40,000 lb	198430	13 lb	\$1,160.00
50,000 lb	197799	19 lb	\$1,160.00
60,000 lb	197800	19 lb	\$1,160.00
75,000 lb	197801	19 lb	\$1,160.00
100,000 lb	197803	40 lb	\$1,895.00
125,000 lb	197804	40 lb	Consult
Non-NTEP Certified 35 ft Cable			
10,000 lb	197796	8 lb	\$864.00
NTEP Certified 60 ft Cable			
75,000 lb	197802	20 lb	\$1,240.00
NTEP Certified 100 ft Cable			
75,000 lb	225266	20 lb	\$1,325.00

Dimensions

Rated Capacity	A	B	C	D	E	F	ØG	H	I	J	K
lb/in											
10,000 to 25,000	7.75	1.38	1.94	1.69	1.70	6.50	0.68	1/4-18 NPT	R19.1	R22.9	1.63
40,000	10.25	1.93	2.44	1.94	2.10	8.50	0.81	1/4-18 NPT	R25.4	R28.5	2.00
35,000 to 75,000	10.25	1.93	2.94	2.44	2.65	8.50	1.06	1/2-14 NPT	R25.4	R34.8	2.54
100,000 to 125,000	15.25	3.13	3.86	2.90	3.43	12.75	1.62	1/2-14 NPT	R38.1	R45.7	3.30



Interchangeable Products

VPG® SENSORTRONICS®
65058S..... page 294

Weigh Module Available

RICE LAKE WEIGHING SYSTEMS
RL2100HE..... page 32
 RICE LAKE WEIGHING SYSTEMS
MVS..... page 74

Specifications

- Full Scale Output:**
3.0 mV/V
- Output Resistance:**
700 (± 7) ohm
- Input Resistance:**
700 (± 14) ohm
- Material/Finish:**
Stainless steel
- Temperature:**
Compensated:
14 °F to 104 °F (-10 °C to 40 °C)
Operating:
0 °F to 150 °F (-18 °C to 65 °C)
- Seal Type:**
Hermetically sealed, IP68/IP69K
- Safe Overload:**
150% full scale
- Safe Sideload:**
100% full scale
- Rated Excitation:**
5 to 10 VDC (15 V maximum)
- Combined Error:**
0.02% full scale
- Insulation Resistance:**
5,000 megohm
- Cable Length:**
35 ft
60 ft
- Cable Diameter:**
10,000 to 25,000 lb: 0.200 in
35,000 to 125,000 lb: 0.305 in
Polyurethane jacket
- Cable Color Code:**
Red +Excitation
Black -Excitation
Green +Signal
White -Signal
- Warranty:**
Two-year limited
- Approvals:**
NTEP 20-081
cFMus

RICE LAKE
LOAD CELLS

Limited Stock Available

DOUBLE-ENDED BEAM
RL75060S

Stainless Steel, Welded Seal, NTEP Certified 1:5,000 III/1:10,000 Class IIIL Multiple Cell, IP67



Picture is a representation of actual product.

Approvals

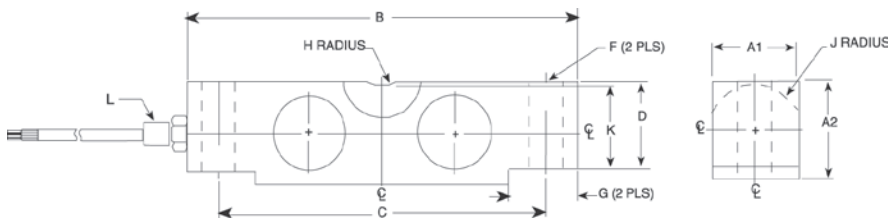


Order Information

Load Rating	Part #	Est. Weight	Price
35 ft Cable			
100,000 lb	50564	19 lb	\$2,115.00
60 ft Cable			
25,000 lb	157931	6 lb	\$1,050.00

Dimensions

Rated Capacity	F	A1	A2	B	C	G	H	J	K	D	L
lb/in											
25,000	0.68	1.69	1.94	7.75	6.50	1.38	0.75	0.90	1.63	1.70	1/4-18 NPT
100,000	1.06	2.44	3.44	10.25	8.50	1.93	1.00	1.37	2.54	2.65	1/2-14 NPT



Weigh Module Available

- RICE LAKE WEIGHING SYSTEMS
RL2100HE..... page 32
- RICE LAKE WEIGHING SYSTEMS
MVS.....page 74

Specifications

Full Scale Output:
3.0 mV/V

Output Resistance:
699 to 707 ohm

Input Resistance:
686 to 714 ohm

Material/Finish:
Stainless steel

Temperature:
Compensated:
14 °F to 104 °F (-10 °C to 40 °C)
Operating:
0 °F to 150 °F (-18 °C to 65 °C)

Seal Type:
Welded-seal, IP67

Safe Overload:
150% full scale

Safe Sideload:
100% full scale

Rated Excitation:
5 to 10 VDC (15 V maximum)

Combined Error:
0.02% full scale

Insulation Resistance:
1,000 megohm

Cable Length:
35 ft
60 ft

Cable Diameter:
25,000 lb: 0.200 in
100,000 lb: 0.305 in
Polyurethane jacket

Cable Color Code:
Red +Excitation
Black -Excitation
Green +Signal
White -Signal

Warranty:
Two-year limited

Approvals:
NTEP 96-027
cFMus

**RICE LAKE
LOAD CELLS**

RL75223

Alloy Steel, Welded Seal, NTEP Certified 1:10,000 Class IIIIL Multiple Cell, IP67



Picture is a representation of actual product.

Approvals

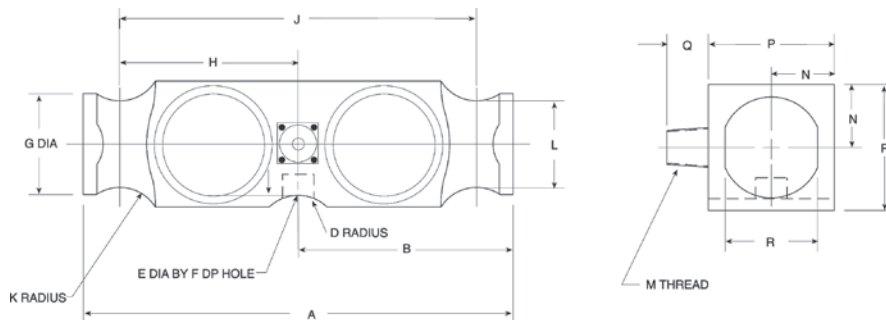


Order Information

Load Rating	Part #	Est. Weight	Price
40 ft Cable			
50,000 lb	21611	20 lb	\$900.00
65,000 lb	21612	20 lb	\$900.00
100,000 lb	21613	20 lb	\$1,160.00
60 ft Cable			
50,000 lb	107583	20 lb	\$980.00

Dimensions

Rated Capacity	A	B	D	E	F	G	H	J	K	L	M	N	P	Q	R
50,000 to 65,000	10.25	5.12	1.00	0.75	0.78	2.40	4.25	8.50	1.00	2.06	1/2-14 NPT	1.50	3.00	1.03	2.20
100,000	10.25	5.12	1.00	—	—	2.40	4.25	8.50	1.00	2.06	1/2-14 NPT	1.50	3.00	1.03	2.20



RICE LAKE LOAD CELLS

Interchangeable Products

- VPG® REVERE
5223page 257
- VPG® SENSORTRONICS®
65040A-XX-1127W..... page 298
- ARTECH®
80210
- THURMAN®
TSC 800
- UNIBRIDGE®
DL9000

Weigh Module Available

- RICE LAKE WEIGHING SYSTEMS
Translink™page 75

Specifications

- Full Scale Output:**
3.0 mV/V
- Output Resistance:**
699 to 707 ohm
- Input Resistance:**
686 to 714 ohm
- Material/Finish:**
High-alloy steel
- Temperature:**
Compensated:
14 °F to 104 °F (-10 °C to 40 °C)
Operating:
0 °F to 150 °F (-18 °C to 65 °C)
- Seal Type:**
Welded-seal, IP67
- Safe Overload:**
150% full scale
- Safe Sideload:**
100% full scale
- Rated Excitation:**
5-10 VDC (15 V maximum)
- Combined Error:**
0.03% full scale
- Non-repeatability:**
0.01% full scale
- Insulation Resistance:**
5,000 megohm
- Deflection at Capacity:**
50,000 lb: 0.018 in
65,000 lb: 0.022 in
100,000 lb: 0.034 in
- Cable Length:**
40 ft
60 ft
- Cable Diameter:**
0.305 in
Polyurethane jacket
- Cable Color Code:**
Red +Excitation
Black -Excitation
Green +Signal
White -Signal
- Warranty:**
Two-year limited
- Approvals:**
NTEP 97-126
cFMus

DOUBLE-ENDED BEAM
RLDB50000S

Stainless Steel, Welded Seal, NTEP Certified 1:10,000 IILL Multiple Cell, IP67



Picture is a representation of actual product.

Approvals

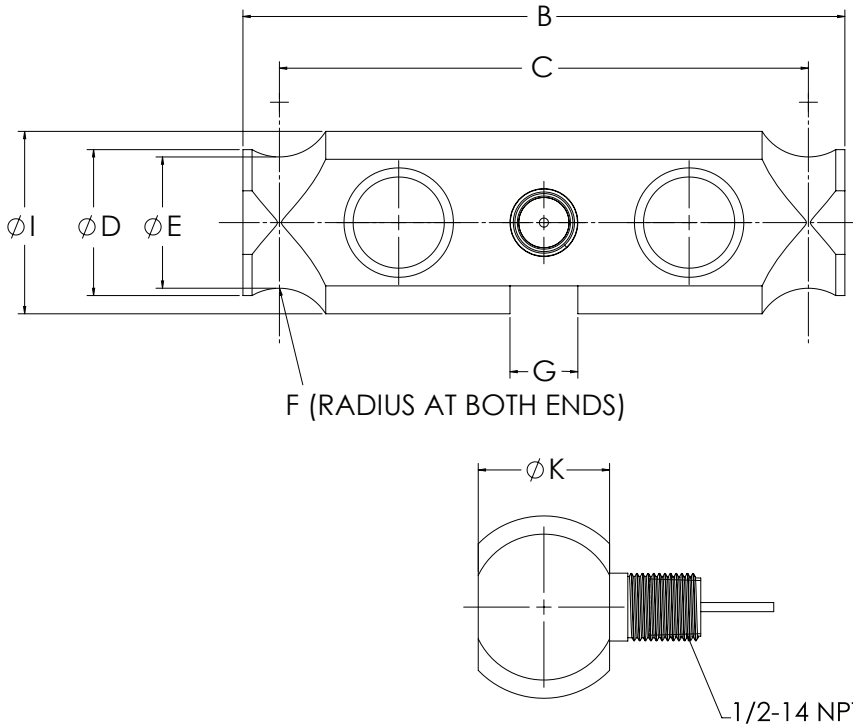


Order Information

Load Rating	Part #	Est. Weight	Price
50,000 lb	91765	10 lb	\$1,275.00

Dimensions

Rated Capacity	B	C	D	E	F	G	K	I
50,000 lb/in	8.25	7.25	2.00	1.76	0.75	0.93	1.80	2.50



Interchangeable Products

CARDINAL®
DB50000S

Specifications

Full Scale Output:

2.0 (± 0.1%) mV/V

Output Resistance:

699 to 707 ohm

Input Resistance:

686 to 714 ohm

Material/Finish:

Stainless steel

Temperature:

Compensated:

14 °F to 104 °F (-10 °C to 40 °C)

Operating:

0 °F to 150 °F (-18 °C to 65 °C)

Seal Type:

Welded-seal, IP67

Safe Overload:

150% full scale

Safe Sideload:

100% full scale

Rated Excitation:

5 to 10 VDC (15 V maximum)

Combined Error:

0.03% full scale

Non-repeatability:

0.01% full scale

Insulation Resistance:

5,000 megohm

Deflection at Capacity:

0.01 in

Cable Length:

35 ft

Cable Diameter:

0.305 in

Polyurethane jacket

Cable Color Code:

Red +Excitation

Black -Excitation

White +Signal

Green -Signal

Warranty:

Two-year limited

Approvals:

NTEP 92-018

cFMus

**RICE LAKE
 LOAD CELLS**

RL75040

Alloy Steel, Environmentally Sealed, NTEP Certified 1:10,000 Class IIIIL Multiple Cell, IP67



Picture is a representation of actual product.

Approvals



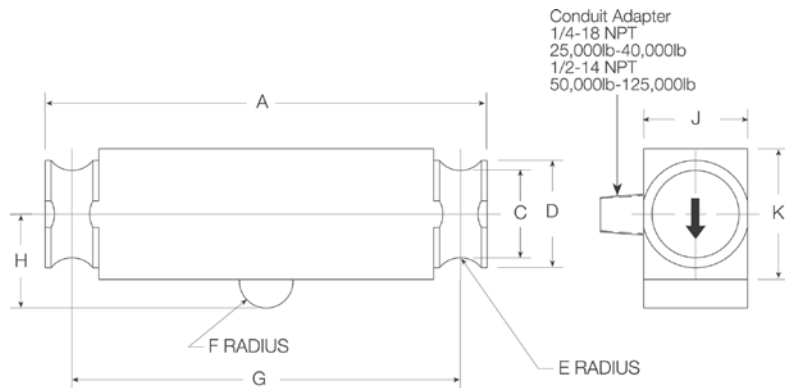
Order Information

Load Rating	Part #	Est. Weight	Price
35 ft Cable			
25,000 lb	21614	11 lb	\$675.00
40,000 lb	21615	12 lb	\$805.00
50,000 lb LE	21616	17 lb	\$885.00
60,000 lb LE	21617	17 lb	\$885.00
75,000 lb	21618	17 lb	\$885.00
100,000 lb	21619	40 lb	\$1,669.00
125,000 lb	21620	40 lb	\$1,669.00
40 ft Cable			
50,000 lb SE	87253	11 lb	\$805.00
60,000 lb SE	53593	11 lb	\$805.00
50 ft Cable			
50,000 lb LE	21621	18 lb	\$925.00
60,000 lb LE	21622	18 lb	\$925.00
75,000 lb	40951	18 lb	\$925.00

SE=small envelope; LE=large envelope

Dimensions

Rated Capacity	A	C	D	E	F	G	H	J	K
lb/in									
25,000 to 60,000 SE	8.25	1.63	2.00	0.50	0.50	7.25	1.75	1.94	2.44
50,000 LE to 75,000	11.50	1.70	2.20	0.75	1.00	10.00	2.00	1.94	2.94
100,000 to 125,000	14.50	2.44	3.20	1.00	1.50	12.50	2.75	2.90	3.86



Interchangeable Products

- VPG® SENSORTRONICS®
- 65040Apage 296
- ARTECH®
- 80310
- THURMAN®
- TSC 840
- SENTRAN
- WD1
- ANYLOAD
- 102TH

Weigh Module Available

- RICE LAKE WEIGHING SYSTEMS
- Translink™page 75

Specifications

- Full Scale Output:**
3.0 mV/V
- Output Resistance:**
700 (± 5) ohm
- Input Resistance:**
770 (± 10) ohm
pn 87253 and 53593: 686 to 714 ohms
- Material/Finish:**
High-alloy steel, nickel plated
- Temperature:**
Compensated:
14 °F to 104 °F (-10 °C to 40 °C)
Operating:
0 °F to 150 °F (-18 °C to 65 °C)
- Seal Type:**
Environmentally sealed, IP67
- Safe Overload:**
150% full scale
- Safe Sideload:**
100% full scale
- Rated Excitation:**
5 to 10 VDC (15 V maximum)
- Combined Error:**
0.03% full scale
- Insulation Resistance:**
1,000 megohm
- Cable Length:**
35 ft
40 ft
50 ft
- Cable Diameter:**
25,000 lb: 0.200 in
40,000 to 75,000 lb: 0.305 in
Polyurethane jacket
- Cable Color Code:**
Red +Excitation
Black -Excitation
Green +Signal
White -Signal
- Warranty:**
Two-year limited
- Approvals:**
NTEP 00-027
cFMus



Picture is a representation of actual product.

Approvals

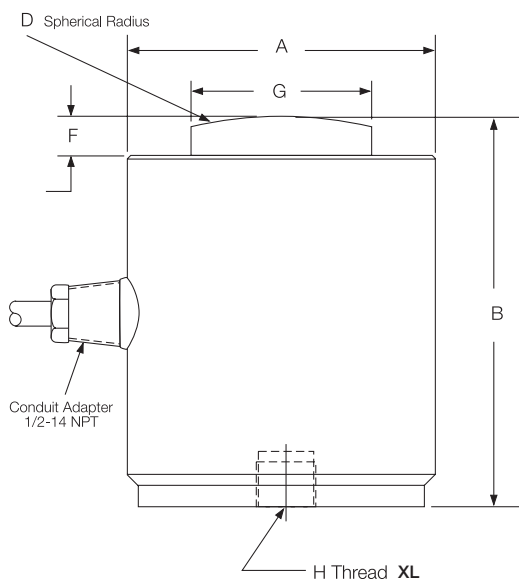


Order Information

Load Rating	Part #	Est. Weight	Price
35 ft Cable			
25,000 lb	32702	7 lb	\$1,925.00
50,000 lb	32701	7 lb	\$1,925.00
100,000 lb	32700	15 lb	\$2,250.00
200,000 lb	32699	28 lb	\$3,175.00
80 ft Cable			
200,000 lb	197788	30 lb	\$3,350.00

Dimensions

Rated Capacity	A	B	D	F	G	H	L-DEPTH
lb/in							
25,000 to 50,000	3.00	3.25	6.00	0.40	1.25	1/2-20 UNF	0.31
100,000	4.00	5.00	6.00	0.51	2.31	3/4-16 UNF	0.56
200,000	6.00	7.25	17.00	1.04	3.13	3/4-16 UNF	0.75



Interchangeable Products

- VPG® REVERE
CSP page 265
- VPG® SENSORTRONICS®
65088-1000
- VPG® REVERE
692B
- HOWE RICHARDSON®
244699-000X
- STREETER AMET®
3760XXX

Weigh Module Available

- RICE LAKE WEIGHING SYSTEMS
MagnaMount™ page 77

Specifications

- Full Scale Output:**
2.0 mV/V
- Output Resistance:**
475.2 to 484.8 ohm
- Input Resistance:**
445.5 to 454.5 ohm
- Material/Finish:**
Stainless steel
- Temperature:**
Compensated:
14 °F to 104 °F (-10 °C to 40 °C)
Operating:
0 °F to 150 °F (-18 °C to 65 °C)
- Seal Type:**
Welded-seal, IP67
- Safe Overload:**
150% full scale
- Rated Excitation:**
5 to 10 VDC (15 V maximum)
- Combined Error:**
0.03% full scale
- Non-repeatability:**
0.01% full scale
- Insulation Resistance:**
1,000 megohm
- Deflection at Capacity:**
25,000 to 50,000 lb: 0.003 in
100,000 to 125,000 lb: 0.006 in
- Cable Length:**
35 ft
80 ft
- Cable Diameter:**
0.305 in
Polyurethane jacket
- Cable Color Code:**
Green +Excitation
Black -Excitation
White +Signal
Red -Signal
Orange Shield
- Warranty:**
Two-year limited
- Approvals:**
NTEP 95-140



COMPRESSION CANISTER
RL8C2P1SST

Stainless Steel, Hermetically Sealed, NTEP Certified 1:10,000 Class IIIIL Multiple Cell, IP68



Picture is a representation of actual product.

Approvals

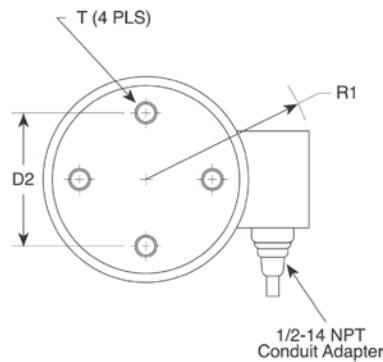
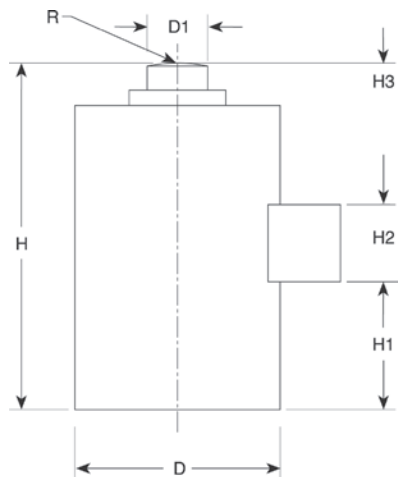


Order Information

Load Rating	Part #	Est. Weight	Price
50,000 lb	34855	20 lb	\$2,325.00
100,000 lb	34856	36 lb	\$2,325.00
200,000 lb	34857	75 lb	\$3,598.00

Dimensions

Rated Capacity	D	D1	D2	H	H1	H2	H3	R	R1	T
lb/in										
50,000	4.50	1.25	2.38	7.50	1.17	0.75	0.75	8.00	3.75	3/8-24 UNF x .63 DP
100,000	5.75	1.75	4.00	9.13	2.00	0.87	1.05	12.00	4.05	1/2-20 UNF x .75 DP
200,000	7.50	2.50	5.50	11.63	2.93	0.97	0.97	12.00	5.11	5/8-18 UNF x 25.4 DP



Interchangeable Products

VPG® REVERSE

792..... page 266

Specifications

Full Scale Output:

2.0 mV/V

Output Resistance:

350 (±3.5) ohm

Input Resistance:

350 (±3.5) ohm

Material/Finish:

Stainless steel

Temperature:

Compensated: 14 °F to 104 °F (-10 °C to 40 °C)

Operating: 0 °F to 150 °F (-18 °C to 65 °C)

Seal Type:

Hermetically sealed, IP68

Safe Overload:

150% full scale

Rated Excitation:

10 VDC (15 V maximum)

Combined Error:

0.03% full scale

Non-repeatability:

0.01% full scale

Insulation Resistance:

>1,000 megohm

Deflection at Capacity:

50,000 lb: 0.004 in

100,000 lb: 0.006 in

200,000 lb: 0.009 in

Cable Length:

35 ft

Cable Color Code:

Green +Excitation

Black -Excitation

White +Signal

Red -Signal

Orange Shield

Warranty:

Two-year limited

Approvals:

NTEP 92-218

cFMus

RICE LAKE
LOAD CELLS



Picture is a representation of actual product.

Approvals

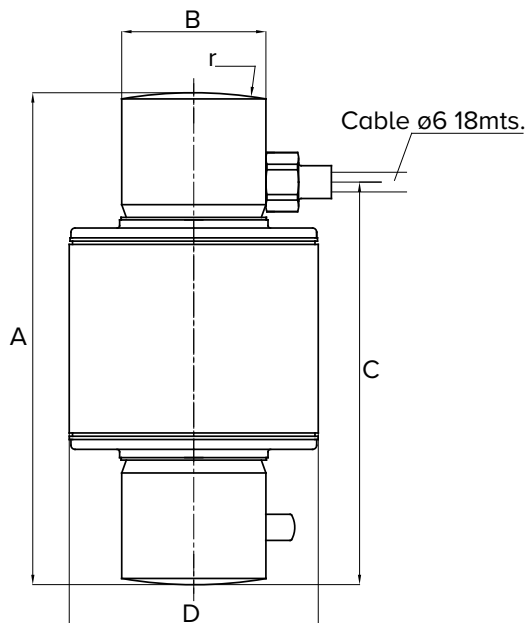


Order Information

Load Rating	Part #	Est. Weight	Price
30t	226612	8 lb	\$695.00
50t	226613	8 lb	\$695.00
Load Cup			
30t	226969	7.50 lb	\$110.00
50t	226970	7.94 lb	\$110.00

Dimensions

Rated Capacity	A	Ø B	C	D	r
t/mm					
15	150.0	44.0	123.0	76.0	130.0
20	150.0	44.0	123.0	76.0	130.0
25	150.0	44.0	123.0	76.0	150.0
30	150.0	44.0	123.0	76.0	160.0
40	150.0	44.0	123.0	76.0	180.0
50	150.0	44.0	123.0	76.0	180.0



Specifications

Full Scale Output:
2.0 mV/V

Output Resistance:
705 (± 5) ohm

Input Resistance:
800 (± 5) ohm

Material/Finish:
Stainless steel

Temperature:
Compensated:
14 °F to 104 °F (-10 °C to 40 °C)
Operating:
0 °F to 150 °F (-18 °C to 65 °C)

Seal Type:
Hermetically sealer, IP69K

Safe Overload:
120% full scale

Rated Excitation:
5 to 10 VDC

Combined Error:
0.013% full scale

Non-repeatability:
0.01% full scale

Insulation Resistance:
5,000 megohm

Deflection at Capacity:
0.621 mm

Cable Length:
18 m overbraid cable

Cable Color Code:
Green +Excitation
Black -Excitation
Red +Signal
White -Signal
Blue +Sense
Yellow -Sense

Warranty:
Two-year limited

Approvals:
NTEP 24-109

**RICE LAKE
LOAD CELLS**

ROCKER COLUMN
RL82021

Stainless Steel, Hermetically Sealed, NTEP Certified 1:10,000 Class III L Multiple Cell, IP69K



Picture is a representation of actual product.

Approvals

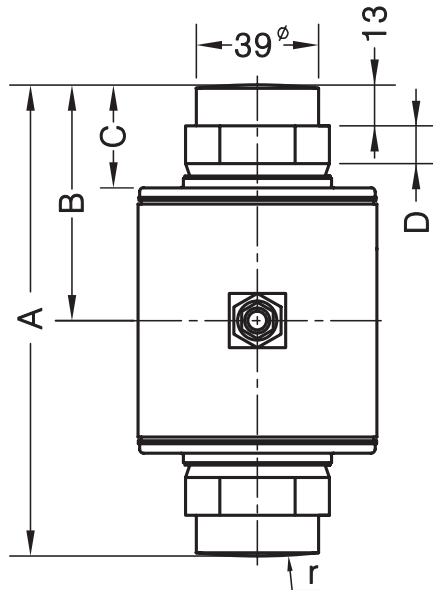


Order Information

Load Rating	Part #	Est. Weight	Price
30 t	221271	8 lb	\$695.00
40 t	207495	8 lb	\$695.00
Load Cup Kits			
30 t	223356	7.50 lb	\$110.00
40 t	223357	7.94 lb	\$110.00

Dimensions

Rated Capacity	A	B	C	D	Ball r
t/in					
30	5.51	2.76	1.10	0.28	7.09
40	5.91	2.95	1.30	0.47	7.87



Specifications

- Full Scale Output:**
2.0 mV/V
- Output Resistance:**
1,005 (± 5) ohm
- Input Resistance:**
1,150 (± 50) ohm
- Material/Finish:**
Stainless steel
- Temperature:**
Compensated:
14 °F to 104 °F (-10 °C to 40 °C)
Operating:
0 °F to 150 °F (-18 °C to 65 °C)
- Seal Type:**
Hermetically sealer, IP69K
- Safe Overload:**
120% full scale
- Rated Excitation:**
5 to 10 VDC
- Combined Error:**
0.013% full scale
- Non-repeatability:**
0.01% full scale
- Insulation Resistance:**
5,000 megohm
- Deflection at Capacity:**
0.621 mm
- Cable Length:**
18 m overbraid cable
- Cable Color Code:**
Green +Excitation
Black -Excitation
Red +Signal
White -Signal
Blue +Sense
Yellow -Sense
- Warranty:**
Two-year limited
- Approvals:**
NTEP 21-071

RICE LAKE
LOAD CELLS



Picture is a representation of actual product.

Approvals



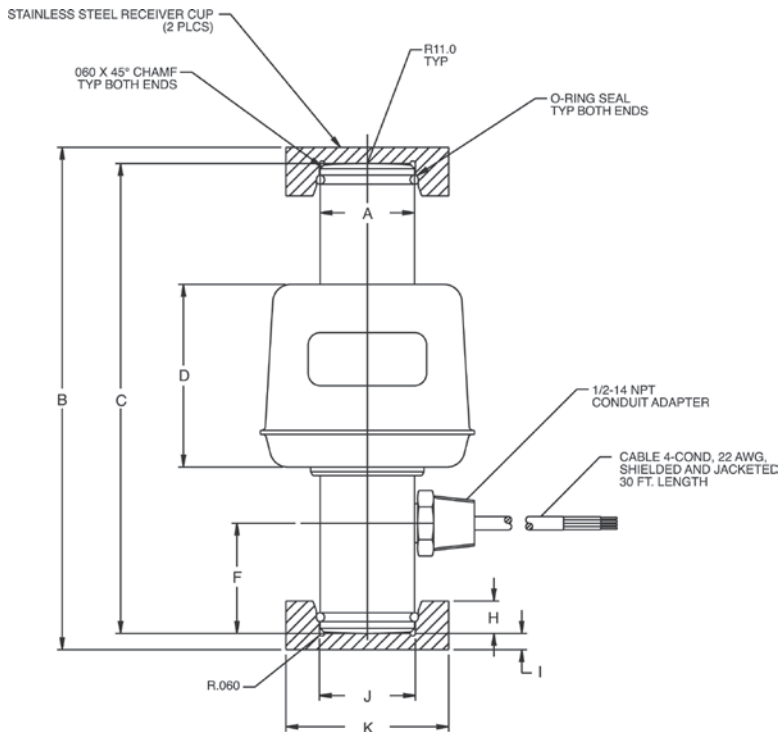
Order Information

Load Rating	Part #	Est. Weight	Price
50,000 lb*	68918	7 lb	\$1,285.00
Replacement Parts			
Replacement load cup set upper and lower included	85433	1 lb	\$100.00
Replacement O-ring	92988	1 lb	\$1.00/each

*Load cell supplied with load cups

Dimensions

Rated Capacity	A	B	C	D	F	H	I	J	K
50,000 lb/in	1.46	7.75	7.25	2.82	1.70	0.50	0.25	1.48	2.50



Interchangeable Products

CARDINAL®
SCA-50K

Specifications

Full Scale Output:

2 mV/V nominal

Output Resistance:

1,050 (± 10) ohm

Input Resistance:

1,100 to 1,500 ohm

Material/Finish:

Stainless steel

Temperature:

Compensated:

14 °F to 104 °F (-10 °C to 40 °C)

Operating:

0 °F to 150 °F (-18 °C to 65 °C)

Seal Type:

Welded-seal, IP67

Safe Overload:

150% full scale

Rated Excitation:

5 to 10 VDC (15 V maximum)

Combined Error:

0.025% full scale

Non-repeatability:

0.01% full scale

Insulation Resistance:

1,000 megohm

Cable Length:

30 ft

Cable Diameter:

0.200 in

Polyurethane jacket

Cable Color Code:

Green +Excitation

Black -Excitation

Red +Signal

White -Signal

Warranty:

Two-year limited

Approvals:

NTEP 01-073

cFMus

RL70510/RL80453

Stainless Steel, Hermetically Sealed, NTEP Certified 1:10,000 Class III L, IP69K



Picture is a representation of actual product.

Approvals



Order Information: RL70510

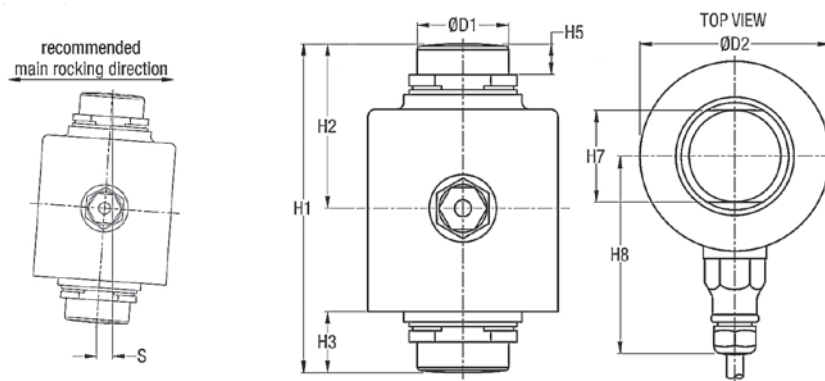
Load Rating	Part #	Est. Weight	Price
30t	169363	6 lb	\$1,044.00
Upper load cup	109332	4 lb	\$143.00
Lower load cup	109331	4 lb	\$116.00

Order Information: RL80453

Load Rating	Part #	Est. Weight	Price
100,000 lb	169365	6 lb	\$1,070.00
Upper load cup	109332	4 lb	\$143.00
Lower load cup	109331	4 lb	\$116.00

Dimensions

Rated Capacity	H1	H2	H3	H5	H7	H8	D1	D2
t/in								
30	5.51	2.76	1.02	0.51	1.54	3.32	1.54	3.18
lb/in								
100,000	5.91	2.95	1.30	0.51	1.54	3.32	1.54	3.18



Interchangeable Products

FAIRBANKS®	
70510 LCF HR 4020-2A
FAIRBANKS	
80453 LCF HR 4020-21

Specifications

- Full Scale Output:**
2.0 mV/V
- Output Resistance:**
1,000 (± 2) ohm
- Input Resistance:**
1,150 (± 50) ohm
- Material/Finish:**
Stainless steel
- Temperature:**
Compensated:
14 °F to 104 °F (-10 °C to 40 °C)
Operating:
0 °F to 150 °F (-18 °C to 65 °C)
- Seal Type:**
Hermetically sealed, IP69K
- Safe Overload:**
200% full scale
- Rated Excitation:**
5 to 10 VDC (15 V max)
- Combined Error:**
0.02% full scale
- Insulation Resistance:**
5,000 megohm
- Cable Length:**
15 ft
- Cable Diameter:**
0.200 in
Stainless steel overbraid cable
- Cable Color Code:**
Green +Excitation
Black -Excitation
White +Signal
Red -Signal
Yellow Shield
- Warranty:**
Two-year limited
- Approvals:**
NTEP 15-057



Picture is a representation of actual product.

Approvals



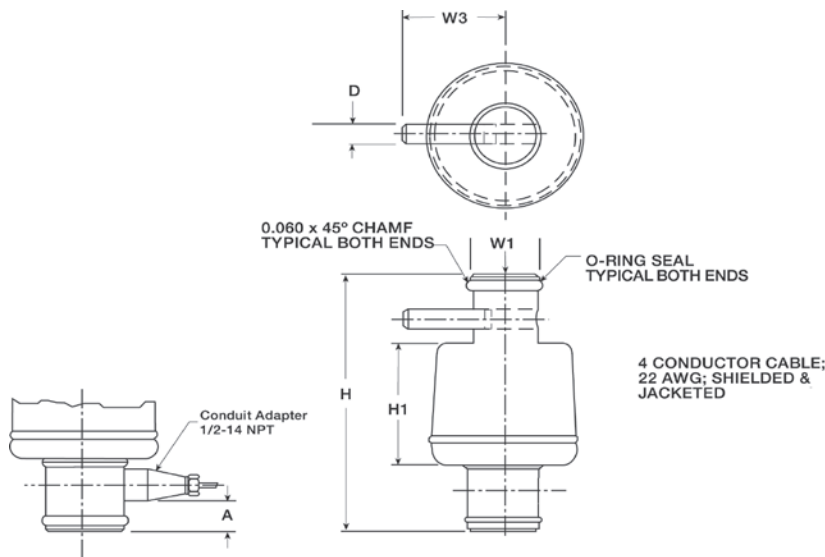
Order Information

Load Rating	Part #	Est. Weight	Price
50,000 lb LE	88074	6 lb	\$1,450.00
Replacement Parts			
Replacement O-ring	92988	1lb	\$1.00
Spring pin	116181	1 lb	\$5.00

LE=Large envelope
 Not interchangeable with Sensortronics 65114 - different mV/V

Dimensions

Rated Capacity	A	D	H	H1	W1	W3
50,000 LE	0.87	0.38	7.56	2.82	1.46	2.18



Interchangeable Products

FAIRBANKS®
64166..... LCF HR 4020-2

Specifications

- Full Scale Output:**
1.8 mV/V nominal
- Output Resistance:**
1,000 (± 10) ohm
- Input Resistance:**
1,000 ohm
- Material/Finish:**
Stainless steel
- Temperature:**
Compensated:
14 °F to 104 °F (-10 °C to 40 °C)
Operating:
0 °F to 150 °F (-18 °C to 65 °C)
- Seal Type:**
Welded-seal, IP67
- Safe Overload:**
150% full scale
- Rated Excitation:**
5 to 10 VDC
- Combined Error:**
0.025% full scale
- Non-repeatability:**
0.01% full scale
- Insulation Resistance:**
1,000 megohm
- Cable Length:**
30 ft
- Cable Diameter:**
0.200 in overbraid cable
- Cable Color Code:**
Green +Excitation
Black -Excitation
White +Signal
Red -Signal
- Warranty:**
Two-year limited
- Approvals:**
NTEP 06-022
cFMus

**RICE LAKE
LOAD CELLS**

COMPRESSION DISK
RL90000

Alloy Steel, Environmentally Sealed, IP67



25K

5K

Picture is a representation of actual product.

Approvals



Order Information

Load Rating	Part #	Est. Weight	Price
5,000 lb*	33061	6 lb	\$850.00
10,000 lb*	33062	6 lb	\$850.00
25,000 lb	33063	9 lb	\$995.00
50,000 lb	33064	9 lb	\$995.00
100,000 lb	33065	13 lb	\$1,150.00
Load Cup**	33616		\$37.00

*5,000 lb and 10,000 lb models can be used in compression and tension load applications.

**Load cup, PN 33616, is required for compression applications on 5,000 lb and 10,000 lb capacity load cells.

Dimensions

Rated Capacity	T	R	D	D1	D2	H	H1	H2	T1	T2
lb/in										
5,000 to 10,000	5/8-18 UNF-3B	—	4.12	1.26	3.50	1.37	0.12	—	0.28	0.406 x 0.283 DP
25,000 to 50,000	—	0.875	4.75	1.53	4.00	2.12	0.50	0.30	0.34	0.508 x 0.38 DP
100,000	—	0.875	5.50	1.98	4.60	2.25	0.25	0.30	0.41	0.626 x 0.4 DP

Interchangeable Products

VPG® CELTRON®

LCDpage 199

Specifications

Full Scale Output:

4.0 mV/V

Output Resistance:

5,000 to 50,000 lb: 350 (± 3) ohm
100,000 lb: 700 (± 5) ohm

Input Resistance:

5,000 to 50,000 lb: 385 (± 5) ohm
100,000 lb: 770 (± 70) ohm

Material/Finish:

High-alloy steel, nickel plated

Temperature:

Operating:
0 °F to 150 °F (-18 °C to 65 °C)

Seal Type:

Environmentally sealed, IP67

Safe Overload:

150% full scale

Safe Sideload:

100% full scale

Rated Excitation:

15 VDC (15 V maximum)

Nonlinearity:

0.05% full scale

Hysteresis:

0.02% full scale

Insulation Resistance:

2,000 megohm

Cable Length:

50 ft

Cable Diameter:

5,000 to 25,000 lb: 0.200 in
50,000 to 100,000 lb: 0.305 in
Polyurethane jacket

Cable Color Code:

Red +Excitation
Black -Excitation
Green +Signal
White -Signal

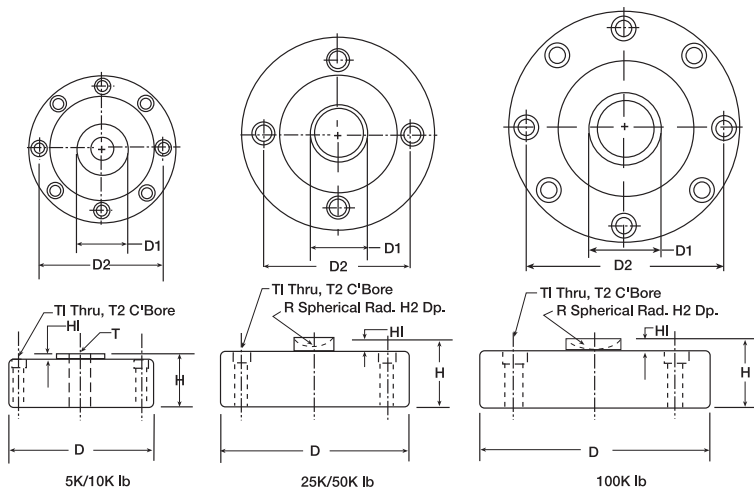
Warranty:

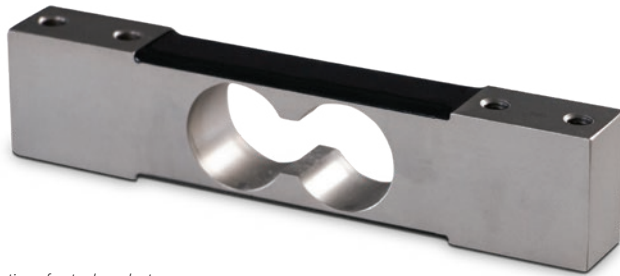
Two-year limited

Approvals:

cFMus

RICE LAKE
LOAD CELLS





Picture is a representation of actual product.

Approvals

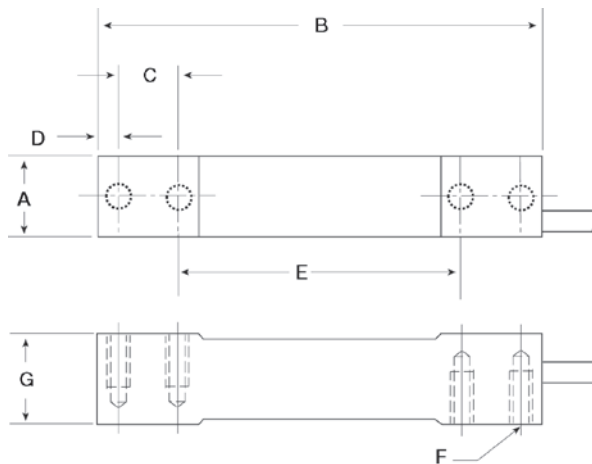


Order Information

Load Rating	Part #	Est. Weight	Price
7 kg	205274	2 lb	\$328.00
10 kg	205275	2 lb	\$328.00
30 kg	205276	2 lb	\$328.00
60 kg	205277	2 lb	\$328.00
100 kg	205278	2 lb	\$328.00
150 kg	205279	2 lb	\$328.00

Dimensions

Rated Capacity	A	B	C	D	E	F	G
kg/mm							
7 to 10	19.0	139.8	19.0	6.6	88.7	M6 × 1.0	30.0
30 to 60	23.8	139.8	19.0	6.6	88.7	M6 × 1.0	30.0
100 to 150	30.7	139.7	22.4	6.6	79.3	3/8-16 UNC	30.0



Interchangeable Products

- RICE LAKE WEIGHING SYSTEMS
RL1380.....page 166
 FLINTEC®
PC3.....page 216
 HBK®
PWS.....page 231

Specifications

Full Scale Output:

2 mV/V

Output Resistance:

350 (± 10) ohm

Input Resistance:

385 (± 15) ohm

Material/Finish:

Stainless steel

Temperature:

Compensated:

14 °F to 104 °F (-10 °C to 40 °C)

Operating:

0 °F to 150 °F (-18 °C to 65 °C)

Seal Type:

Environmentally sealed, IP67

Safe Overload:

150% full scale

Rated Excitation:

5 to 10 VDC

Combined Error:

0.02% full scale

Insulation Resistance:

5,000 megohm

Cable Length:

10 ft

Cable Diameter:

0.140 in

Polyurethane jacket

Cable Color Code:

Green +Excitation

Black -Excitation

White +Signal

Red -Signal

Yellow Shield

Max Platform Size:

7 to 30 kg: 350 × 350 mm

60 to 150 kg: 450 × 450 mm

Warranty:

One-year limited

Approvals:

NTEP 21-017

OIML R60/2017-A-NL1-21.17

RICE LAKE
LOAD CELLS

RLPC4SS-HE

Stainless Steel, Hermetically Sealed, NTEP Certified 1:5,000 Class III Single Cell, IP69K



Picture is a representation of actual product.

Approvals

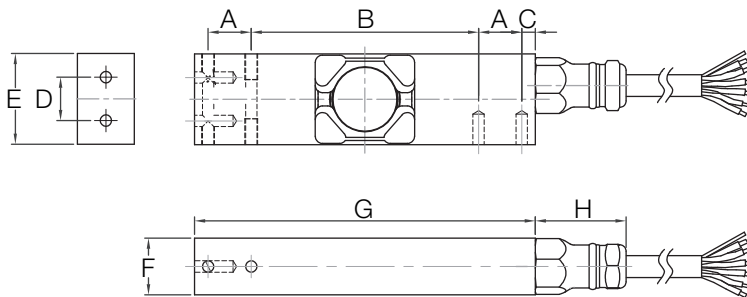


Order Information

Load Rating	Part #	Est. Weight	Price
10 kg	205270	3 lb	\$630.00
20 kg	205271	3 lb	\$630.00
50 kg	205272	3 lb	\$630.00
100 kg	205273	3 lb	\$630.00

Dimensions

Rated Capacity	A	B	C	D	E	F	G	H	I
kg/mm									
10 to 100	19.0	100.0	6.0	19.1	40.0	25.0	150.0	40.0	M4 × 6



Interchangeable Products

FLINTEC®

PC4 page 218

HBK®

PW15AH* page 230

*350 Ohm

Specifications

Full Scale Output:
2 mV/V

Output Resistance:
960 (± 50) ohm

Input Resistance:
1100 (± 50) ohm

Material/Finish:
Stainless steel

Temperature:
Compensated:
14 °F to 104 °F (-10 °C to 40 °C)
Operating:
0 °F to 150 °F (-18 °C to 65 °C)

Seal Type:
Hermetically sealed, IP69K

Safe Overload:
150% full scale

Rated Excitation:
5 to 10 VDC

Combined Error:
0.02% full scale

Insulation Resistance:
> 5,000 megohm

Cable Length:
10 ft

Cable Color Code:

- Green +Excitation
- Black -Excitation
- White +Signal
- Red -Signal
- Blue +Sense
- Brown -Sense
- Yellow Shield

Max Platform Size:
500 × 400 mm

Warranty:
One-year limited

Approvals:
NTEP 21-016
OIML R60/2017-A-NL1-21.18



Picture is a representation of actual product.

Approvals

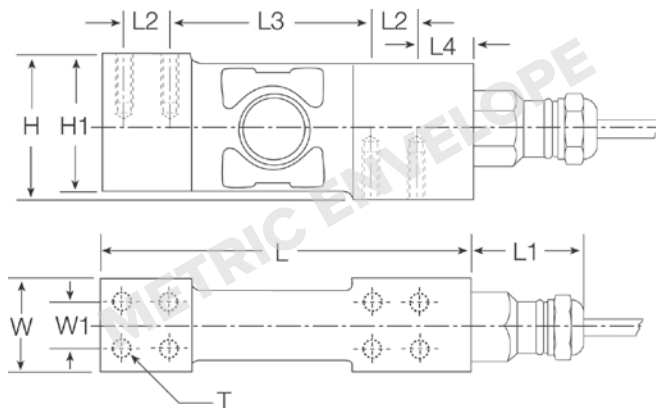


Order Information

Load Rating	Part #	Est. Weight	Price
10 kg	87027	3 lb	\$630.00
20 kg	87028	3 lb	\$630.00
50 kg	87029	3 lb	\$630.00
100 kg	87030	3 lb	\$630.00
200 kg	87031	3 lb	\$630.00

Dimensions

Rated Capacity	H	H1	L	L1	L2	L3	L4	W	W1	T
kg/mm										
10 to 200	48.0	45.5	123.0	41.0	15.2	67.6	17.8	30.1	15.2	8 x M6/15 DP



Interchangeable Products

FLINTEC®
PC6 page 219

Specifications

Full Scale Output:

2.0 mV/V

Output Resistance:

960 (± 50) ohm, nominal

Input Resistance:

1,100 (± 50) ohm

Material/Finish:

Stainless steel

Temperature:

Compensated:

14 °F to 104 °F (-10 °C to 40 °C)

Operating:

0 °F to 150 °F (-18 °C to 65 °C)

Seal Type:

Hermetically sealed, IP69K

Safe Overload:

200% full scale

Safe Sideload:

100% full scale

Rated Excitation:

5 to 10 VDC

Combined Error:

0.02% full scale

Insulation Resistance:

5,000 megohm

Cable Length:

3 m

Cable Diameter:

5 mm

Polyurethane jacket

Deflection at Capacity:

0.15 to 0.25 mm

Cable Color Code:

Green +Excitation

Black -Excitation

White +Signal

Red -Signal

Yellow Shield

Max Platform Size:

610 × 610 mm

Warranty:

Two-year limited

Approvals:

NTEP 06-011

FM

RICE LAKE
LOAD CELLS

RLPWM15HE

Stainless Steel, Hermetically Sealed, NTEP Certified 1:5,000 Class III Single Cell, IP69K



Picture is a representation of actual product.

Approvals

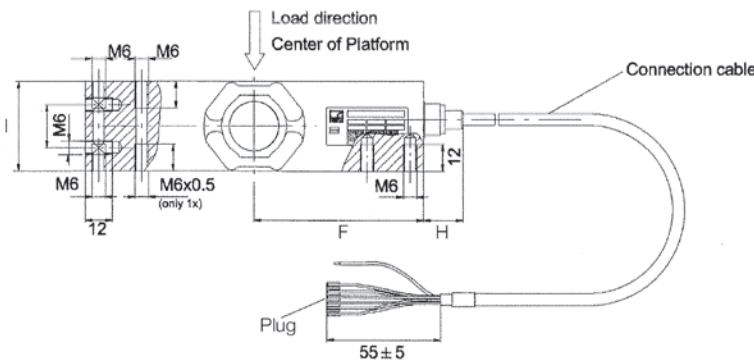


Order Information

Load Rating	Part #	Est. Weight	Price
10 ft Cable			
10 kg	108685	3 lb	\$775.00
20 kg	108686	3 lb	\$775.00
50 kg	108687	3 lb	\$775.00
100 kg	108688	3 lb	\$775.00
2.83 ft Cable			
10 kg	107174	3 lb	\$775.00
20 kg	107175	3 lb	\$775.00
50 kg	107176	3 lb	\$775.00
100 kg	107177	3 lb	\$775.00

Dimensions

Rated Capacity	B	E	F	G	H	I	J
kg/mm							
10 to 100	19.0	25.0	75.0	100.0	17.5	40.0	150.0



Mounting:
Cylindrical head screw M6-10.9
Tightening torque: 14 N·m

Interchangeable Products

HBK®
PW15AH..... page 230

Specifications

- Full Scale Output:**
2.0 mV/V
- Output Resistance:**
350 (± 10) ohm
- Input Resistance:**
380 (± 15) ohm
- Material/Finish:**
Stainless steel
- Temperature:**
Compensated:
14 °F to 104 °F (-10 °C to 40 °C)
Operating:
0 °F to 150 °F (-18 °C to 65 °C)
- Seal Type:**
Hermetically sealed, IP69K
- Safe Overload:**
150% full scale
- Rated Excitation:**
5 to 10 VDC (15 V maximum)
- Combined Error:**
0.02% full scale
- Insulation Resistance:**
1,000 megohm
- Cable Length:**
10 ft
2.83 ft
- Cable Diameter:**
0.212 in PVC jacket
- Cable Color Code:**
Blue +Excitation
Black -Excitation
White +Signal
Red -Signal
Green +Sense
Grey -Sense
- Max Platform Size:**
500 × 400 mm
- Warranty:**
Two-year limited
- Approvals:**
NTEP 09-015
FM

RICE LAKE
LOAD CELLS



Picture is a representation of actual product.

Approvals

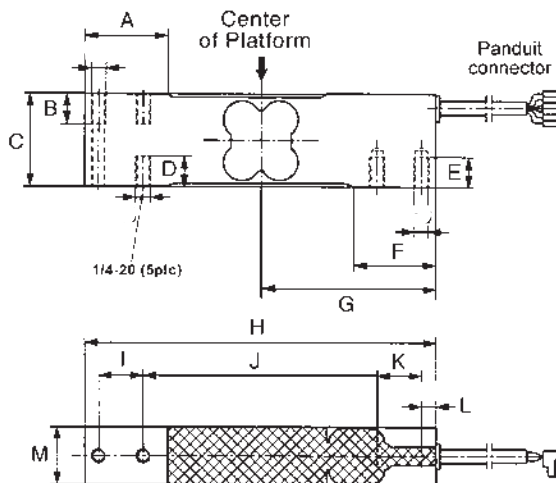


Order Information

Load Rating	Part #	Est. Weight	Price
10 kg	119904	1 lb	\$495.00
15 kg	119912	1 lb	\$495.00
20 kg	119905	1 lb	\$495.00
50 kg	119908	1 lb	\$495.00
75 kg	119909	1 lb	\$495.00
100 kg	119910	1 lb	\$495.00

Dimensions

Rated Capacity	A	B	C	D	E	F	G	H	I	J	K	L	M	T
kg/mm														
10 to 100	35.0	13.0	40.0	13.0	13.0	35.0	75.0	150.0	19.0	100.0	19.0	6.2	25.0	1/4-20 UNC



Interchangeable Products

- HBK®
PW15..... page 229
- VPG® TEDEA-HUNTLEIGH®
1142..... page 318

Specifications

- Full Scale Output:**
2.0 mV/V
- Bridge Resistance:**
350 ohm, nominal
- Material/Finish:**
Stainless steel
- Temperature:**
Compensated:
14 °F to 104 °F (-10 °C to 40 °C)
Operating:
0 °F to 150 °F (-18 °C to 65 °C)
- Seal Type:**
Environmentally sealed, IP67
- Safe Overload:**
150% full scale
- Rated Excitation:**
5 to 10 VDC (15 V maximum)
- Combined Error:**
0.02% full scale
- Insulation Resistance:**
1,000 megohm
- Cable Length:**
10 ft
- Cable Diameter:**
0.190 in PVC jacket
- Cable Color Code:**
Blue +Excitation
Black -Excitation
White +Signal
Red -Signal
Green +Sense
Grey -Sense
- Max Platform Size:**
15 × 15 in
- Warranty:**
Two-year limited
- Approvals:**
NTEP 11-038
FM

**RICE LAKE
LOAD CELLS**

SINGLE POINT
RLPCBC-60

Stainless Steel, Hermetically Sealed, NTEP Certified 1:5,000 Class III Single Cell, IP69K



Picture is a representation of actual product.

Approvals

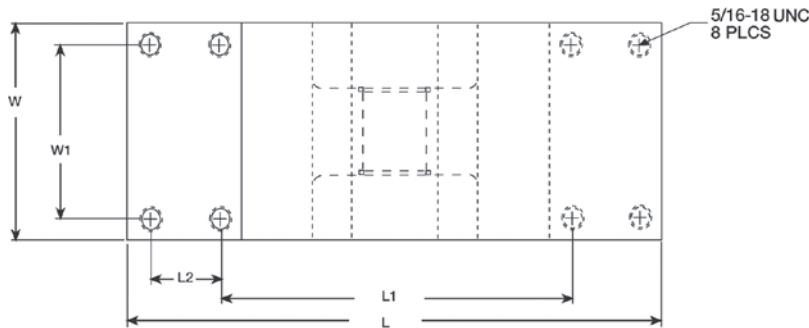
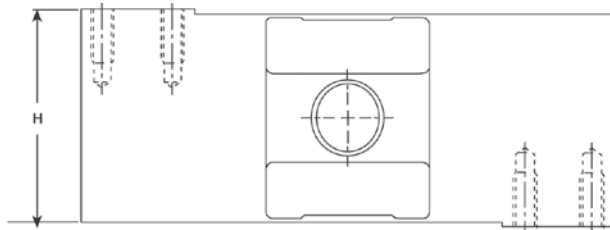


Order Information

Load Rating	Part #	Est. Weight	Price
10 ft Cables			
50 kg	87022	12 lb	\$980.00
100 kg	87023	12 lb	\$980.00
250 kg	87024	13 lb	\$980.00
500 kg	87025	13 lb	\$980.00
1,000 kg	87026	15 lb	\$980.00
20 ft Cables			
1,000 kg	227092	15 lb	\$1,025.00

Dimensions

Rated Capacity	L	L1	L2	W	W1	H
kg/mm						
50 to 1,000	190.5	107.0	35.0	73.7	50.0	73.7



Specifications

- Full Scale Output:**
2 mV/V
- Output Resistance:**
960 (± 50) ohm
- Input Resistance:**
1,100 (± 50) ohm
- Material/Finish:**
Stainless steel
- Temperature:**
Compensated:
14 °F to 104 °F (-10 °C to 40 °C)
Operating:
0 °F to 150 °F (-18 °C to 65 °C)
- Seal Type:**
Hermetically sealed, IP69K
- Safe Overload:**
200% full scale
- Safe Sideload:**
100% full scale
- Rated Excitation:**
5 to 10 VDC
- Combined Error:**
0.020% full scale
- Insulation Resistance:**
5,000 megohm
- Cable Length:**
10 ft
PN 227092: 20 ft
- Cable Diameter:**
0.196 in
Polyurethane jacket
- Cable Color Code:**
Green +Excitation
Black -Excitation
White +Signal
Red -Signal
Blue +Sense
Brown -Sense
Yellow Shield (shield connected to element)
- Max Platform Size:**
24 × 24 in
- Warranty:**
Two-year limited
- Approvals:**
NTEP 07-094
FM

RICE LAKE
LOAD CELLS



Picture is a representation of actual product.

Approvals

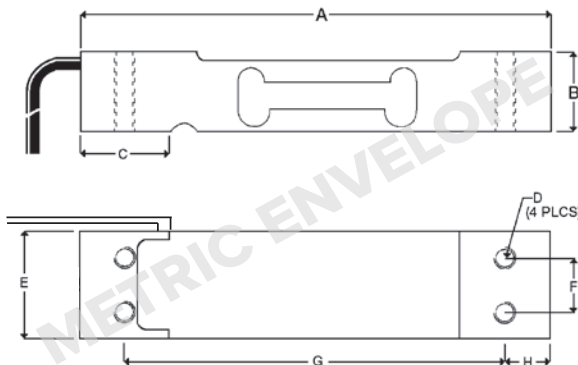


Order Information:

Load Rating	Part #	Est. Weight	Price
1.50 ft Cables			
3 kg	50620	1 lb	\$148.00
5 kg	50619	1 lb	\$148.00
7 kg	50621	1 lb	\$148.00
10 kg	50622	1 lb	\$148.00
15 kg	50623	1 lb	\$148.00
20 kg	50624	1 lb	\$148.00
30 kg	50625	1 lb	\$148.00
35 kg	50626	1 lb	\$148.00
10 ft Cables			
3 kg	132261	3 lb	\$148.00
5 kg	132262	3 lb	\$148.00
7 kg	132263	3 lb	\$148.00
10 kg	132264	3 lb	\$148.00
15 kg	132265	3 lb	\$148.00
20 kg	132266	3 lb	\$148.00
30 kg	132267	3 lb	\$148.00
35 kg	132268	3 lb	\$148.00

Dimension

Rated Capacity	A	B	C	D	E	F	G	H
kg/mm								
3 to 7	130.0	22.0	25.0	M6 × 1.0	25.4	15.0	106.0	12.0
10 to 30	130.0	22.0	25.0	M6 × 1.0	30.0	15.0	106.0	12.0
35	130.0	22.0	25.0	M6 × 1.0	40.0	15.0	106.0	12.0



Interchangeable Products

- VPG® CELTRON®
- LPS except 3 kg page 197
- VPG® TEDEA-HUNTLEIGH®
- 1022 page 310
- VPG® BLH®
- C2G1
- FAIRBANKS®
- 4900 Series
- Checkweighers
- NMB®
- C2G1
- ARTECH®
- 61022

Specifications

- Full Scale Output:**
2.0 mV/V
- Output Resistance:**
350 (± 3) ohm
- Input Resistance:**
410 (± 15) ohm
- Material/Finish:**
Aluminum
- Temperature:**
Compensated:
14 °F to 104 °F (-10 °C to 40 °C)
Operating:
0 °F to 150 °F (-18 °C to 65 °C)
- Seal Type:**
Environmentally sealed, IP66
- Safe Overload:**
150% full scale
- Rated Excitation:**
5 to 10 VDC (15 V maximum)
- Combined Error:**
0.03% full scale
- Insulation Resistance:**
2,000 megohm
- Cable Length:**
3 m
0.50 m
- Cable Diameter:**
3.5 mm PVC jacket
- Cable Color Code:**
Green +Excitation
Black –Excitation
Red +Signal
White –Signal
- Max Platform Size:**
13.75 × 13.75 in
- Warranty:**
Two-year limited
- Approvals:**
NTEP 98-166
cFMus

RICE LAKE
LOAD CELLS

SINGLE POINT
RL1010

Aluminum, NTEP Certified 1:5,000 Class III Single Cell, Potted and Unpotted, IP65/IP67



Picture is a representation of actual product.

Approvals

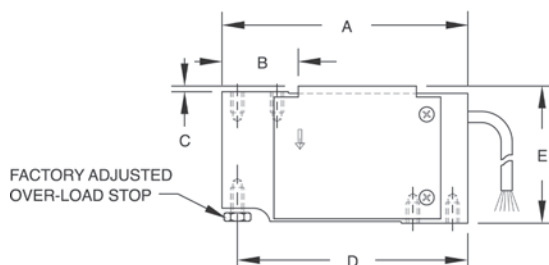
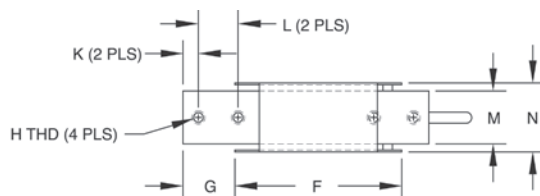


Order Information

Load Rating	Part #	Est. Weight	Price
NTEP Certified, Potted			
10 kg	50819	2 lb	\$205.00
15 kg	50820	2 lb	\$205.00
20 kg	50821	2 lb	\$205.00
30 kg	50822	2 lb	\$205.00
50 kg	50823	2 lb	\$205.00
Non-NTEP Certified, Potted			
7 kg	17529	2 lb	\$205.00
10 kg	17530	2 lb	\$205.00
15 kg	17531	2 lb	\$195.00
20 kg	17532	2 lb	\$205.00
30 kg	17533	2 lb	\$205.00
50 kg	17534	2 lb	\$205.00
90 kg	17535	2 lb	\$205.00
Non-NTEP Certified, Unpotted			
3 kg	17527	1 lb	\$190.00
5 kg	17528	1 lb	\$190.00

Dimensions

Rated Capacity	A	B	C	D	E	F	G	H	K	L	M	N
kg/mm												
3 to 90	118.1	34.0	3.0	110.5	66.0	80.0	25.0	1/4-20 UNC x 13 DP	7.5	19.1	25.4	33.5



Interchangeable Products

VPG® TEDEA-HUNTLEIGH®

1010/1015.....page 311

Specifications

Full Scale Output:

2.0 mV/V

Output Resistance:

350 (± 3) ohm, nominal

Input Resistance:

415 (± 15) ohm

Material/Finish:

Anodized aluminum

Temperature:

Compensated:

14 °F to 104 °F (-10 °C to 40 °C)

Operating:

0 °F to 150 °F (-18 °C to 65 °C)

Seal Type:

Potted: IP67

Unpotted: IP65

Safe Overload:

150% at center of loading point, full scale

Rated Excitation:

5 to 10 VDC (15 V maximum)

Combined Error:

0.02% full scale

Insulation Resistance:

5,000 megohm

Deflection at Capacity:

0.015 in

Cable Length:

Potted: 10 ft

Unpotted: 3 ft

Cable Diameter:

0.200 in PVC jacket

Cable Color Code:

Green +Excitation

Black -Excitation

Red +Signal

White -Signal

Blue +Sense

Brown -Sense

Max Platform Size:

15.75 x 15.75 in

Warranty:

Two-year limited

Approvals:

NTEP 00-062

cFMus

RICE LAKE
LOAD CELLS



Picture is a representation of actual product.

Approvals

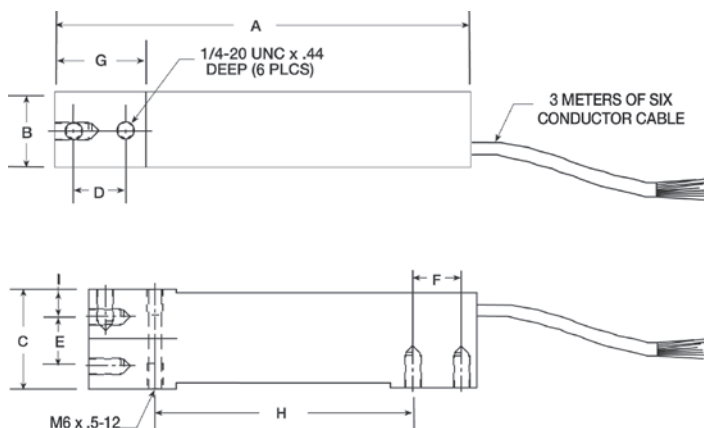


Order Information

Load Rating	Part #	Est. Weight	Price
NTEP Certified			
7 kg	91725	2 lb	\$235.00
10 kg	91726	2 lb	\$235.00
15 kg	91727	2 lb	\$235.00
20 kg	91728	2 lb	\$235.00
30 kg	91729	2 lb	\$235.00
50 kg	91730	2 lb	\$235.00
75 kg	91731	2 lb	\$235.00
100 kg	91732	2 lb	\$235.00

Dimensions

Rated Capacity	A	B	C	D	E	F	G	H	I
kg/mm									
5 to 100	150.3	25.4	39.9	19.1	19.1	19.1	33.8	99.6	11.4



Interchangeable Products

HBK®
SP4M..... page 228

Specifications

Full Scale Output:

2.0 mV/V

Output Resistance:

350 (± 3) ohm

Input Resistance:

350 ohm

Material/Finish:

Anodized aluminum

Temperature:

Compensated:

14 °F to 104 °F (-10 °C to 40 °C)

Operating:

0 °F to 150 °F (-18 °C to 65 °C)

Seal Type:

Environmentally sealed, IP66

Safe Overload:

150% full scale

Rated Excitation:

5 to 10 VDC (15 V maximum)

Combined Error:

0.02% full scale

Insulation Resistance:

5,000 megohm

Deflection at Capacity:

0.4 mm

Cable Length:

10 ft

Cable Diameter:

0.19 in PVC jacket

Cable Color Code:

Green +Excitation

Black -Excitation

Red +Signal

White -Signal

Blue +Sense

Brown -Sense

Yellow Shield

Max Platform Size:

5 to 10 kg: 12 × 12 in

15 to 30 kg: 18 × 18 in

50 to 100 kg: 24 × 24 in

Warranty:

Two-year limited

Approvals:

NTEP 05-114

FM

**RICE LAKE
LOAD CELLS**

SINGLE POINT
RLPWM16

Aluminum, Environmentally Sealed, NTEP Certified 1:5,000 Class III Single Cell, IP67

Limited Stock Available



Picture is a representation of actual product.

Approvals

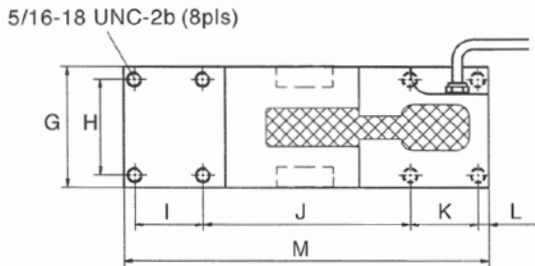
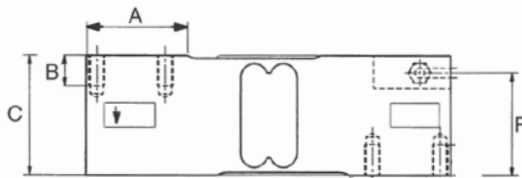


Order Information

Load Rating	Part #	Est. Weight	Price
75 kg	91686	5 lb	\$313.00

Dimensions

Rated Capacity	A	B	C	F	G	H	I	J	K	L	M
kg/mm											
75	52.0	16.0	62.3	52.3	63.0	50.0	35.0	107.0	35.0	5.5	188.0



Interchangeable Products

RICE LAKE WEIGHING SYSTEMS

RL1260

VPG® TEDEA-HUNTLEIGH®

1260 page 319

Specifications

Full Scale Output:

2.0 mV/V

Output Resistance:

300 to 500 ohm

Input Resistance:

300 to 500 ohm

Material/Finish:

Aluminum

Temperature:

Compensated:

14 °F to 104 °F (-10 °C to 40 °C)

Operating:

0 °F to 150 °F (-18 °C to 65 °C)

Seal Type:

Environmentally sealed, IP67

Safe Overload:

150% full scale

Rated Excitation:

5 to 10 VDC (15 V maximum)

Combined Error:

0.02% full scale

Insulation Resistance:

1,000 megohm

Cable Length:

10 ft

Cable Diameter:

0.190 in PVC jacket

Deflection at Capacity

50 to 635 kg < 0.6 mm

Cable Color Code:

Green +Excitation

Black -Excitation

Red +Signal

White -Signal

Blue +Sense

Brown -Sense

Max Platform Size:

24 × 24 in

Warranty:

Two-year limited

Approvals:

NTEP 05-112

FM

RICE LAKE
LOAD CELLS



Picture is a representation of actual product.

Approvals

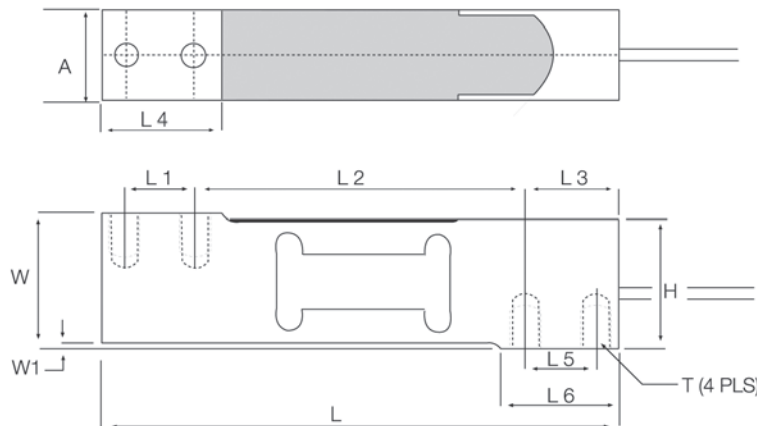


Order Information

Load Rating	Part #	Est. Weight	Price
1 kg	40955	1 lb	\$190.00

Dimensions

Rated Capacity	A	H	L	L1	L2	L3	L4	L5	L6	W	W1	T
kg/mm												
1	20.0	39.0	150.0	19.0	100.0	25.0	34.0	19.0	34.0	40.0	1.0	1/4-20 UNC



Interchangeable Products

- RICE LAKE WEIGHING SYSTEMS
- RLSP4**.....page 161
- VPG® TEDEA-HUNTLEIGH®
- 1042**.....page 313
- HBK®
- SP4M**.....page 228
- FLINTEC®
- PC 42**

Specifications

- Full Scale Output:**
2.0 mV/V
- Output Resistance:**
350 (± 3) ohm
- Input Resistance:**
415 (± 15) ohm
- Material/Finish:**
Aluminum
- Temperature:**
Compensated:
14 °F to 104 °F (-10 °C to 40 °C)
Operating:
0 °F to 150 °F (-18 °C to 65 °C)
- Seal Type:**
Environmentally sealed, IP66
- Safe Overload:**
150% full scale
Over-center loading point
- Rated Excitation:**
5 to 10 VDC (15 V maximum)
- Combined Error:**
0.02% full scale
- Insulation Resistance:**
2,000 megohm
- Deflection at Capacity:**
0.015 in
- Cable Length:**
10 ft
- Cable Diameter:**
0.200 in PVC jacket
- Cable Color Code:**
Green +Excitation
Black -Excitation
Red +Signal
White -Signal
Blue +Sense
Brown -Sense
- Max Platform Size:**
16 × 16 in
- Warranty:**
Two-year limited
- Approvals:**
NTEP 97-138
FM

**RICE LAKE
LOAD CELLS**

SINGLE POINT
RL1040

Aluminum, NTEP Certified 1:5,000 Class III Single Cell, Potted and Unpotted, IP65/IP67



Picture is a representation of actual product.

Approvals

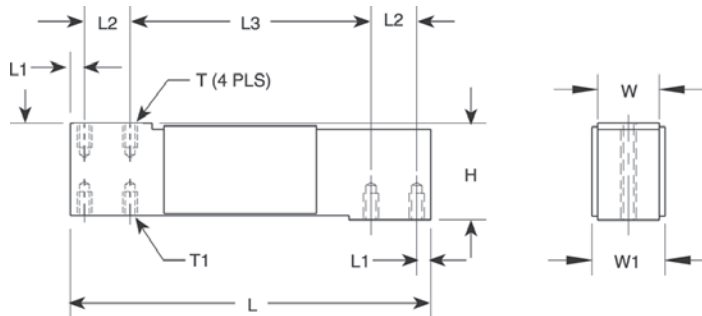


Order Information

Load Rating	Part #	Est. Weight	Price
Potted IP67			
7 kg	32860	2 lb	\$206.00
10 kg	32861	2 lb	\$206.00
15 kg	32862	2 lb	\$206.00
20 kg	32863	2 lb	\$206.00
30 kg	32864	2 lb	\$206.00
50 kg	32865	2 lb	\$206.00
100 kg	32866	2 lb	\$206.00
Unpotted IP65			
5 kg	32859	2 lb	\$206.00

Dimensions

Rated Capacity	H	L	L1	L2	L3	T	T1	W	W1
kg/mm									
5 to 100	40.0	150.0	5.95	19.1	100.0	1/4-20 UNC × 10 DP	1/4-28 UNF × 10 DP	25.4	29.4



Interchangeable Products

VPG® TEDEA-HUNTLEIGH®

1040 page 314

CARDINAL®

TSP

Specifications

Full Scale Output:

2.0 mV/V

Output Resistance:

350 (± 3) ohm

Input Resistance:

415 (± 5) ohm

Material/Finish:

Anodized aluminum

Temperature:

Compensated:
14 °F to 104 °F (-10 °C to 40 °C)

Operating:

0 °F to 150 °F (-18 °C to 65 °C)

Seal Type:

Potted, IP67

Unpotted, IP65

Safe Overload:

200% at center loading point, full scale

Rated Excitation:

5 to 10 VDC (15 V maximum)

Combined Error:

0.02% full scale

Insulation Resistance:

2,000 megohm

Deflection at Capacity:

0.4 mm

Cable Length:

10 ft

Cable Diameter:

0.200 in PVC jacket

Cable Color Code:

Green +Excitation
Black -Excitation
Red +Signal
White -Signal
Blue +Sense
Brown -Sense

Max Platform Size:

15.75 × 15.75 in

Warranty:

Two-year limited

Approvals:

NTEP 95-074

cFMus

RICE LAKE
LOAD CELLS



Picture is a representation of actual product.

Approvals

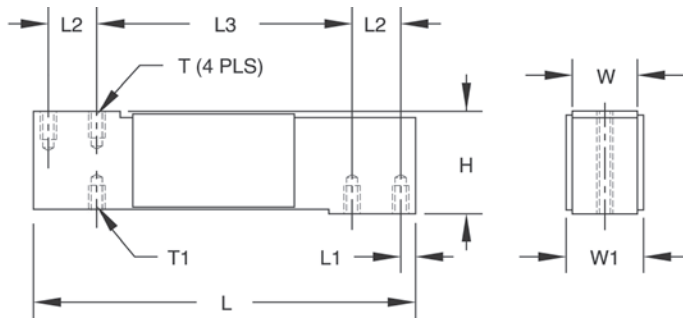


Order Information

Load Rating	Part #	Est. Weight	Price
15 kg	17544	3 lb	\$339.00
30 kg	17545	3 lb	\$339.00
50 kg	17546	3 lb	\$339.00
75 kg	17547	3 lb	\$339.00
100 kg	17548	3 lb	\$339.00
150 kg	36467	3 lb	\$339.00

Dimensions

Rated Capacity	H	L	L1	L2	L3	T	T1	W	W1
kg/mm									
15 to 150	40.0	150.0	6.0	19.1	100.0	1/4-20 UNC × 10 DP	1/4-28 UNF × 10 DP	25.4	29.4



Interchangeable Products

VPG® TEDEA-HUNTLEIGH®
1140.....page 316

Specifications

- Full Scale Output:**
2.0 mV/V
- Output Resistance:**
350 (± 5) ohm, nominal
- Input Resistance:**
383 (± 15) ohm
- Material/Finish:**
Stainless steel
- Temperature:**
Operating:
14 ° F to 104 ° F (-10 ° C to 40 ° C)
Compensated:
14 ° F to 104 ° F (-10 ° C to 40 ° C)
- Seal Type:**
Environmentally sealed, IP65
- Safe Overload:**
200% at center loading point, full scale
- Rated Excitation:**
5 to 10 VDC (15 V maximum)
- Combined Error:**
0.02% full scale
- Insulation Resistance:**
2,000 megohm
- Deflection at Capacity:**
0.4 mm
- Cable Length:**
10 ft
- Cable Diameter:**
0.200 in PVC jacket
- Cable Color Code:**
Green +Excitation
Black -Excitation
Red +Signal
White -Signal
Blue +Sense
Brown -Sense
- Max Platform Size:**
15.75 × 15.75 in
- Warranty:**
Two-year limited
- Approvals:**
cFmus

**RICE LAKE
LOAD CELLS**

SINGLE POINT
RL1380

Stainless Steel, Environmentally Sealed, NTEP Certified 1:3,000 Class III Single Cell, IP67



Picture is a representation of actual product.

Approvals

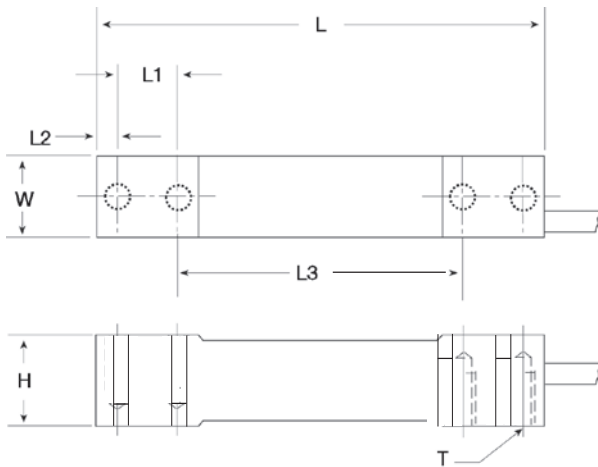


Order Information

Load Rating	Part #	Est. Weight	Price
7 kg	30783	2 lb	\$350.00
10 kg	30782	2 lb	\$350.00
15 kg	30781	2 lb	\$350.00
30 kg	30780	2 lb	\$350.00
60 kg	30779	2 lb	\$350.00

Dimensions

Rated Capacity	H	L	L1	L2	L3	T	W
kg/mm							
7 to 15	30.2	139.7	19.1	6.4	88.9	1/4-20 UNC	19.0
30 to 60	30.2	139.7	19.1	6.4	88.9	1/4-20 UNC	23.6



RICE LAKE
LOAD CELLS

Interchangeable Products

HBK®
PWS.....page 231

Specifications

- Full Scale Output:**
2.0 mV/V
- Output Resistance:**
359 (± 10) ohm
- Input Resistance:**
390 (± 15) ohm
- Material/Finish:**
Stainless steel
- Temperature:**
Compensated:
14 °F to 104 °F (-10 °C to 40 °C)
Operating:
0 °F to 150 °F (-18 °C to 65 °C)
- Seal Type:**
Environmentally sealed, IP67
- Safe Overload:**
150% full scale
- Rated Excitation:**
5 to 10 VDC (15 V maximum)
- Combined Error:**
0.03% full scale
- Insulation Resistance:**
5,000 megohm
- Deflection at Capacity:**
<0.4 mm full scale
- Cable Length:**
10 ft
- Cable Diameter:**
0.190 in
Polyurethane jacket
- Cable Color Code:**
Green +Excitation
Black -Excitation
White +Signal
Red -Signal
Yellow Shield
- Max Platform Size:**
15.75 × 15.75 in
- Warranty:**
Two-year limited
- Approvals:**
NTEP 94-128
FM



Picture is a representation of actual product.

Approvals

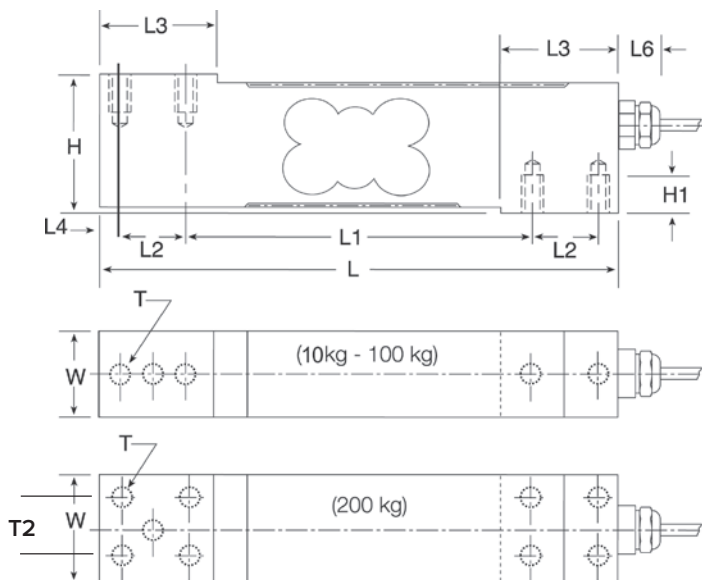


Order Information

Load Rating	Part #	Est. Weight	Price
NTEP Certified			
10 kg	41405	3 lb	\$328.00
15 kg	41233	3 lb	\$328.00
30 kg	41234	3 lb	\$328.00
50 kg	41235	3 lb	\$328.00
75 kg	41236	3 lb	\$328.00
Non-NTEP Certified			
100 kg	41237	3 lb	\$310.00
200 kg	41406	4 lb	\$477.00

Dimensions

Rated Capacity	H	H1	L	L1	L2	L3	L4	L6	W	T	T2
kg/mm											
10 to 100	40.0	10.0	150.0	100.0	19.0	32.0	6.0	20.0	25.4	1/4-20 UNC x 19.1 DP	N/A
200	40.0	10.0	150.0	100.0	19.0	32.0	6.0	20.0	38.1	1/4-20 UNC x 19.1 DP	25.4



Interchangeable Products

FLINTEC®
PC1.....page 215

Specifications

- Full Scale Output:**
2.0 mV/V
- Output Resistance:**
330 (± 25) ohm
- Input Resistance:**
390 (± 20) ohm
- Material/Finish:**
Stainless steel
- Temperature:**
Operating:
0 °F to 150 °F (-18 °C to 65 °C)
- Seal Type:**
Environmentally sealed, IP67
- Safe Overload:**
200% full scale
- Rated Excitation:**
5 VDC (15 V maximum)
- Combined Error:**
0.02% full scale
- Insulation Resistance:**
5,000 megohm
- Cable Length:**
10 ft
- Cable Diameter:**
0.196 in
Polyurethane jacket
- Cable Color Code:**
Green +Excitation
Black -Excitation
White +Signal
Red -Signal
Yellow Shield
- Max Platform Size:**
18 × 18 in
- Warranty:**
Two-year limited
- Approvals:**
NTEP 00-125
FM

**RICE LAKE
LOAD CELLS**

SINGLE POINT
RL260FD

Fluid Damped, Stainless Steel, Environmentally Sealed, NTEP Certified Single Cell 1:3,000, IP68



Protective Cover

Picture is a representation of actual product.

Approvals

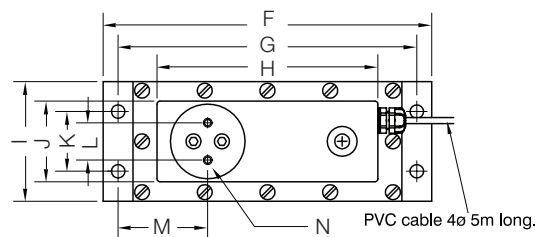
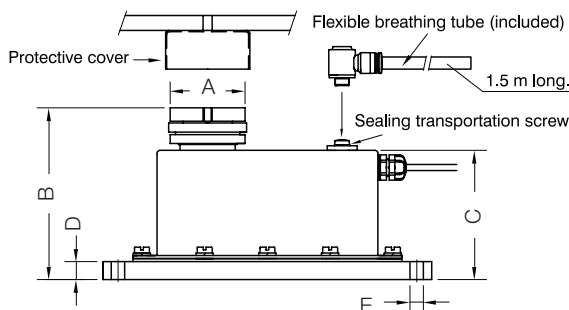


Order Information

Load Rating	Part #	Est. Weight	Price
2 kg	194928	8 lb	\$710.00
3 kg	199001	8 lb	\$710.00
5 kg	194929	8 lb	\$710.00
7 kg	194930	8 lb	\$710.00
10 kg	194932	8 lb	\$710.00
15 kg	194933	8 lb	\$710.00
20 kg	194934	8 lb	\$710.00
30 kg	194935	8 lb	\$710.00
50 kg	194936	16 lb	\$710.00

Dimensions

Rated Capacity	A	B	C	D	E	F	G	H	I	J	K	L	M	N
kg/mm														
2 to 50	50 dia	115.0	86.5	12.0	9.0	220.0	200.0	148.0	80.0	54.0	40.0	25.0	60.0	1/4-20 UNC



Interchangeable Products

VPG® TEDEA-HUNTLEIGH®

240* page 325

*5000d NTEP, 10ft cable

Specifications

Full Scale Output:

2.0 mV/V

Output Resistance:

350 (± 3) ohm

Input Resistance:

400 (± 20) ohm

Material/Finish:

Stainless steel

Temperature:

Compensated:

14 °F to 104 °F (-10 °C to 40 °C)

Operating:

0 °F to 150 °F (-18 °C to 65 °C)

Seal Type:

Environmentally sealed, IP68

Safe Overload:

200% of full scale

Rated Excitation:

5 to 10 VDC

Combined Error:

0.017% full scale

Insulation Resistance:

> 5,000 megohm

Cable Length:

5 m

Cable Color Code:

Green +Excitation

Black -Excitation

Red +Signal

White -Signal

Blue +Sense

Yellow -Sense

Warranty:

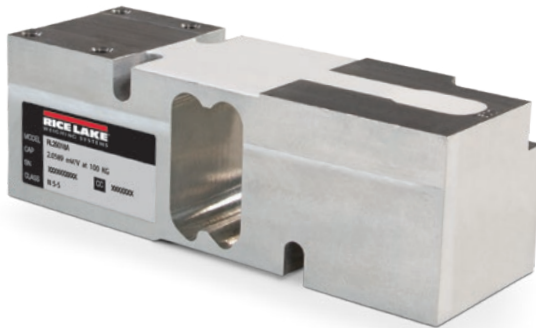
Two-year limited

Approvals:

NTEP 20-045

cFMus

RICE LAKE
LOAD CELLS



Picture is a representation of actual product.

Approvals

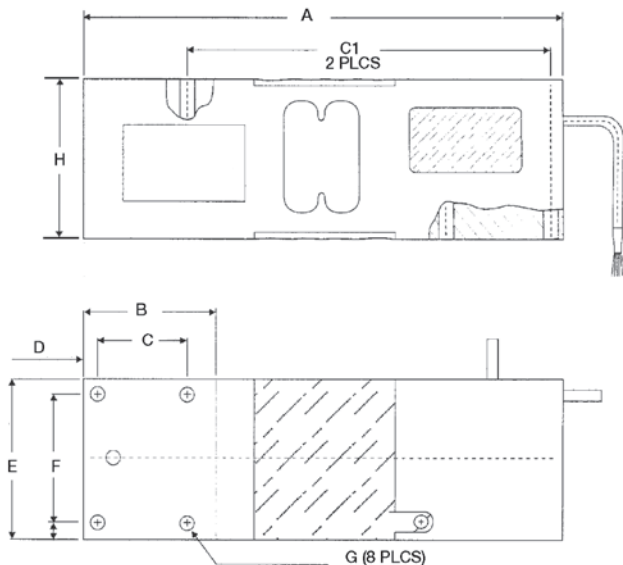


Order Information

Load Rating	Part #	Est. Weight	Price
50 kg	188682	5 lb	\$290.00
75 kg	188683	5 lb	\$290.00
100 kg	188684	5 lb	\$290.00
150 kg	188685	5 lb	\$290.00
200 kg	188686	5 lb	\$290.00
250 kg	188687	5 lb	\$290.00
300 kg	188688	5 lb	\$290.00
500 kg	188689	5 lb	\$290.00
635 kg	188690	5 lb	\$290.00

Dimensions

Rated Capacity	A	B	C	C1	D	E	F	G	H
kg/mm									
50 to 635	188.0	52.0	35.0	142.0	5.5	63.5	50.0	5/16-18 UNC	62.3



Interchangeable Products

- RICE LAKE WEIGHING SYSTEMS
RLPWM16.....page 162
- RICE LAKE WEIGHING SYSTEMS
RL1260
VPG® TEDEA-HUNTLEIGH®
1260page 319

Specifications

- Full Scale Output:**
2.0 mV/V nominal
- Output Resistance:**
350 (± 3) ohm
- Input Resistance:**
415 (± 15) ohm
- Material/Finish:**
Anodized aluminum
- Temperature:**
Compensated:
14 °F to 104 °F (-10 °C to 40 °C)
Operating:
0 °F to 150 °F (-18 °C to 65 °C)
- Seal Type:**
Environmentally sealed, IP67
- Safe Overload:**
150% of full scale
- Rated Excitation:**
5 to 10 VDC (15 V maximum)
- Combined Error:**
0.02% full scale
- Insulation Resistance:**
> 5,000 megohm
- Deflection at Capacity:**
0.3 to 0.5 mm
- Cable Length:**
10 ft
- Cable Color Code:**
Green +Excitation
Black -Excitation
Red +Signal
White -Signal
Blue +Sense
Yellow -Sense
- Warranty:**
Two-year limited
- Approvals:**
NTEP 18-108
cFMus

**RICE LAKE
LOAD CELLS**

SINGLE POINT
RL1218A

Aluminum, Environmentally Sealed, NTEP Certified 1:5,000 Class III Single Cell, IP67



Picture is a representation of actual product.

Approvals

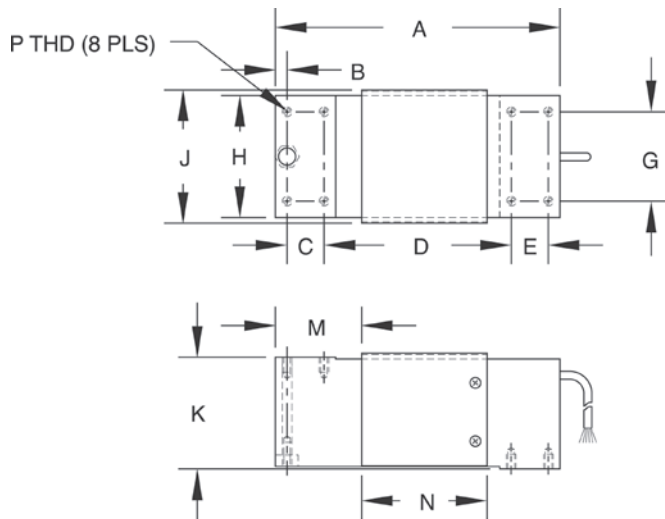


Order Information

Load Rating	Part #	Est. Weight	Price
50 kg	191096	5 lb	\$328.00
75 kg	191097	5 lb	\$328.00
100 kg	191098	5 lb	\$328.00
150 kg	191099	5 lb	\$328.00
200 kg	191100	5 lb	\$328.00
250 kg	191101	5 lb	\$328.00
300 kg	191102	5 lb	\$328.00
500 kg	191103	5 lb	\$328.00
635 kg	191104	5 lb	\$328.00
1,000 kg	191105	5 lb	\$328.00

Dimensions

Rated Capacity	A	B	C	D	E	G	H	J	K	M	N	P
kg/mm												
50 to 1,000	191.0	8.0	25.0	125.0	25.0	60.0	75.0	82.0	75.0	57.5	85.0	5/16-18 UNC x 15 DP



Interchangeable Products

RICE LAKE WEIGHING SYSTEMS

RLPWM12

VPG® TEDEA-HUNTLEIGH®

1250 page 322

Specifications

Full Scale Output:

2.0 mV/V nominal

Output Resistance:

350 (± 3) ohm

Input Resistance:

415 (± 15) ohm

Material/Finish:

Anodized aluminum

Temperature:

Compensated:

14 °F to 104 °F (-10 °C to 40 °C)

Operating:

0 °F to 150 °F (-18 °C to 65 °C)

Seal Type:

Environmentally sealed, IP67

Safe Overload:

150% full scale

Rated Excitation:

5-10 VDC (15 V maximum)

Combined Error:

0.02% full scale

Insulation Resistance:

> 5,000 megohm

Deflection at Capacity:

0.4 mm

Cable Length:

10 ft

Cable Color Code:

Green +Excitation

Black -Excitation

Red +Signal

White -Signal

Blue +Sense

Yellow -Sense

Max Platform Size:

50 to 500 kg: 800 × 800 mm

635 to 1,000 kg: 600 × 600 mm

Warranty:

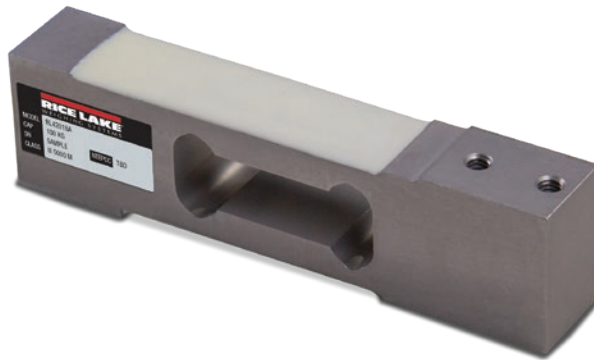
Two-year limited

Approvals:

NTEP 18-133

cFMus

RICE LAKE
LOAD CELLS



Picture is a representation of actual product.

Approvals

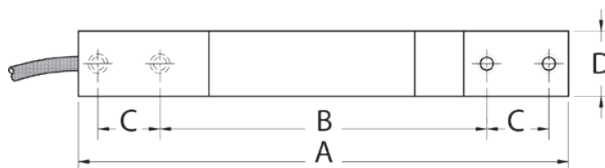
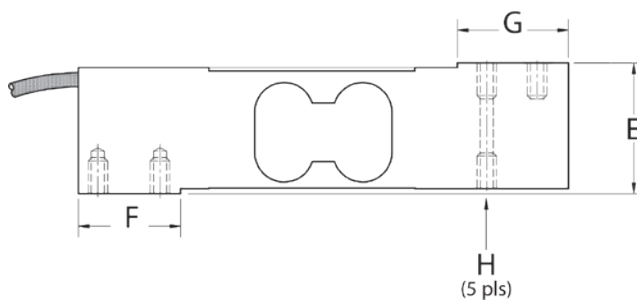


Order Information

Load Rating	Part #	Est. Weight	Price
3 kg	188672	2 lb	\$190.00
5kg	188673	2 lb	\$190.00
7 kg	188674	2 lb	\$190.00
10 kg	188675	2 lb	\$190.00
15 kg	188676	2 lb	\$190.00
20 kg	188677	2 lb	\$190.00
30 kg	188678	2 lb	\$190.00
50 kg	188679	2 lb	\$190.00
75 kg	188680	2 lb	\$190.00
100 kg	188681	2 lb	\$190.00

Dimensions

Rated Capacity	A	B	C	D	E	F	G	H
kg/mm								
3 to 30	150.0	100.0	19.0	20.0	40.0	31.2	34.0	1/4-20 UNC
50 to 100	150.0	100.0	19.0	25.4	40.0	31.2	34.0	1/4-20 UNC



Interchangeable Products

- RICE LAKE WEIGHING SYSTEMS
RL1042.....page 163
- RICE LAKE WEIGHING SYSTEMS
RLSP4.....page 161
- VPG® TEDEA-HUNTLEIGH®
1042.....page 313
- HBK®
SP4M*.....page 228

*Color code is different

Specifications

- Full Scale Output:**
2.0 mV/V ± 10%
- Output Resistance:**
350 (± 3) ohm
- Input Resistance:**
400 (± 20) ohm
- Material/Finish:**
Aluminum
- Temperature:**
Compensated:
14 °F to 104 °F (-10 °C to 40 °C)
Operating:
0 °F to 150 °F (-18 °C to 65 °C)
- Seal Type:**
Environmentally sealed, IP66
- Safe Overload:**
150% of full scale at center loading point
- Rated Excitation:**
10 VDC
- Combined Error:**
0.02% full scale
- Insulation Resistance:**
> 5,000 megohm
- Deflection at Capacity:**
0.3 to 0.5 mm
- Cable Length:**
10 ft
- Cable Color Code:**
Green +Excitation
Black -Excitation
Red +Signal
White -Signal
Blue +Sense
Yellow -Sense
- Max Platform Size:**
15.75 × 15.75 in max
- Warranty:**
Two-year limited
- Approvals:**
NTEP 18-105
cFMus

**RICE LAKE
LOAD CELLS**



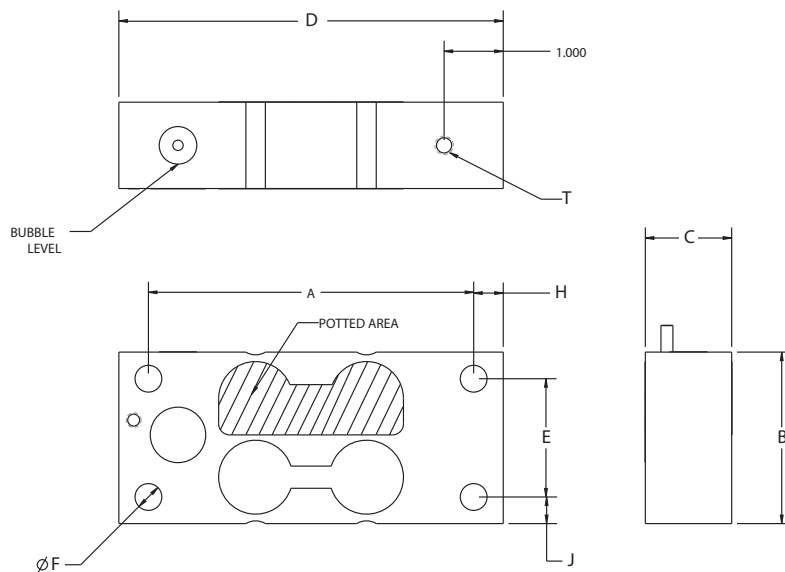
Picture is a representation of actual product.

Order Information

Load Rating	Part #	Est. Weight	Price
50 lb	125612	3 lb	\$650.00

Dimensions

Rated Capacity	A	B	C	D	E	F	H	J	T
50	5.50	2.90	0.74	6.50	2.00	0.50	0.50	0.45	5/16-18 UNC x 0.50



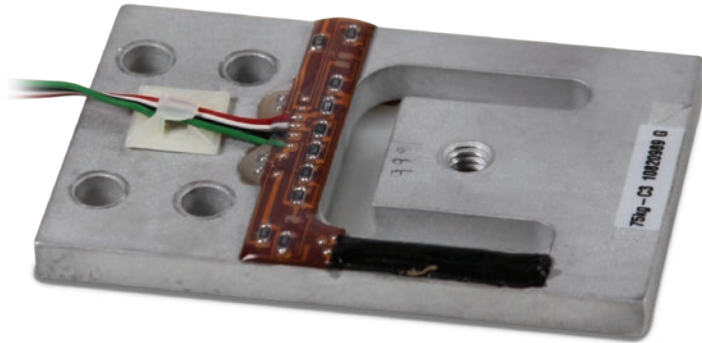
Interchangeable Products

EVERY WEIGH-TRONIX®
FLS

Specifications

- Full Scale Output:**
1.0 (± 10%) mV/V
- Output Resistance:**
350 (± 3) ohm
- Input Resistance:**
385 (± 10) ohm
- Material/Finish:**
Stainless steel
- Temperature:**
Operating:
0 °F to 150 °F (-18 °C to 65 °C)
- Seal Type:**
Environmentally sealed, IP67
- Safe Overload:**
150% full scale
- Rated Excitation:**
5 to 15 VDC
- Nonlinearity:**
0.02% full scale
- Hysteresis:**
0.02% full scale
- Insulation Resistance:**
5,000 megohm
- Cable Length:**
10 ft
- Cable Color Code:**
Green +Excitation
Black -Excitation
Red +Signal
White -Signal
- Warranty:**
Two-year limited

RICE LAKE
LOAD CELLS



Picture is a representation of actual product.

Interchangeable Products

FLINTEC®

PB..... page 222

Specifications

Full Scale Output:

1.0 mV/V

Output Resistance:

1,000 (± 10) ohm

Input Resistance:

1,180 (± 50) ohm

Material/Finish:

Aluminum

Temperature:

Operating:

0 °F to 150 °F (-18 °C to 65 °C)

Seal Type:

Environmentally sealed, IP65

Safe Overload:

150% full scale

Rated Excitation:

5 to 15 VDC

Combined Error:

0.05% full scale

Insulation Resistance:

5,000 megohm

Cable Length:

15 kg: 1.0 m

37.5 kg, 75 kg, 150 kg: 1.5 m

Cable Color Code:

Green +Excitation

Black -Excitation

White +Signal

Red -Signal

Warranty:

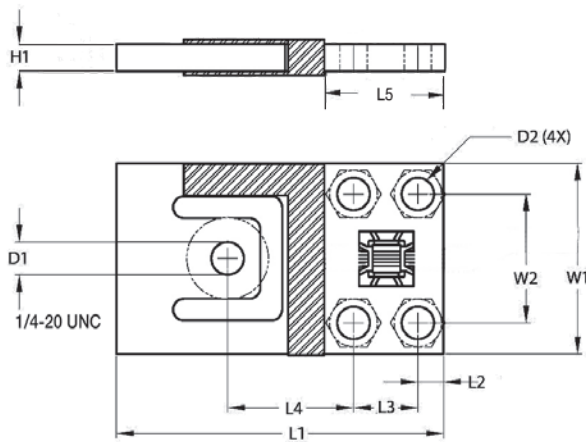
Two-year limited

Order Information

Load Rating	Part #	Est. Weight	Price
15 kg	100272	1 lb	\$87.00
37.5 kg	104645	1 lb	\$92.00
75 kg	100273	1 lb	\$97.00
150 kg	100274	1 lb	\$102.00

Dimensions

Rated Capacity	L1	L2	L3	L4	L5	W1	W2	H1	D1	D2
kg/mm										
15.0	70.0	4.9	14.0	28.0	23.7	39.0	27.8	4.1	7.6	5.1
37.5	76.2	6.0	15.0	29.3	27.0	44.5	30.0	4.8	7.6	6.6
75.0	84.4	6.4	15.0	34.0	27.7	54.8	30.0	6.4	7.6	6.6
150.0	107.3	7.8	22.9	45.9	38.4	69.9	44.5	7.9	9.1	8.1



**RICE LAKE
LOAD CELLS**

TENSION LINK
RL2010

Stainless Steel, Environmentally Sealed, IP67



Picture is a representation of actual product.

Specifications

- Full Scale Output:**
3.0 (± 0.1%) mV/V
- Bridge Resistance:**
350 ohm, nominal
- Material/Finish:**
Stainless steel
- Temperature:**
Operating:
0 °F to 150 °F (-18 °C to 65 °C)
- Seal Type:**
Environmentally sealed, IP67
- Safe Overload:**
150% full scale
- Rated Excitation:**
5 to 10 VDC (15 V maximum)
- Linearity:**
0.05% full scale
- Repeatability:**
0.03% full scale
- Insulation Resistance:**
5,000 megohm
- Cable Length:**
40 ft
- Cable Diameter:**
0.25 in
Polyurethane jacket with connector
- Cable Color Code:**
Green +Excitation
Black -Excitation
White +Signal
Red -Signal
- Warranty:**
Two-year limited

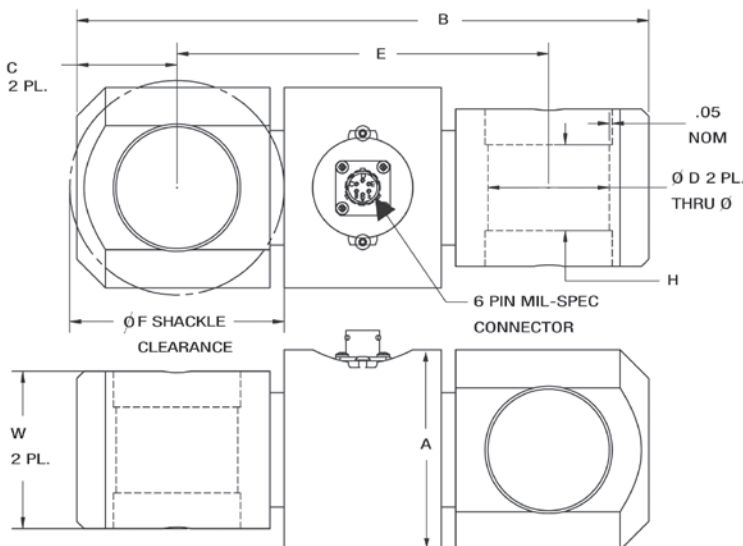
Order Information

Load Rating	Part #	Est. Weight	Price
5,000 lb	117731	5 lb	\$1,430.00
10,000 lb	117732	5 lb	\$1,430.00
25,000 lb	117733	8 lb	\$1,690.00
50,000 lb	117735	34 lb	\$2,915.00
75,000 lb	117736	34 lb	\$2,915.00
100,000 lb	117737	56 lb	\$3,127.00
150,000 lb	117738	56 lb	\$3,127.00
200,000 lb	117739	95 lb	\$5,565.00
250,000 lb	117740	117 lb	\$5,989.00
300,000 lb	117741	191 lb	\$8,427.00
500,000 lb	117742	191 lb	\$8,427.00
Replacement Parts			
40 ft load cell cable	187132		\$175.00

NOTE: Consult factory for shackles

Dimensions

Rated Capacity	A	B	C	ØD	E	ØF	W	H
5,000 to 10,000	2.00	6.50	1.00	1.05	4.50	2.38	1.37	0.75
25,000	2.75	8.00	1.38	1.55	5.25	2.88	2.00	1.00
50,000 to 75,000	3.25	14.00	2.50	2.31	9.00	5.00	3.00	1.75
100,000 to 150,000	4.00	16.00	2.88	2.88	10.25	6.25	4.00	2.00
200,000	6.00	18.00	3.25	3.38	11.50	6.50	4.75	2.38
250,000	6.50	20.00	3.75	3.88	12.50	7.50	5.00	2.75
300,000 to 500,000	7.50	24.00	4.50	4.31	15.00	9.50	5.40	3.00



RICE LAKE
LOAD CELLS



Standard Features

- Customized for individual integrated solutions where it will be permanently installed to monitor loads and overloading protection. Machined from 17-4 stainless steel ensures safety, strength and corrosion resistance.

(Contact MSI for application consultation)

For most overhead weighing applications, traditional scales are an ideal solution. However, applications with limited to no headroom require specialty equipment beyond even reduced-height or low-profile crane scales.

One such solution is an MSI load pin sensor. A load pin sensor is a type of load cell that directly replaces clevis, pivot, normal shaft or equalizer pins. Load pin sensors are designed to be permanently installed, so they can continuously monitor vertical or horizontal tension. An integrated load pin provides load monitoring and overload protection without impacting headroom to promote safety and to prevent costly equipment damage.

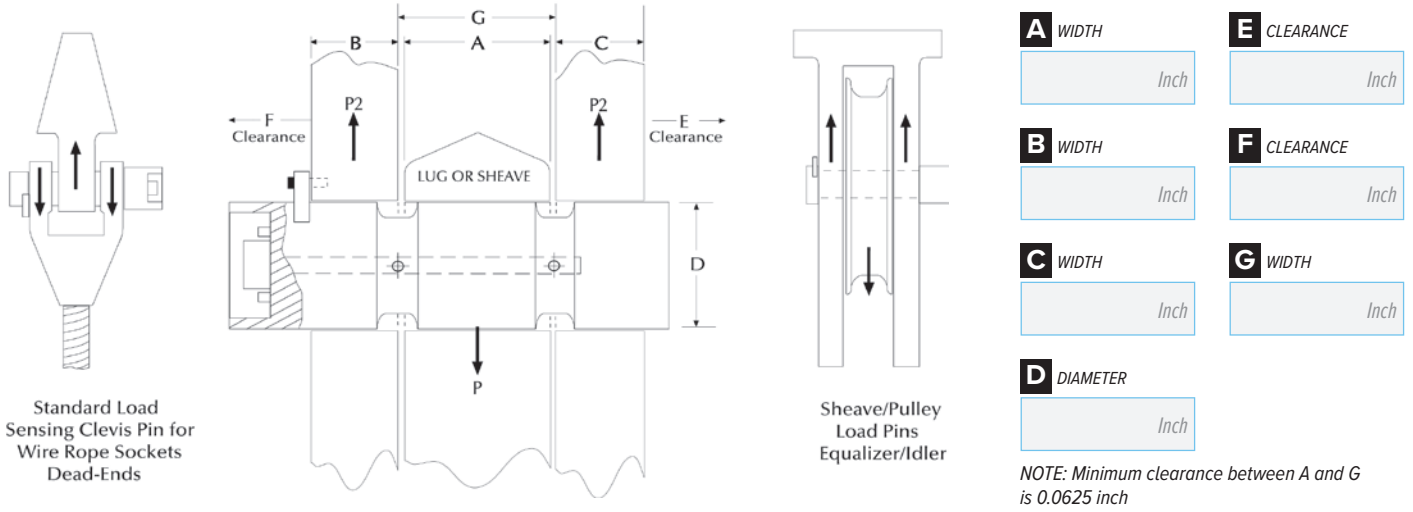
Rice Lake's industry leading engineers design and manufacture custom load pin sensors for any application. Every load pin is constructed from stainless steel for safety, strength (minimum 5:1) and corrosion resistance.

To receive a quote for a load pin sensor, complete the load pin questionnaire on page 176 or online at www.ricelake.com/questionnaires. For further assistance, contact an MSI overhead weighing specialist.

Load Pin Questionnaire

Company: Name:
 Date: Phone: Email:

Load Pin Critical Dimensions



A WIDTH	<input type="text"/> Inch	E CLEARANCE	<input type="text"/> Inch
B WIDTH	<input type="text"/> Inch	F CLEARANCE	<input type="text"/> Inch
C WIDTH	<input type="text"/> Inch	G WIDTH	<input type="text"/> Inch
D DIAMETER	<input type="text"/> Inch		

NOTE: Minimum clearance between A and G is 0.0625 inch

Load Pin Data

Lube port: Yes No No. of exits

Accuracy requirement:

Hoist capacity: tons

Temperature requirement:

Part of wire rope:

Output requirement:

Sensor capacity: tons

Material testing requirements:

Safety factor: 3:1 5:1 7:1 10:1

Load vector orientation/alignment:
 ← → ↑ ↓

Application:

Cable Connections

	<input type="checkbox"/> End-mounted cable:	Sensor's cable length: <input type="text"/> feet
	<input type="checkbox"/> End-mounted connector (standard):	Comments: <div style="border: 1px solid black; height: 150px; width: 100%;"></div>
	<input type="checkbox"/> Side-mounted cable:	
	<input type="checkbox"/> Side-mounted connector:	
	<input type="checkbox"/> Recessed connector:	



Standard Features

- Integrates between a crane block and lifting equipment to provide force measurement for lifted items. This is an ideal solution for crane weighing and features a 7:1 safety factor for compliance with industrial and military safety requirements.

Options

(Contact MSI for application consultation)

- Top lifting eye or shackle with Crosby® (or equivalent) 360° thrust-bearing swivel hook

Specifications

Accuracy:

0.1% sensor accuracy

Rating/Material:

4340 steel

Full Scale Output:

0.8 mV/V

Output Resistance:

2,000 ohm

Input Resistance:

1,500 ohm

Connector Pin Out:

- A: EX +
- B: Sig +
- C: Sig -
- D: EX -

Part Number/Price

Part #	Description	Price
181907	2 K 7200 style load cell only	Consult
181908	5 K 7200 style load cell only	Consult
181909	10 K 7200 style load cell only	Consult
178093	25 K 7200 style load cell only	Consult
178094	50 K 7200 style load cell only	Consult
181910	100 K 7200 style load cell only	Consult

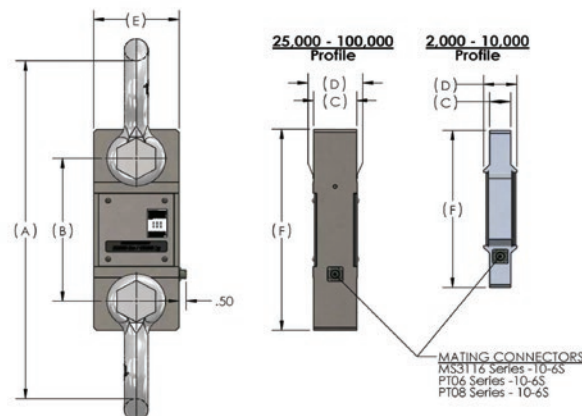
Contact factory for higher capacities

Options/Accessories

Part #	Description	Price
165978	Load cell to MSI-7001 interface cable, 6.5 ft	\$345.00
165979	Load cell to MSI-7001 interface cable, 10 ft	\$365.00
165990	Load cell to MSI-7001 interface cable, 25 ft	\$460.00
134505	Load cell mating cable to bare wires, 10 ft	\$210.00

Dimensions

Capacity (lbs)	P/N	Load Cell Material	(A) Headroom Loss	(B) C-C Length	(C) Lug Thk	(D) Body Thk	(E) Body Width	(F) Body Length	Lug Hole	Crosby Shackle
2,000	181907	Aluminum	13.50 in	8.00 in	0.99 in	2.13 in	4.50 in	9.75 in	0.78 in	3-1/4 T 151357
5,000	181908	Aluminum	13.50 in	8.00 in	0.99 in	2.13 in	4.50 in	9.75 in	0.78 in	3-1/7 T 151357
10,000	181909	Aluminum	16.13 in	8.50 in	1.35 in	2.13 in	5.37 in	10.75 in	1.05 in	6-1/2 T 151355
25,000	178093	Steel	22.39 in	9.26 in	2.24 in	2.24 in	4.80 in	12.76 in	1.67 in	17 T 141992
50,000	178094	Steel	25.74 in	9.76 in	2.74 in	2.81 in	5.43 in	13.76 in	2.05 in	25 T 151356
100,000	181910	Steel	28.49 in	10.74 in	3.09 in	3.09 in	6.86 in	15.74 in	2.30 in	55 T 146336



RICE LAKE
LOAD CELLS

MSI Clamp-On

Load Cell



Standard Features

- A durable solution for measuring wire rope tension and preventing overloads for cranes and hoists. Available in two envelopes for accommodating the most common wire ropes. With the SCT-2000, weight-based setpoints can provide the operator alerts and safety shut-offs based on unsafe load conditions.

Options

(Contact MSI for application consultation)

- Custom sizes available on request
- Pair with an SCT transmitter for basic safety functions

Specifications

Rating/Material:

4340 steel, zinc plated
IP68

Output Resistance:

350 ohm

System Accuracy of Calibrated

Capacity:

3 to 5%

Cable Length:

20 ft integral cable with blunt end termination

Cable Color Code:

Red +Excitation
Black -Excitation
Green +Signal
White -Signal

Part Number/Price

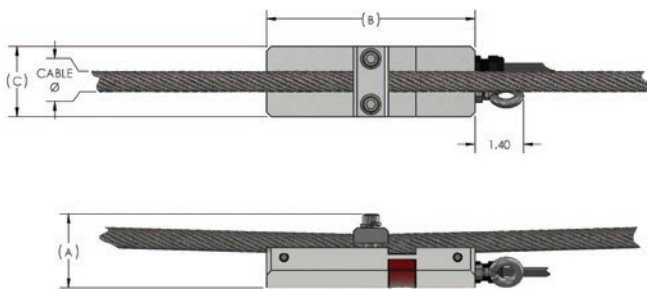
Part #	Description	Price
179080	Load Cell Assembly Clamp-On for 3/8 to 1/2 in wire rope	\$810.00
179082	Load Cell Assembly Clamp-On for 9/16 to 3/4 in wire rope	\$940.00
188816	Kit with SCT-2200 for 3/8 to 1/2 in wire rope	\$1,415.00
188817	Kit with SCT-2200 for 9/16 to 3/4 in wire rope	\$1,565.00

Larger diameter clamp ons available - call for pricing

Dimensions

Cable Range	Part #	A	B	C
3/8 to 1/2	179080	Cable + 1.70	6.00	2.00
9/16 to 3/4	179082	Cable + 1.67	6.00	2.00

*8mm cable can be used with PN 179080



Optional SCT-2200 transmitter

RICE LAKE
LOAD CELLS