

Weigh Modules

TABLE OF CONTENTS

Weigh Modules	33	EZ Mount 1 SS with RL72020SS	65
<i>Mild Steel, Isolated Tension Cell Weigh Module Kit</i>		<i>Stainless Steel, Weigh Module Kit</i>	
ITCM	34	EZ Mount 1 with MLC Coated RL72020	66
<i>Mild Steel, Isolated Tension Cell Weigh Module Kit</i>		<i>Stainless Steel, Weigh Module Kit</i>	
ITCM SS	35	EZ Mount 1 HE	67
<i>Stainless Steel, Isolated Tension Cell Weigh Module Kit</i>		<i>Stainless Steel, Weigh Module Kit</i>	
ITCM HE	36	RL1600 Series with RL77032	68
<i>Stainless Steel, Isolated Tension Cell Weigh Module Kit</i>		<i>Cast Iron, Weigh Module Kit</i>	
RL50225TA	37	RL1600 Series with RL77032	69
<i>Mild Steel, Mini Tank Weigh Module Kit</i>		<i>Mild Steel, Weigh Module Kit</i>	
RL50210TA	39	RL1600 Series with RL75016SS	70
<i>Mild Steel/Stainless Steel, Mini Tank Weigh Module Kit</i>		<i>Stainless Steel, Weigh Module Kit</i>	
65059	41	RL1600 SS Series with RL77032SS	71
<i>Mild Steel/Stainless Steel, Mini Tank Weigh Module Kit, VPG® Sensortronics®</i>		<i>Stainless Steel, Weigh Module Kit</i>	
RL50219SS-TA	43	RL1600 Series with MLC Coated RL75016... 72	
<i>Stainless Steel, Mini Tank Weigh Module Kit</i>		<i>Stainless Steel, Weigh Module Kit</i>	
Paramounts® EP	45	RL1600 HE Series with RL77032SS HE ... 73	
<i>Zinc Plated, Environmentally Protected, Weigh Module Kit</i>		<i>Stainless Steel, Weigh Module Kit</i>	
Paramounts® HS	47	MVS Mount/MVS	74
<i>Zinc Plated, Hermetically Sealed, Weigh Module Kit</i>		<i>Mild Steel, Weigh Module Conversion Kit</i>	
RLBTM	49	Translink™ Parallel Link	75
<i>Mild Steel/Stainless Steel, Weigh Module</i>		<i>Painted Mild Steel, Truck Scale Assembly</i>	
RL1800 Series	50	Motor Truck Scale	76
<i>Mild Steel/Stainless Steel, Weigh Module Kit</i>		<i>Electronic Weigh Module Conversion Kit</i>	
RL1800 Series with MLC Coated Load Cell	52	MagnaMount™	77
<i>Stainless Steel, Weigh Module Kit</i>		<i>Mount Assembly</i>	
RL1900 Series	53	Mettler Toledo® DiGITOL® Retrofit Kit	78
<i>Stainless Steel, Weigh Module Kit</i>		<i>Stainless Steel, Rice Lake Weighing Systems/Flintec</i>	
RLTM	54	Rice Lake Analog Retrofit Kit	80
<i>Stainless Steel, Weigh Module Kit</i>		<i>Stainless Steel, Analog Load Cells for Mettler Toledo PDX Digital Conversion to Analog</i>	
RL9000TWM Series	55	Rice Lake Analog Retrofit Kit	81
<i>Stainless Steel, Weigh Module Kit</i>		<i>Stainless Steel, Analog Load Cells for B-Tek Digital Conversion to Analog</i>	
RL9000TWM-HT	58	Electronic Floor Scale Underdeck Kits	82
<i>Stainless Steel, High Temperature, Weigh Module</i>			
RL2200 Series	59		
<i>Mild Steel, Weigh Module Kit</i>			
RL2200SS Series	60		
<i>Stainless Steel, Weigh Module Kit</i>			
RLC	61		
<i>Stainless Steel, Weigh Module Kit, VPG® Reverse</i>			
220 Universal Mount	62		
<i>Stainless Steel, Weigh Module Kit, VPG® Tedeo-Huntleigh®</i>			
EZ Mount 1 with RL72020	63		
<i>Mild Steel, Weigh Module Kit</i>			

Product names, logos, brands and other trademarks featured or referred to within this publication are the property of their respective trademark holders.

ITCM

Mild Steel, Isolated Tension Cell Weigh Module Kit



Picture is a representation of actual product.

Load Cell Approvals



Complete Kit Includes

- Three or four ITCM assemblies with RL200001 NTEP Certified S-beam load cells
- One JB4SS NEMA Type 4X stainless steel signal trim junction box
- 25 ft of hostile environment EL147HE SURVIVOR® load cell cable

Standard Features

- Capacities (per module): 100 to 20,000 lb
- Clevis mounts with nylon insulating washers
- Zinc-plated clevis assemblies
- Load cell is completely isolated from stray currents (except 20,000 lb)
- Grounding strap provides alternative path to ground
- Complete package for ease of installation
- Provides correct loading even in difficult installations
- Lower overall height compared to other isolated tension assemblies

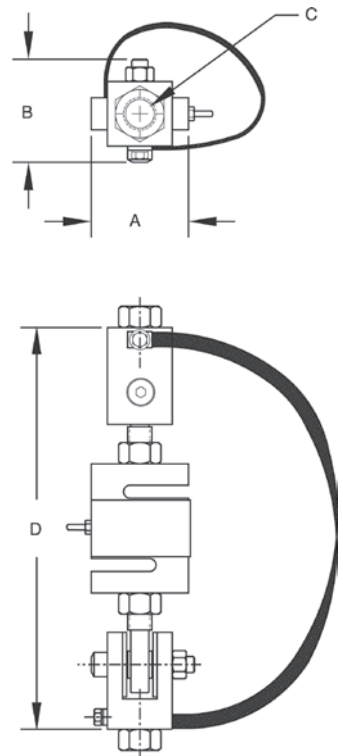
Applications

- Suspended hoppers and tanks
- Mechanical scale conversions
- Use as a single module or in multiples

WEIGH MODULES

Load Rating Dimensions Per Module

Load Cell Capacity lb/in	Dimensions				Single Module		3-Module Kit		4-Module Kit	
	A	B	C	D	Price	Price	Price	Price		
100	2.00	1.81	3/8-16 UNC	7.00 (ref)	17851	\$566.00	18003	\$1,995.00	18027	\$2,573.00
			1/2-13 UNC		17831	\$566.00	18004	\$1,995.00	18028	\$2,573.00
150	2.00	1.81	3/8-16 UNC	7.00 (ref)	30337	\$566.00	30357	\$1,995.00	30359	\$2,573.00
			1/2-13 UNC		30336	\$566.00	30358	\$1,995.00	30360	\$2,573.00
200	2.00	1.81	3/8-16 UNC	7.00 (ref)	30335	\$566.00	30361	\$1,995.00	30363	\$2,573.00
			1/2-13 UNC		30338	\$566.00	30362	\$1,995.00	30364	\$2,573.00
250	2.00	1.81	3/8-16 UNC	7.00 (ref)	17852	\$566.00	18005	\$1,995.00	18029	\$2,573.00
			1/2-13 UNC		17832	\$566.00	18006	\$1,995.00	18030	\$2,573.00
500	2.68	2.68	1/2-13 UNC	9.50 (ref)	17853	\$619.00	18007	\$2,138.00	18031	\$2,762.00
			5/8-11 UNC		17858	\$619.00	18008	\$2,138.00	18032	\$2,762.00
			3/4-10 UNC		17833	\$619.00	18009	\$2,138.00	18033	\$2,762.00
			1/2-13 UNC		17854	\$619.00	18010	\$2,138.00	18034	\$2,762.00
750	2.68	2.68	5/8-11 UNC	9.50 (ref)	17859	\$619.00	18011	\$2,138.00	18035	\$2,762.00
			3/4-10 UNC		17834	\$619.00	18012	\$2,138.00	18036	\$2,762.00
			1/2-13 UNC		17855	\$619.00	18013	\$2,138.00	18037	\$2,762.00
1,000	2.68	2.68	5/8-11 UNC	9.50 (ref)	17860	\$619.00	18014	\$2,138.00	18038	\$2,762.00
			3/4-10 UNC		17835	\$619.00	18015	\$2,138.00	18039	\$2,762.00
			1/2-13 UNC		17856	\$619.00	18016	\$2,138.00	18040	\$2,762.00
1,500	2.68	2.68	5/8-11 UNC	9.50 (ref)	17861	\$609.00	18017	\$2,138.00	18041	\$2,762.00
			3/4-10 UNC		17836	\$609.00	18018	\$2,138.00	18042	\$2,762.00
			1/2-13 UNC		17857	\$609.00	18019	\$2,138.00	18043	\$2,762.00
2,000	2.68	2.68	5/8-11 UNC	9.50 (ref)	17862	\$619.00	18020	\$2,138.00	18044	\$2,762.00
			3/4-10 UNC		17837	\$619.00	18021	\$2,138.00	18045	\$2,762.00
			1/2-13 UNC		17858	\$619.00	18022	\$2,138.00	18046	\$2,762.00
2,500	2.68	2.68	5/8-11 UNC	9.50 (ref)	17863	\$619.00	18023	\$2,138.00	18047	\$2,762.00
			3/4-10 UNC		17838	\$619.00	18024	\$2,773.00	18048	\$3,657.00
3,000	3.37	3.37	3/4-10 UNC	10.50 (ref)	30339	\$646.00	30365	\$2,229.00	30366	\$2,873.00
			1/2-13 UNC		17864	\$842.00	18025	\$2,773.00	18049	\$3,657.00
5,000	3.37	3.37	3/4-10 UNC	12.25 (ref)	17839	\$842.00	18026	\$2,773.00	18050	\$3,657.00
			1-8 UNC		17840	\$842.00	30353	\$5,642.00	30354	\$7,406.00
10,000	3.37	3.37	1-8 UNC	12.25 (ref)	17960	\$1,756.00	30355	\$5,642.00	30356	\$8,630.00
15,000	4.00	4.12	1 1/4-7 UNC	18.00 (ref)						
20,000	5.00	4.12	1 1/2-6 UNC	20.00 (ref)						





Complete Kit Includes

- Three or four ITCM assemblies with RL20000ST NTEP Certified S-beam load cells
- One JB4SS NEMA Type 4X stainless steel signal trim junction box
- 25 ft of hostile environment EL147HE SURVIVOR® load cell cable

Standard Features

- Capacities (per module): 100 to 5,000 lb
- Clevis mounts with nylon insulating washers
- PTFE lined rod-end ball joints
- Load cell is completely isolated from stray currents
- Grounding strap provides alternative path to ground
- Complete package for ease of installation
- Provides correct loading even in difficult installations
- Lower overall height compared to other isolated tension assemblies

Applications

- Suspended hoppers and tanks
- Mechanical scale conversions
- Use as a single module or in multiples

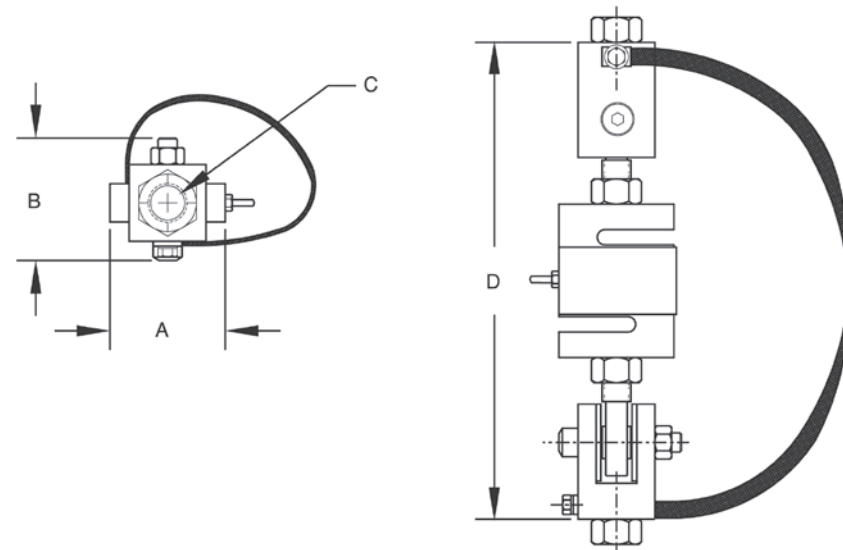
Picture is a representation of actual product.

Load Cell Approvals



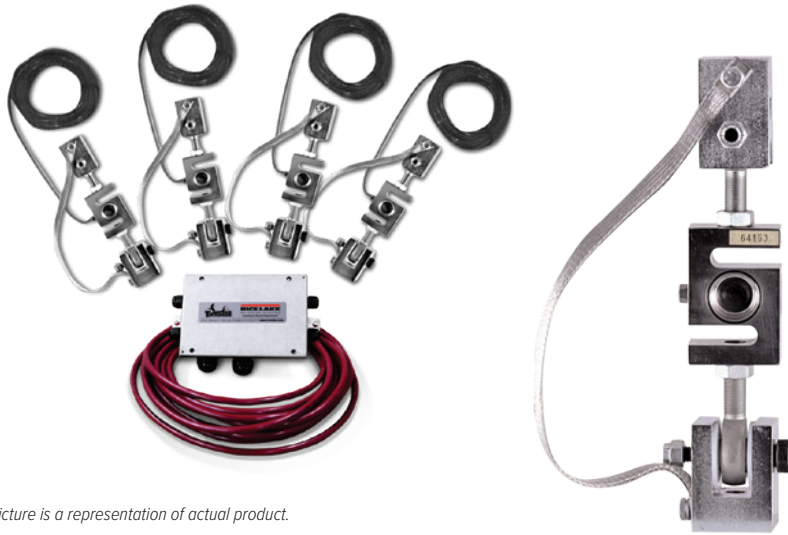
Load Rating Dimensions Per Module

Load Cell Capacity lb/in	A	B	C	D	Single Module		3-Module Kit		4-Module Kit	
						Price		Price		Price
100	2.00	1.81	3/8-16 UNC	7.00 (ref)	46765	\$892.00	46735	\$2,809.00	46751	\$3,598.00
			1/2-13 UNC		46766	\$892.00	46736	\$2,809.00	46752	\$3,598.00
250	2.00	1.81	3/8-16 UNC	7.00 (ref)	46767	\$892.00	46737	\$2,809.00	46753	\$3,598.00
			1/2-13 UNC		46768	\$892.00	46738	\$2,809.00	46754	\$3,598.00
500	2.68	2.68	1/2-13 UNC	9.50 (ref)	46769	\$892.00	46739	\$2,809.00	46755	\$3,598.00
			5/8-11 UNC		46770	\$892.00	46740	\$2,809.00	46756	\$3,598.00
750	2.68	2.68	1/2-13 UNC	9.50 (ref)	46771	\$892.00	46741	\$2,809.00	46757	\$3,598.00
			5/8-11 UNC		46772	\$892.00	46742	\$2,809.00	46758	\$3,598.00
1,000	2.68	2.68	1/2-13 UNC	9.50 (ref)	46773	\$892.00	46743	\$2,809.00	46759	\$3,598.00
			5/8-11 UNC		46774	\$892.00	46744	\$2,809.00	46760	\$3,598.00
2,500	2.68	2.68	5/8-11 UNC	9.50 (ref)	46775	\$892.00	46745	\$2,809.00	46761	\$3,598.00
			3/4-10 UNC		46776	\$892.00	46746	\$2,809.00	46762	\$3,598.00
3,000	3.37	3.37	3/4-10 UNC	10.75 (ref)	46777	\$962.00	46747	\$3,105.00	46763	\$3,890.00
			3/4-10 UNC		46778	\$1,651.00	46748	\$5,103.00	46764	\$6,608.00



ITCM HE

Stainless Steel, Isolated Tension Cell Weigh Module Kit



Picture is a representation of actual product.

Load Cell Approvals



Complete Kit Includes

- Three or four ITCM assemblies with RL20001HE NTEP Certified S-beam, stainless steel, welded-seal load cells
- One JB4SS NEMA Type 4X stainless steel signal trim junction box
- 25 ft of hostile environment EL147HE SURVIVOR® load cell cable

Standard Features

- Capacities (per module): 500 to 5,000 lb
- Clevis mounts with nylon insulating washers
- PTFE lined rod-end ball joints
- Load cell is completely isolated from stray currents
- Grounding strap provides alternative path to ground
- Complete package for ease of installation
- Provides correct loading even in difficult installations
- Lower overall height compared to other isolated tension assemblies

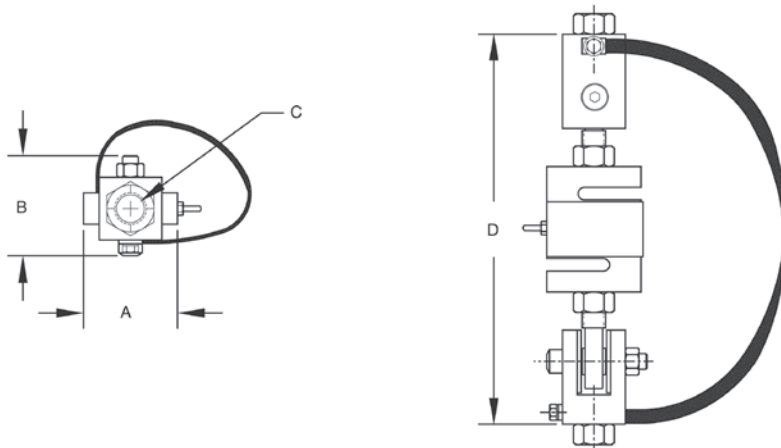
Applications

- Suspended hoppers and tanks
- Mechanical scale conversions
- Use as a single module or in multiples

WEIGH MODULES

Load Rating Dimensions Per Module

Load Cell Capacity	A	B	C	D	Single Module	Price	3-Module Kit	Price	4-Module Kit	Price
lb/in										
500	2.68	2.68	1/2-13 UNC 5/8-11 UNC 3/4-10 UNC	9.50 (ref)	46599 46600 46601	\$1,618.00 \$1,618.00 \$1,618.00	46561 46562 46563	\$4,702.00 \$4,702.00 \$4,702.00	46580 46581 46582	\$6,269.00 \$6,269.00 \$6,269.00
750	2.68	2.68	1/2-13 UNC 5/8-11 UNC 3/4-10 UNC	9.50 (ref)	46602 46603 46604	\$1,618.00 \$1,618.00 \$1,618.00	46564 46565 46566	\$4,702.00 \$4,702.00 \$4,702.00	46583 46584 46585	\$6,269.00 \$6,269.00 \$6,269.00
1,000	2.68	2.68	1/2-13 UNC 5/8-11 UNC 3/4-10 UNC	9.50 (ref)	46605 46606 46607	\$1,618.00 \$1,618.00 \$1,618.00	46567 46568 46569	\$4,702.00 \$4,702.00 \$4,702.00	46586 46587 46588	\$6,269.00 \$6,269.00 \$6,269.00
1,500	2.68	2.68	1/2-13 UNC 5/8-11 UNC 3/4-10 UNC	9.50 (ref)	46608 46609 46610	\$1,618.00 \$1,618.00 \$1,618.00	46570 46571 46572	\$4,702.00 \$4,702.00 \$4,702.00	46589 46590 46591	\$6,269.00 \$6,269.00 \$6,269.00
2,000	2.68	2.68	1/2-13 UNC 5/8-11 UNC 3/4-10 UNC	9.50 (ref)	46611 46612 46613	\$1,618.00 \$1,618.00 \$1,618.00	46573 46574 46575	\$4,702.00 \$4,702.00 \$4,702.00	46592 46593 46594	\$6,269.00 \$6,269.00 \$6,269.00
2,500	2.68	2.68	5/8-11 UNC 3/4-10 UNC	9.50 (ref)	46614 46615	\$1,618.00 \$1,618.00	46576 46577	\$4,702.00 \$4,702.00	46595 46596	\$6,269.00 \$6,269.00
3,000	3.37	3.37	3/4-10 UNC	10.00 (ref)	46616	\$1,618.00	46578	\$4,702.00	46597	\$6,269.00
5,000	3.37	3.37	3/4-10 UNC	12.62 (ref)	46617	\$2,399.00	46579	\$7,042.00	46598	\$9,338.00





RL50225TA

Mild Steel, Mini Tank Weigh Module Kit



Complete Kit Includes

- Three or four neoprene isolation/compression mounts with load cells
50 to 250 lb mild steel: RL50225
- One JBASS NEMA Type 4X stainless steel signal trim junction box
- 25 ft of hostile environment EL147HE SURVIVOR® load cell cable

Standard Features

- Zinc plated mild steel assemblies
- Weighing ranges from 50 to 250 lb per module
- Neoprene isolation mounts allow for minor misalignment, thermal expansion and shock absorption
- Overload stop provides durability

Applications

- Small tanks and hoppers
- Conveyor/In-motion weighing
- Small platform scales where minor shock loading may occur

Picture is a representation of actual product.

Load Cell Approvals



Order Information

Load Rating (Per Module)	Part #	Price
Single Module (Includes Load Cell)		
50 lb	232143	\$470.00
100 lb	232142	\$470.00
150 lb	232144	\$470.00
250 lb	232145	\$470.00
3-Module Kit		
50 lb	232147	\$1,645.00
100 lb	232149	\$1,645.00
150 lb	232151	\$1,645.00
250 lb	232153	\$1,645.00
4-Module Kit		
50 lb	232148	\$2,115.00
100 lb	232150	\$2,115.00
150 lb	232152	\$2,115.00
250 lb	232154	\$2,115.00

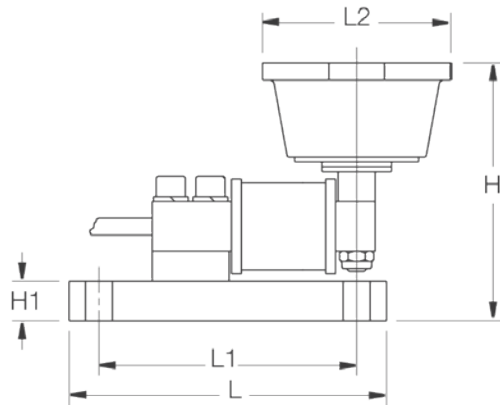
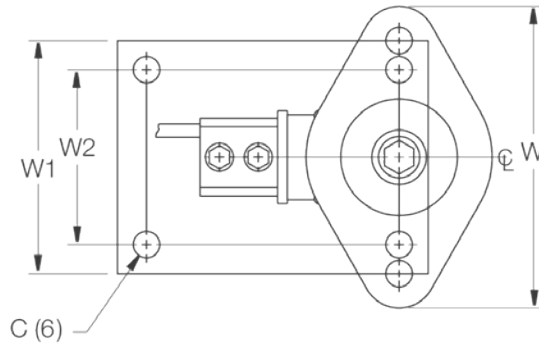
WEIGH MODULES

RL50225TA

Mild Steel, Mini Tank Weigh Module Kit

Dimensions

Rated Capacity	C	C1	H	H1	L	L1	L2	W	W1	W2	W3
50 to 250	0.34	-	3.13	0.50	4.00	3.25	2.38	3.88	3.00	2.25	-



WEIGH MODULES

RL50210TA

Mild Steel/Stainless Steel, Mini Tank Weigh Module Kit



RL50210TA mild steel (50lb-250lb)



Picture is a representation of actual product.

Load Cell Approvals



NTEP Certified 1,000lb mild steel load cell shown.

Complete Kit Includes

- Three or four neoprene isolation/compression mounts with load cells
 - 50 to 250 lb mild steel: RL50210
 - 500 lb mild steel: RL30000, RL50210 or RL50225
 - 1,000 to 2,500 lb mild steel: RL32018
 - 500 lb stainless steel: RL39123 or equivalent
 - 1,000 to 2,500 lb stainless steel: RL32018S
- One JB4SS NEMA Type 4X stainless steel signal trim junction box
- 25 ft of hostile environment EL147HE SURVIVOR® load cell cable

Standard Features

- NTEP Certified load cells (1,000 lb, 2,000 lb and 2,500 lb only)
- Zinc plated mild steel or stainless steel assemblies
- Weighing ranges from 50 to 2,500 lb per module
- Neoprene isolation mounts allow for minor misalignment, thermal expansion and shock absorption
- Overload stop provides durability

Applications

- Small tanks and hoppers
- Conveyor/In-motion weighing
- Small platform scales where minor shock loading may occur

Optional Features

- Stainless steel modules available in 500 lb capacities with RL39123 stainless steel load cells

WEIGH MODULES

Order Information

Load Rating (Per Module)	Part #	Price
Non-NTEP Certified Mild Steel Single Module (Includes Load Cell)		
50 lb	17844	\$470.00
100 lb	17845	\$470.00
150 lb	17846	\$470.00
250 lb	17847	\$470.00
500 lb	17848	\$625.00
NTEP Certified Mild Steel Single Module (Includes Load Cell)		
1,000 lb	17849	\$625.00
2,000 lb	17948	\$625.00
2,500 lb	17949	\$625.00
Non-NTEP Certified Mild Steel 3-Module Kit		
50 lb	18051	\$1,645.00
100 lb	18052	\$1,645.00
150 lb	18053	\$1,645.00
250 lb	18054	\$1,645.00
500 lb	18055	\$2,135.00
NTEP Certified Mild Steel 3-Module Kit		
1,000 lb	18056	\$2,135.00
2,000 lb	30398	\$2,135.00
2,500 lb	30396	\$2,135.00
Non-NTEP Certified Mild Steel 4-Module Kit		
50 lb	18057	\$2,115.00
100 lb	18058	\$2,115.00
150 lb	18059	\$2,115.00
500 lb	18061	\$2,700.00

RL50210TA

Mild Steel/Stainless Steel, Mini Tank Weigh Module Kit

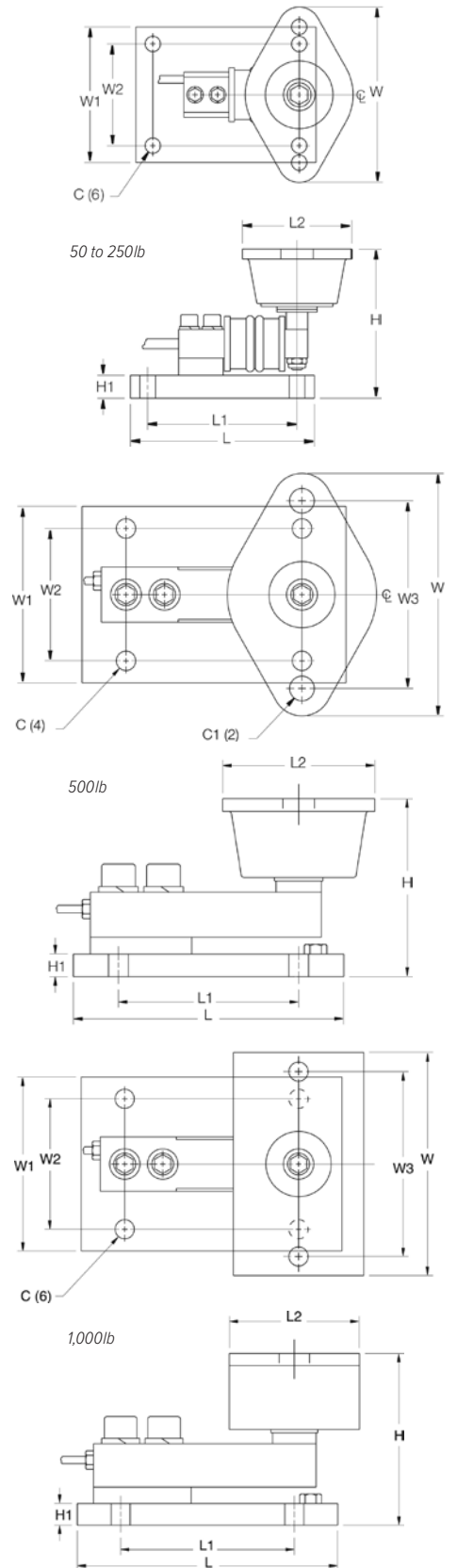
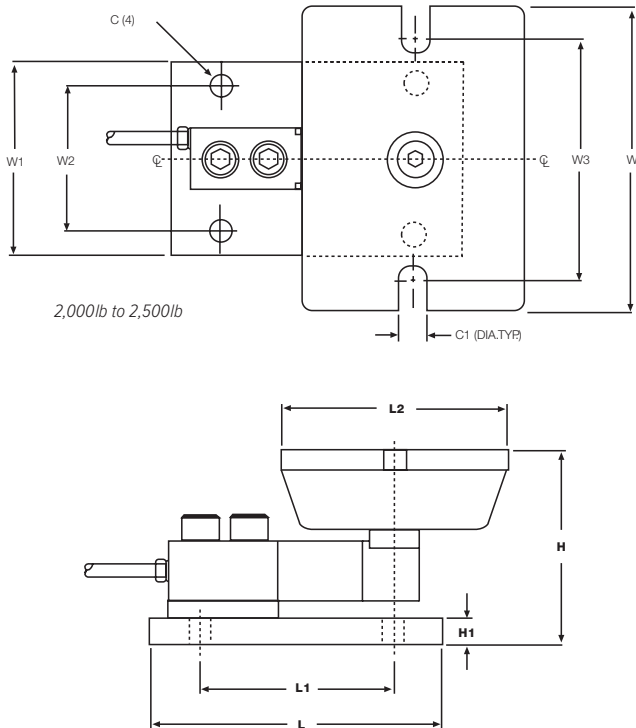
Order Information

Load Rating (Per Module)	Part #	Price
NTEP Certified Mild Steel 4- Module Kit		
1,000 lb	18062	\$2,700.00
2,000 lb	30397	\$2,700.00
2,500 lb	30395	\$2,700.00
Stainless Steel Single Module (Includes Load Cell)		
500 lb	17954	\$735.00
1,000 lb	17955	\$695.00
2,000 lb	17956	\$695.00
2,500 lb	17957	\$695.00
Stainless Steel 3-Module Kit		
500 lb	30394	\$2,380.00
1,000 lb	30404	\$2,380.00
2,000 lb	30402	\$2,380.00
2,500 lb	30400	\$2,380.00
Stainless Steel 4-Module Kit		
500 lb	30393	\$3,075.00
1,000 lb	30403	\$3,075.00
2,000 lb	30401	\$3,075.00
2,500 lb	30399	\$3,075.00

Dimensions

Rated Capacity	C	C1	H	H1	L	L1	L2	W	W1	W2	W3
50 to 250	0.34	-	3.13	0.50	4.00	3.25	2.38	3.88	3.00	2.25	-
500	0.44	0.56	3.88	0.50	6.00	4.00	3.38	5.50	4.00	3.00	4.13
1,000	0.44	-	4.00	0.50	6.00	4.00	3.00	5.13	4.00	3.00	4.13
2,000 to 2,500	0.44	0.56	4.00	0.50	6.00	4.00	4.62	6.25	4.00	3.00	5.00

WEIGH MODULES





NTEP Certified 1,000lb load cell shown.

65059 mild steel (50lb to 250lb)

Picture is a representation of actual product.

Load Cell Approvals



1,000 to 2,500 lb

Order Information

Load Rating (Per Module)	Part #	Price
Mild Steel Single Module (Includes Load Cell)		
50 lb	17825	\$470.00
100 lb	17826	\$470.00
150 lb	17827	\$470.00
250 lb	17828	\$470.00
500 lb	17829	\$625.00
1,000 lb	17830	\$625.00
2,000 lb	17946	\$625.00
2,500 lb	17947	\$625.00
Mild Steel 3-Module Kit		
50 lb	18063	\$1,645.00
100 lb	18064	\$1,645.00
150 lb	18065	\$1,645.00
250 lb	18066	\$1,645.00
500 lb	18067	\$2,135.00
1,000 lb	18068	\$2,135.00
2,000 lb	30413	\$2,088.00
2,500 lb	30412	\$2,135.00
Mild Steel 4-Module Kit		
50 lb	18069	\$2,115.00
100 lb	18070	\$2,115.00
150 lb	18071	\$2,115.00
250 lb	18072	\$2,115.00
500 lb	18073	\$2,700.00
1,000 lb	18074	\$2,645.00
2,000 lb	30414	\$2,700.00
2,500 lb	30411	\$2,700.00

Complete Kit Includes

- Three or four neoprene isolation/compression mounts with load cells. (1,000 to 2,500 lb are NTEP Certified)
 - 50 to 250 lb mild steel: 60040
 - 500 lb mild steel: 65023-500-0107
 - 1,000 to 2,500 lb mild steel: 65023A1K-5107
 - 500 lb stainless steel: 65023-500-0113
 - 1,000 to 2,500 lb stainless steel: 65023S1K-5113
- One JB4SS NEMA Type 4X stainless steel signal trim junction box
- 25 ft of hostile environment EL147HE SURVIVOR® load cell cable

Standard Features

- Zinc plated, mild steel modules
- Lower weighing ranges from 50 to 500 lb per module
- Environmentally protected load cells
- 1,000 to 2,500 lb capacities are NTEP Certified
- Neoprene isolation/compression mounts allow for minor misalignment, thermal expansion and shock absorption
- Overload stop for 500 lb modules provides durability

Applications

- Small tanks and hoppers
- Conveyor/In-motion weighing
- Small platform scales where minor shock loading may occur

65059

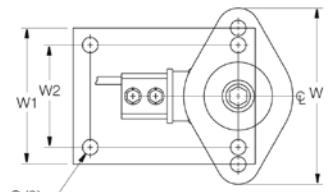
Mild Steel/Stainless Steel, Mini Tank Weigh Module Kit, VPG® Scentroidronics®

Order Information

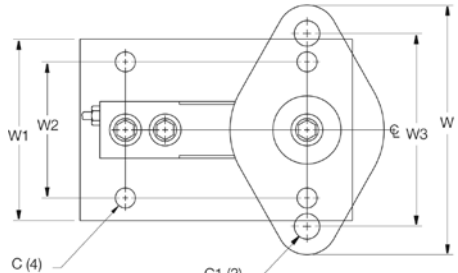
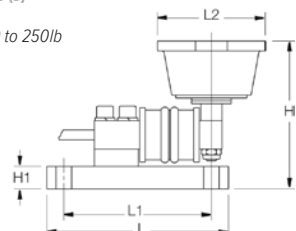
Load Rating (Per Module)	Part #	Price
Stainless Steel Single Module (Includes Load Cell)		
500 lb	17950	\$735.00
1,000 lb	17951	\$735.00
2,000 lb	17952	\$735.00
2,500 lb	17953	\$735.00
Stainless Steel 3-Module Kit		
500 lb	30392	\$2,435.00
1,000 lb	30410	\$2,435.00
2,000 lb	30408	\$2,435.00
2,500 lb	30406	\$2,435.00
Stainless Steel 4-Module Kit		
500 lb	30391	\$3,190.00
1,000 lb	30409	\$3,190.00
2,000 lb	30407	\$3,190.00
2,500 lb	30405	\$3,190.00

Dimensions

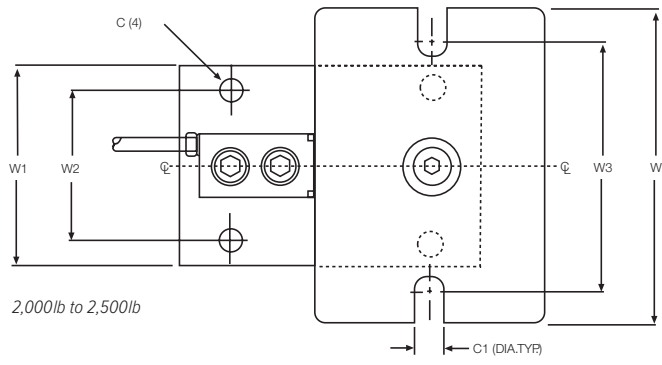
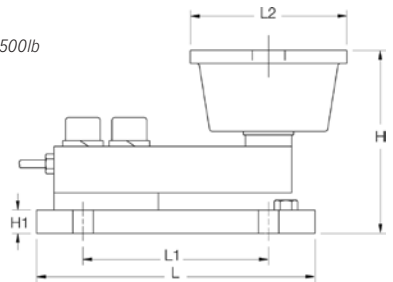
Rated Capacity	C	C1	H	H1	L	L1	L2	W	W1	W2	W3
lb/in											
50 to 250	0.34	-	3.13	0.50	4.00	3.25	2.38	3.88	3.00	2.25	-
500	0.44	0.56	3.88	0.50	6.00	4.00	3.38	5.50	4.00	3.00	4.13
1,000	0.44	-	4.00	0.50	6.00	4.00	3.00	5.13	4.00	3.00	4.13
2,000 to 2,500	0.44	0.56	4.00	0.50	6.00	4.00	4.62	6.25	4.00	3.00	5.00



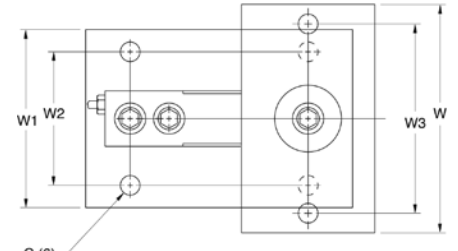
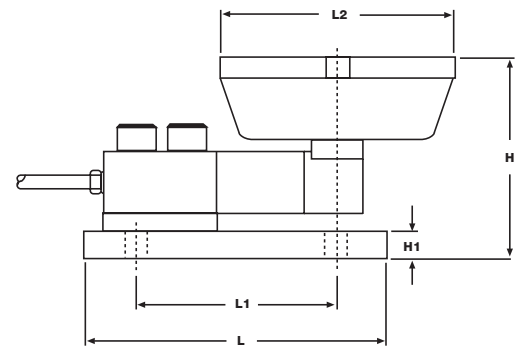
50 to 250lb



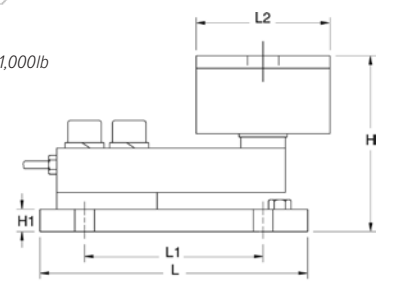
500lb



2,000lb to 2,500lb



1,000lb



WEIGH MODULES

RL50219SS-TA

Stainless Steel, Mini Tank Weigh Module Kit



RL50219SS-TA (50lb-250lb)

Picture is a representation of actual product.

Complete Kit Includes

- Three or four neoprene isolation/compression mounts with load cells
50 to 250 lb model: RL50219SS
500 lb model: multiple stainless steel, single-ended beam modules available
- One JB4SS NEMA Type 4X stainless steel signal trim junction box
- 25 ft of hostile environment EL147HE SURVIVOR® load cell cable

Standard Features

- Stainless steel modules
- Lower weighing ranges from 50 to 500 lb per module
- Environmentally protected load cells
- Neoprene isolation/compression mounts allow for minor misalignment, thermal expansion and shock absorption
- Overload stop for 500 lb modules provides durability

Applications

- Small tanks and hoppers
- Conveyor/In-motion weighing
- Small platform scales where minor shock loading may occur

Order Information

Load Rating (Per Module)	Part #	Price
Single Module (Includes Load Cell)		
50 lb	196829	\$710.00
75 lb	196830	\$710.00
100 lb	196831	\$710.00
150 lb	196832	\$710.00
250 lb	196833	\$710.00
500 lb	17954	\$735.00
3-Module Kit		
50 lb	196840	\$2,410.00
75 lb	196841	\$2,410.00
100 lb	196842	\$2,410.00
150 lb	196843	\$2,410.00
250 lb	196844	\$2,410.00
500 lb	30394	\$2,380.00
4-Module Kit		
50 lb	196845	\$3,115.00
75 lb	197015	\$3,115.00
100 lb	196846	\$3,115.00
150 lb	196848	\$3,115.00
250 lb	196849	\$3,115.00
500 lb	30393	\$3,075.00

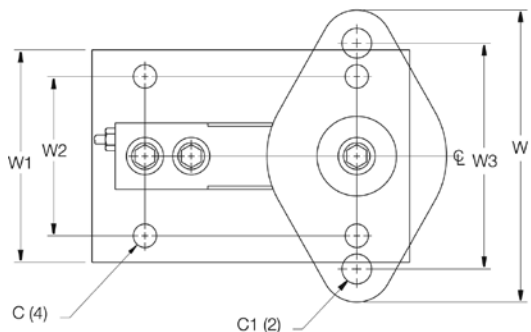
WEIGH MODULES

RL50219SS-TA

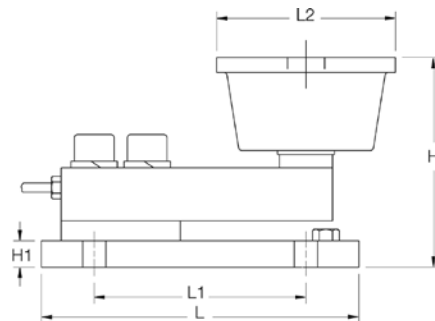
Stainless Steel, Mini Tank Weigh Module Kit

Dimensions

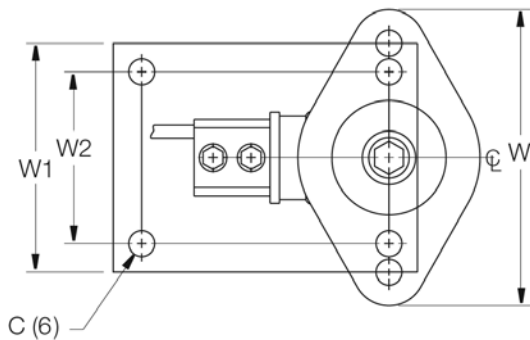
Rated Capacity	C	C1	H	H1	L	L1	L2	W	W1	W2	W3
lb/in											
50 to 250	0.34	-	3.13	0.50	4.00	3.25	2.38	3.88	3.00	2.25	-
500	0.44	0.56	3.88	0.50	6.00	4.00	3.38	5.50	4.00	3.00	4.13



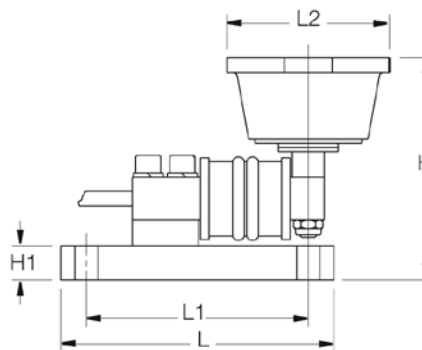
500lb

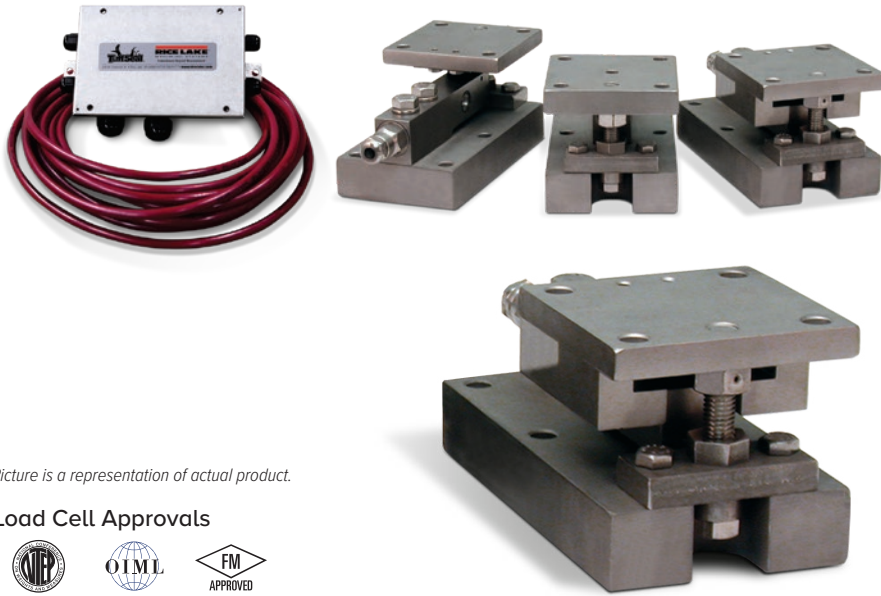


WEIGH MODULES



50 to 250lb





Picture is a representation of actual product.

Load Cell Approvals



Available

Order Information

Load Rating (Per Module)	Part #	Price
NTEP Certified 3-Module Kits		
5 kN	33683	\$2,665.00
10 kN	33682	\$2,665.00
20 kN	33681	\$2,665.00
50 kN	33680	\$3,055.00
NTEP Certified 4-Module Kits		
5 kN	33678	\$3,553.00
10 kN	33677	\$3,553.00
20 kN	33676	\$3,553.00
50 kN	33675	\$4,372.00
Non-NTEP Certified 3-Module Kit		
100 kN	33679	\$4,832.00
Non-NTEP Certified 4-Module Kit		
100 kN	33674	\$4,832.00

NOTE: 1 kN=224.8 lb

Complete Kit Includes

- One fixed-pin module, one side-stop module, and one or two free-sliding assemblies. Each module is complete with a NTEP Certified Flintec® SB5 stainless steel environmentally protected load cell.
- One JB4SS NEMA Type 4X stainless steel signal trim junction box
- 25 ft of hostile environment EL147HE SURVIVOR® load cell cable

Standard Features

- Capacities (per module): 5 to 20 kN
- NTEP Certified 1:5000 d, Class II load cells
- Unique design allows for thermal expansion/contraction
- Jacking screw allows empty vessel to be lifted clear of load cell for maintenance
- Unique blind load hole eliminates unwanted side and eccentric loads
- Vessel is free to slide laterally on PTFE coated surfaces
- mV/V/ohm load cell outputs allow for replacement without further calibration

Applications

- Light- to medium-capacity tanks and hoppers
- Process measurement and control

Paramounts® EP

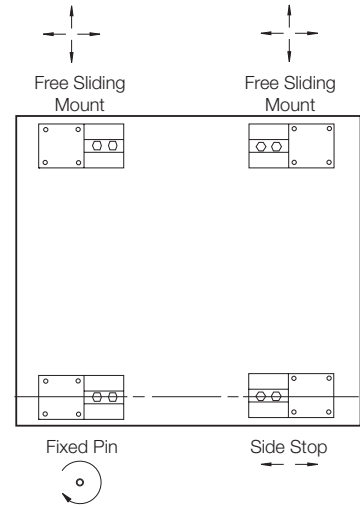
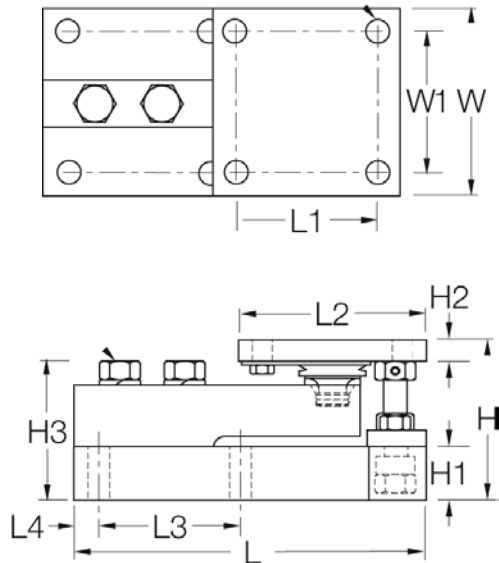
Zinc Plated, Environmentally Protected, Weigh Module Kit

Dimensions

Rated Capacity	C	H	H1	*H2	**H2	H3	L	L1	L2	L3	L4	W	W1
kN/in													
5 to 20	0.44	3.58	1.25	0.50	0.75	3.06	7.51	3.00	4.00	3.00	0.50	4.00	3.00
50	0.56	4.66	1.50	0.62	1.00	4.09	9.19	3.87	5.00	3.87	0.56	5.00	3.87
100	0.69	6.41	2.00	0.75	1.25	5.73	11.46	4.75	6.00	4.75	0.69	6.00	4.75

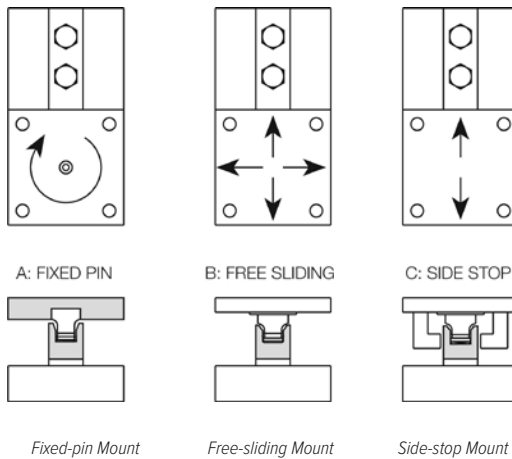
* Side-stop and free-sliding units ** Fixed-pin units

C (8PLS)



VESSEL ARRANGEMENT

When arranged as illustrated, the vessel is fixed at one corner but is able to slide freely as indicated. This ensures there is minimal side loading on the cells and at the same time the vessel is self-checking. The unique, patented blind load hole technology used in these mounts introduces the load at the neutral axis of the load cell which helps minimize the effects of side loads.



Fixed-pin Mount

Free-sliding Mount

Side-stop Mount

WEIGH MODULES

Paramounts® HS

Zinc Plated, Hermetically Sealed, Weigh Module Kit



Picture is a representation of actual product.

Load Cell Approvals



Available

Complete Kit Includes

- One fixed-pin module, one side-stop module, and one or two free-sliding assemblies. Each module is complete with a Flintec® SB4 NTEP Certified, stainless steel, hermetically sealed load cell.
- One JB4SS NEMA Type 4X stainless steel signal trim junction box
- 25 ft of hostile environment EL147HE SURVIVOR® load cell cable

Standard Features

- Capacities (per module): 5 to 100 kN
- Unique design allows for thermal expansion/contraction
- Jacking screw allows empty vessel to be lifted clear of load cell for maintenance
- Unique blind load hole eliminates unwanted side and eccentric loads
- Vessel is free to slide laterally on PTFE coated surfaces
- Load cell outputs are matched to $\pm 0.07\%$ allowing replacement without further calibration

Applications

- Light- to medium-capacity tanks and hoppers
- Mixers and blenders
- Process measurement and control

WEIGH MODULES

Order Information

Load Rating (Per Module)	Part #	Price
NTEP Certified 3-Module Kit		
5 kN	29871	\$3,370.00
10 kN	29872	\$3,370.00
23 kN	29873	\$3,370.00
50 kN	29874	\$4,000.00
NTEP Certified 4-Module Kit		
5 kN	29875	\$4,535.00
10 kN	29876	\$4,535.00
23 kN	29877	\$4,535.00
50 kN	29878	\$5,135.00
Non-NTEP Certified 3-Module Kit		
5 kN	17977	\$3,265.00
10 kN	17978	\$3,265.00
23 kN	17979	\$3,265.00
50 kN	17980	\$3,962.00
100 kN	17981	\$5,090.00

Load Rating (Per Module)	Part #	Price
Non-NTEP Certified 4-Module Kit		
5 kN	17984	\$4,282.00
10 kN	17985	\$4,282.00
23 kN	17986	\$4,282.00
50 kN	17987	\$4,875.00
100 kN	17988	\$6,160.00
Conduit Adapter Kit (must be factory installed to maintain warranty)		
1/2-14 NPT	17703	\$50.00

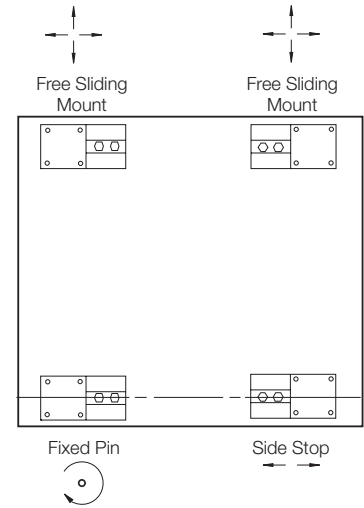
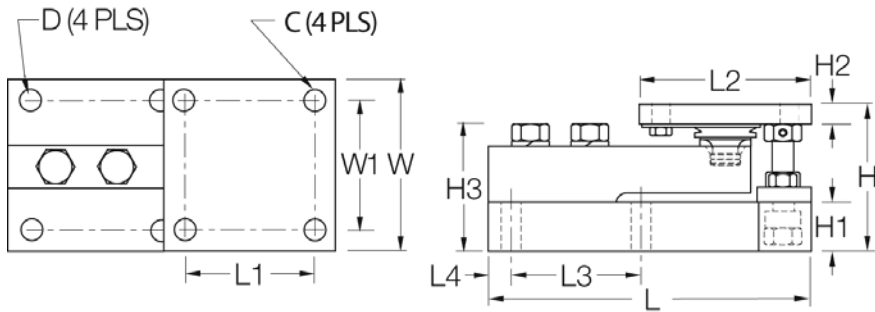
Paramounts® HS

Zinc Plated, Hermetically Sealed, Weigh Module Kit

Dimensions

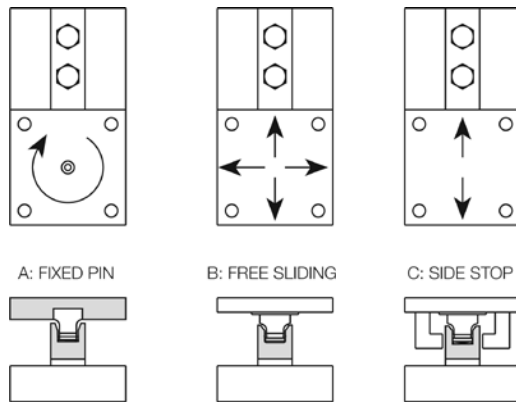
Rated Capacity	C	D	H	H1	*H2	**H2	H3	L	L1	L2	L3	L4	W	W1
kN/in														
5 to 23	0.44	0.44	3.58	1.25	0.50	0.75	3.06	7.51	3.00	4.00	3.00	0.50	4.00	3.00
50	0.56	0.56	4.66	1.50	0.62	1.00	4.09	9.19	3.87	5.00	3.87	0.56	5.00	3.87
100	0.69	0.69	6.41	2.00	0.75	1.25	5.73	11.46	4.75	6.00	4.75	0.69	6.00	4.75

* Side-stop and free-sliding units ** Fixed-pin units



VESSEL ARRANGEMENT

When arranged as illustrated, the vessel is fixed at one corner but is able to slide freely as indicated. This ensures there is minimal side loading on the cells and at the same time the vessel is self-checking. The unique, patented blind load hole technology used in these mounts introduces the load at the neutral axis of the load cell which helps minimize the effects of side loads.

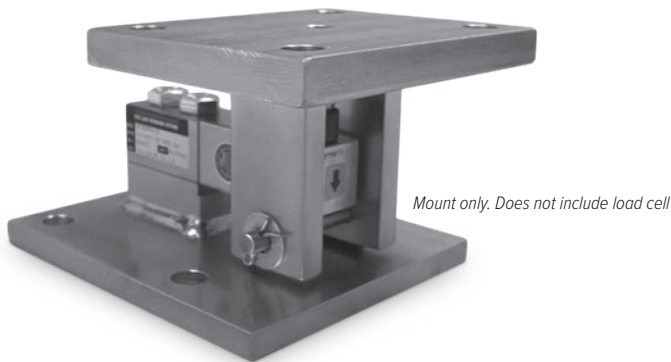


Fixed-pin Mount

Free-sliding Mount

Side-stop Mount

WEIGH MODULES



Picture is a representation of actual product.

Standard Features

- Capacities (per module): 250 to 5,000 lb SE
- Zinc plated, mild steel construction or stainless steel construction
- Self-checking, multi-directional movement
- Design incorporates a ball and cup for self-centering
- Will accommodate a standard shear beam 250 to 5,000 lb SE load cell that has a threaded load hole, such as the RL30000, RL39123, RL32018, RL32018S, RL32218S-HE

Applications

- Light- to medium-capacity tanks and hoppers
- Conveyors

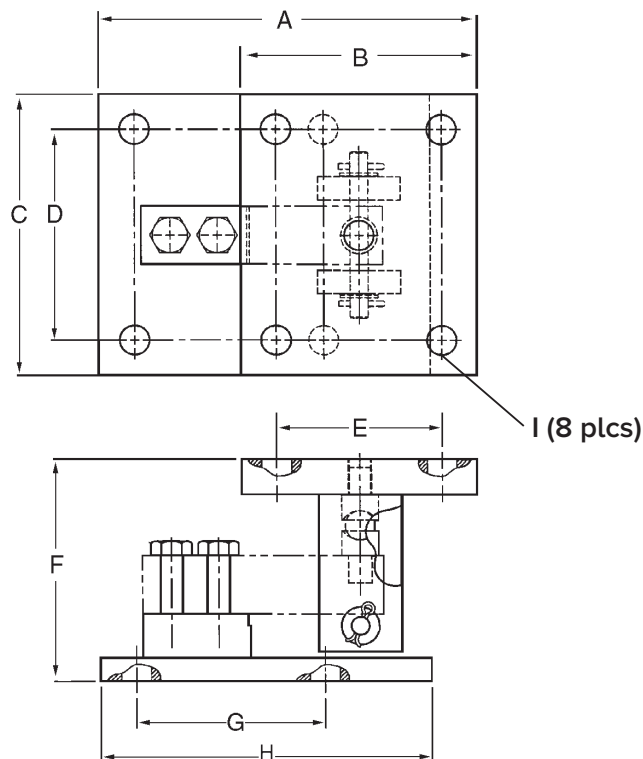
Order Information

Load Rating (Per Module)	Part #	Price
Single Module Mild Steel		
250 to 5,000 lb SE	53059	\$450.00
Single Module Stainless Steel		
250 to 5,000 lb SE	53066	\$675.00

Dimensions

Rated Capacity	A	B	C	D	E	F	G	H	I
250 to 5,000 SE	8.00	5.00	6.00	4.50	3.50	4.75	4.00	7.00	0.63

SE=Small envelope



WEIGH MODULES

RL1800 Series

Mild Steel/Stainless Steel, Weigh Module Kit

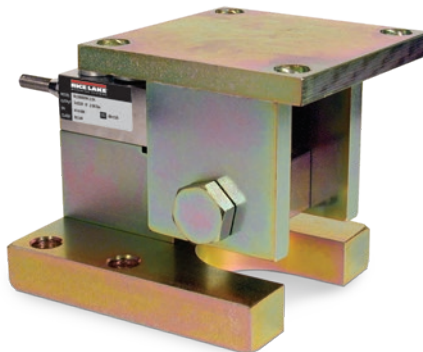


Picture is a representation of actual product.

Load Cell Approvals



Except 250lb



Complete Kit Includes

- Three or four RL1800 mild steel or stainless steel compression mounts with NTEP Certified RL32018 single-ended beam load cells, RL32018S used in stainless steel
- One JB4SS NEMA Type 4X stainless steel signal trim junction box
- 25 ft of hostile environment EL147HE SURVIVOR® load cell cable

Standard Features

- Capacities (per module): 250 to 10,000 lb
- NTEP Certified load cells in 500 to 10,000 lb capacities, except 3,000 lb
- Zinc plated mild steel/stainless steel construction
- Center-pivoted, tension loading design
- Self-checking, multi-directional movement
- Load is suspended on high-strength bolt instead of wire rope
- Design incorporates spherical washers for self centering

Applications

- Conveyors
- Medium-capacity tanks and hoppers
- Mixers and blenders
- Process measurement and control

WEIGH MODULES

Mild Steel Order Information

Load Rating (Per Module)	Part #	Price
Single Module (Does NOT Include Load Cell)		
250 to 5,000 lb SE	17817	\$410.00
5,000 LE to 10,000 lb	17819	\$450.00
3-Module Kit		
250 lb*	18075	\$2,350.00
500 lb	18076	\$2,350.00
1,000 lb	18077	\$2,350.00
2,000 lb	18078	\$2,350.00
2,500 lb	18079	\$2,350.00
3,000 lb	18080	\$2,350.00
4,000 lb	18081	\$2,350.00
5,000 lb SE	18082	\$2,350.00
5,000 lb LE	18083	\$2,700.00
10,000 lb	18084	\$2,700.00
4-Module Kit		
250 lb*	18085	\$3,050.00
500 lb	18086	\$3,050.00
1,000 lb	18087	\$3,050.00
2,000 lb	18088	\$3,050.00
2,500 lb	18089	\$3,050.00
3,000 lb	18090	\$3,050.00
4,000 lb	18091	\$3,050.00
5,000 lb SE	18092	\$3,050.00
5,000 lb LE	18093	\$3,500.00
10,000 lb	18094	\$3,500.00

* Non-NTEP

Stainless Steel Order Information

Load Rating (Per Module)	Part #	Price
Single Module (Does NOT Include Load Cell)		
250 to 4,000 lb	17818	\$650.00
5,000 to 10,000 lb	17820	\$695.00
3-Module Kit		
1,000 lb	18095	\$3,190.00
2,000 lb	18096	\$3,190.00
2,500 lb	18097	\$3,190.00
4,000 lb	18099	\$3,190.00
5,000 lb LE	18100	\$3,445.00
10,000 lb	18101	\$3,445.00
4-Module Kit		
1,000 lb	18102	\$4,250.00
2,000 lb	18103	\$4,250.00
2,500 lb	18104	\$4,250.00
4,000 lb	18106	\$4,250.00
5,000 lb LE	18107	\$4,595.00
10,000 lb	18108	\$4,595.00
Dummy Cell		
Dummy load cell 1 k to 5 k SE	22980	\$53.00

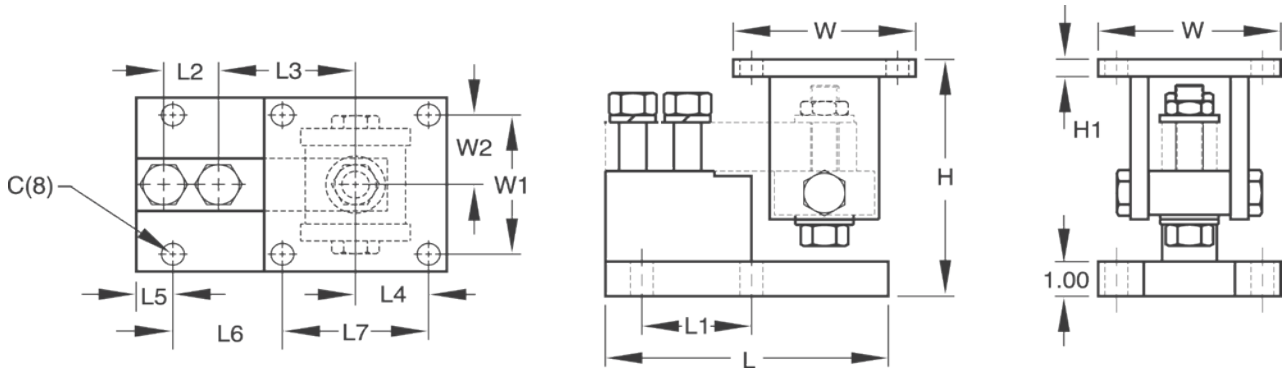
RL1800 Series

Mild Steel/Stainless Steel, Weigh Module Kit

Dimensions

Rated Capacity	C	H Min/Max	H1	L	L1	L2	L3	L4	L5	L6	L7	W	W1	W2
Mild Steel Construction														
<i>lb/in</i>														
250 to 5,000 SE	0.62	5.25/5.56	0.50	6.00	2.00	1.00	3.00	2.00	0.68	1.94	4.00	5.00	4.00	2.00
5,000 LE to 10,000	0.62	6.12/6.62	0.50	7.75	3.00	1.50	3.75	2.00	1.03	2.97	4.00	5.00	4.00	2.00
Stainless Steel Construction														
<i>lb/in</i>														
1,000 to 4,000	0.62	5.25/5.56	0.50	6.00	2.00	1.00	3.00	2.00	0.68	1.94	4.00	5.00	4.00	2.00
5,000 to 10,000	0.62	6.12/6.62	0.50	7.75	3.00	1.50	3.75	2.00	1.03	2.97	4.00	5.00	4.00	2.00

SE=Small envelope; LE=Large envelope



WEIGH MODULES

RL1800 Series with MLC Coated Load Cell

Stainless Steel, Weigh Module Kit



Picture is a representation of actual product.

Load Cell Approvals



Complete Kit Includes

- Three or four RL1800 stainless steel compression mounts with MLC coated RL32018 NTEP Certified single-ended beam load cells
- One JB4SS NEMA Type 4X stainless steel signal trim junction box
- 25 ft of hostile environment EL147HE SURVIVOR® load cell cable

Standard Features

- Capacities (per module): 1,000 to 10,000 lb
- NTEP Certified load cells in 1,000 to 10,000 lb capacities
- Stainless steel mounts
- Center-pivoted, tension loading design
- Self-checking, multi-directional movement
- Load is suspended on high-strength bolt instead of wire rope
- Design incorporates spherical washers for self centering
- Coated load cells for corrosion protection

Applications

- Conveyors
- Medium-capacity tanks and hoppers

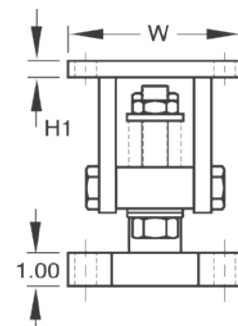
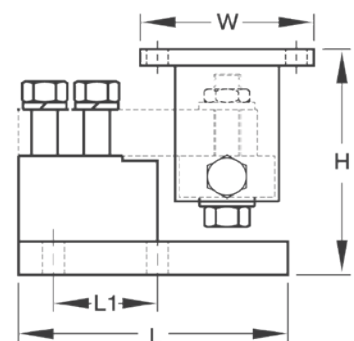
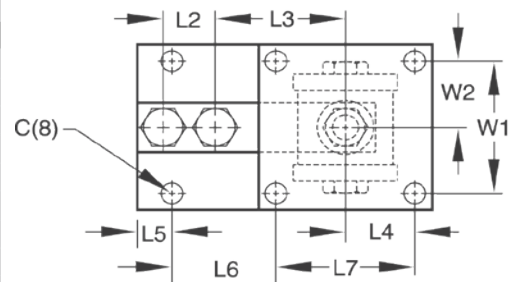
Stainless Steel Order Information

Load Rating (Per Module)	Part #	Price
Single Module (Does NOT Include Load Cell)		
1,000 to 5,000 SE lb	17818	\$650.00
5,000 LE to 10,000 lb	17820	\$695.00
3-Module Kit		
1,000 lb	219894	\$3,150.00
1,500 lb	219896	\$3,150.00
2,000 lb	219898	\$3,150.00
2,500 lb	219900	\$3,150.00
3,000 lb	219902	\$3,150.00
4,000 lb	219904	\$3,150.00
5,000 SE lb	219906	\$3,150.00
5,000 LE lb	219908	\$3,540.00
10,000 lb	219910	\$3,540.00
4-Module Kit		
1,000 lb	219895	\$4,140.00
1,500 lb	219897	\$4,140.00
2,000 lb	219899	\$4,140.00
2,500 lb	219901	\$4,140.00
3,000 lb	219903	\$4,140.00
4,000 lb	219905	\$4,140.00
5,000 SE lb	219907	\$4,140.00
5,000 LE lb	219909	\$4,650.00
10,000 lb	219911	\$4,650.00

Dimensions

Rated Capacity	C	H Min/Max	H1	L	L1	L2	L3	L4	L5	L6	L7	W	W1	W2
1,000 to 5,000 SE	0.62	5.25/5.56	0.50	6.00	2.00	1.00	3.00	2.00	0.68	1.94	4.00	5.00	4.00	2.00
5,000 LE to 10,000	0.62	6.12/6.62	0.50	7.75	3.00	1.50	3.75	2.00	1.03	2.97	4.00	5.00	4.00	2.00

SE=Small envelope; LE=Large envelope



WEIGH MODULES

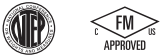
RL1900 Series

Stainless Steel, Weigh Module Kit



Picture is a representation of actual product.

Load Cell Approvals

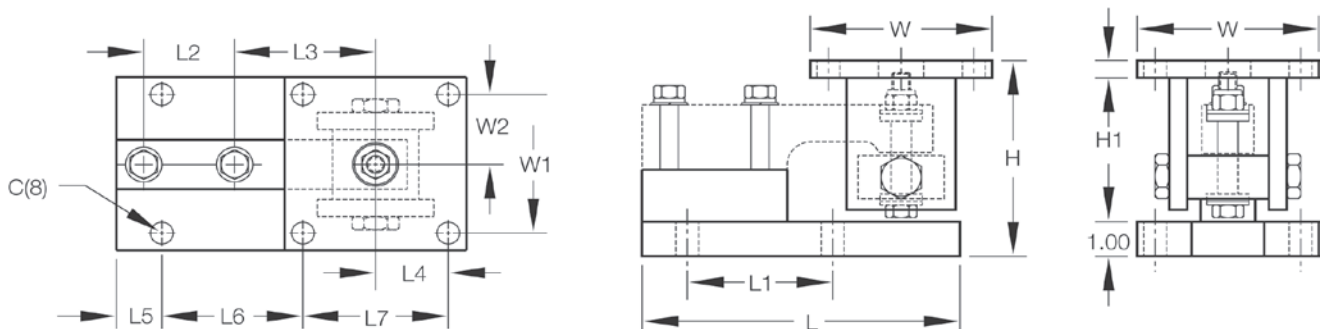


Order Information

Load Rating (Per Module)	Part #	Price
Single Module (Does NOT Include Load Cell)		
1,000 to 5,000 lb	17841	\$715.00
10,000 lb	17843	\$775.00
3-Module Kit		
1,000 lb	18109	\$4,285.00
2,000 lb	18110	\$4,285.00
5,000 lb	18111	\$4,285.00
10,000 lb	18112	\$4,770.00
4-Module Kit		
1,000 lb	18113	\$5,710.00
2,000 lb	18114	\$5,710.00
5,000 lb	18115	\$5,710.00
10,000 lb	18116	\$5,710.00

Dimensions

Rated Capacity C	H Min/Max	H1	L	L1	L2	L3	L4	L5	L6	L7	W	W1	W2	
lb/in														
1,000 to 5,000	0.62	5.38/5.62	0.50	8.75	4.00	2.50	3.88	2.00	1.12	4.00	4.00	5.00	4.00	2.00
10,000	0.81	6.88/7.50	1.00	9.75	5.00	2.63	4.88	2.25	1.00	5.00	4.50	6.00	4.50	2.25



Complete Kit Includes

- Three or four RL1900 stainless steel compression mounts with RLSSB NTEP Certified welded stainless steel single-ended beam load cells
- One JB4SS NEMA Type 4X stainless steel signal trim junction box
- 25 ft of hostile environment EL147HE SURVIVOR® load cell cable

Standard Features

- Capacities (per module): 1,000 to 10,000 lb
- NTEP Certified load cells, 1:5000 d, Class III single cell
- Stainless steel construction
- Mild steel top plate
- Low-profile design
- Center-pivoted, tension loading design
- Welded-seal stainless steel load cells, IP67
- Self-checking, multi-directional movement
- Easy load cell replacement
- Load is suspended on a high-strength bolt instead of wire rope
- Design incorporates spherical washers
- Compatible with VPG® Reverse SSB load cells
- Stainless steel top plates optional

Applications

- Medium-capacity tanks, bins and hoppers
- Washdown or corrosive applications

WEIGH MODULES

RLTM

Stainless Steel, Weigh Module Kit



Picture is a representation of actual product.

Load Cell Approvals



Order Information

Load Rating (Per Module)	Part #	Price
Single Module (Includes Load Cell)		
500 lb	159288	\$1,085.00
1,250 lb	159289	\$1,085.00
2,500 lb	159290	\$1,085.00
5,000 lb	159291	\$1,310.00
10,000 lb	159292	\$1,310.00
3-Module Kit		
500 lb	162942	\$3,375.00
1,250 lb	162944	\$3,375.00
2,500 lb	162945	\$3,375.00
5,000 lb	162946	\$4,180.00
10,000 lb	162947	\$4,180.00
4-Module Kit		
500 lb	162948	\$4,465.00
1250 lb	162949	\$4,465.00
2500 lb	162950	\$4,465.00
5000 lb	162951	\$5,375.00
10,000 lb	162953	\$5,375.00

Complete Kit Includes

- Three or four Rice Lake RLTM stainless steel mounting assemblies with RL32018S-T NTEP Certified, welded-seal stainless steel load cells
- One JB4SS NEMA Type 4X stainless steel signal trim junction box
- 25 ft of hostile environment EL147HE SURVIVOR® load cell cable

Standard Features

- Capacities (per module) 500 to 10,000 lb
- NTEP Certified load cells, 1:5,000 d, Class III multiple cell
- Stainless steel construction
- Overload and uplift protection
- Rocker pin loading
- Integral lateral stops

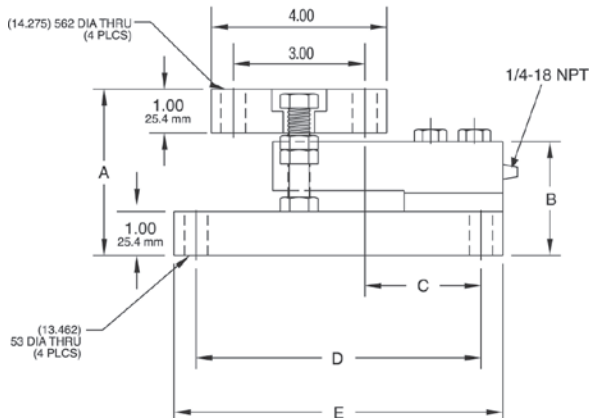
Applications

- Lower capacity tank and vessel weighing
- Process control and batching

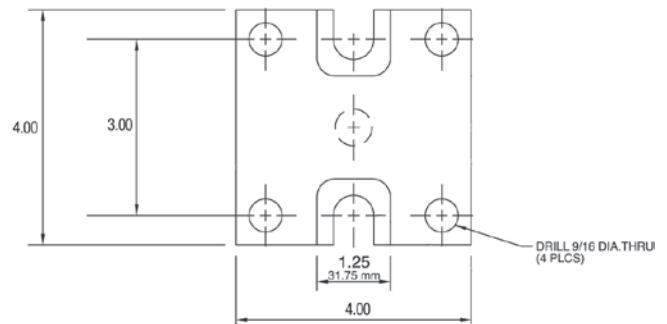
WEIGH MODULES

Dimensions

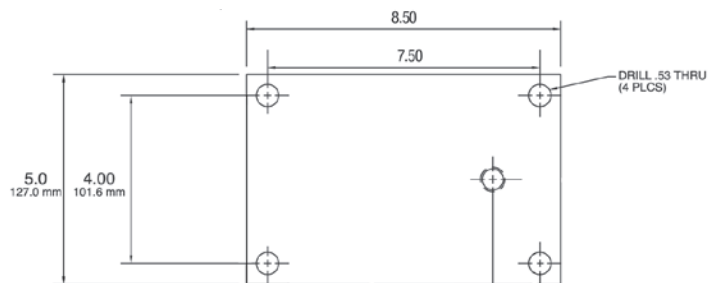
Rated Capacity	A	B	C	D	E
500 to 2,500	3.77	2.59	2.62	6.50	7.50
5,000	3.99	2.83	2.62	6.50	7.50
10,000	4.27	3.08	3.88	7.50	8.50



TOP PLATE



BASE PLATE



RL9000TWM Series

Stainless Steel, Weigh Module Kit



Picture is a representation of actual product.

Load Cell Approvals



Complete Kit Includes

- Three or four stainless steel mounting assemblies with RL9000TWM compression disk load cells
- One JB4SS NEMA Type 4X stainless steel signal trim junction box
- 25 ft of hostile environment EL147HE SURVIVOR® load cell cable

Standard Features

- Capacities (per module): 1,000 to 450,000 lb
- Stainless steel construction
- Mild steel base plates (stainless steel available on some capacities)
- Low-profile design
- Self-centering
- Self-checking assembly
- Offers 100% sideload, 100% uplift and 150% static safe load and 300% ultimate static overload protection
- Weighs accurately with up to 3° non-parallel load

Applications

- Tank, hopper or vessel weighing

Specifications

- Full Scale Output:**
3.0 ($\pm 0.1\%$) mV/V
- Bridge Resistance:**
350 ohm
- Material/Finish:**
Stainless steel
- Temperature:**
Operating:
0 °F to 150 °F (-17 °C to 65 °C)
- Seal Type:**
Welded-seal, IP67
- Safe Overload:**
150% full scale
- Rated Excitation:**
5 to 10 VDC
- Nonlinearity:**
1,000 to 100,000 lb: 0.05% FS
150,000 to 450,000 lb: 0.1% FS
- Insulation Resistance:**
5,000 megohm
- Non-repeatability:**
1,000 to 100,000 lb: 0.02% full scale
150,000 to 450,000 lb: 0.03% full scale
- Cable Length:**
25 ft
- Deflection at Capacity:**
1,000 to 15,000 lb: 0.002 in
20,000 to 50,000 lb: 0.004 in
60,000 to 200,000 lb: 0.007 in
250,000 to 450,000 lb: 0.009 in
- Cable Color Code:**
Green +Excitation
Black -Excitation
White +Signal
Red -Signal
- Warranty:**
Two-year limited

WEIGH MODULES

RL9000TWM Series

Stainless Steel, Weigh Module Kit

Order Information

Load Rating (Per Module)	Part #	Price
Single Module		
1,000 lb	84353	\$725.00
2,500 lb	84354	\$725.00
5,000 lb	84355	\$725.00
10,000 lb	84356	\$725.00
15,000 lb	84357	\$725.00
20,000 lb	84358	\$1,375.00
25,000 lb	84359	\$1,375.00
35,000 lb	84360	\$1,375.00
50,000 lb	84361	\$1,375.00
60,000 lb	84362	\$2,285.00
75,000 lb	84363	\$2,285.00
100,000 lb	84364	\$2,285.00
150,000 lb	84365	\$4,650.00
200,000 lb	84366	\$4,650.00
250,000 lb	84368	\$6,800.00
300,000 lb	84369	\$6,800.00
400,000 lb	84370	\$6,800.00
450,000 lb	84371	\$6,800.00
3-Module Kit		
1,000 lb	98974	\$2,400.00
2,500 lb	98980	\$2,400.00
5,000 lb	98981	\$2,400.00
10,000 lb	98982	\$2,400.00
15,000 lb	98983	\$2,400.00
20,000 lb	98984	\$4,350.00
25,000 lb	98985	\$4,350.00
35,000 lb	98986	\$4,350.00
50,000 lb	98987	\$4,350.00
60,000 lb	98988	\$7,005.00
75,000 lb	98989	\$7,005.00
100,000 lb	98990	\$7,005.00
150,000 lb	98991	\$14,085.00
200,000 lb	98992	\$14,085.00
250,000 lb	98993	\$20,565.00
300,000 lb	98994	\$20,565.00
400,000 lb	98995	\$20,565.00
450,000 lb	98996	\$20,465.00
4-Module Kit		
1,000 lb	98997	\$3,030.00
2,500 lb	98998	\$3,030.00
5,000 lb	98999	\$3,030.00
10,000 lb	99000	\$3,030.00
15,000 lb	99001	\$3,030.00
20,000 lb	99002	\$5,630.00
25,000 lb	99003	\$5,630.00
35,000 lb	99004	\$5,630.00
50,000 lb	99005	\$5,630.00
60,000 lb	99006	\$9,230.00
75,000 lb	99007	\$9,230.00
100,000 lb	99008	\$9,230.00
150,000 lb	99009	\$18,635.00
200,000 lb	99010	\$18,635.00
250,000 lb	99011	\$27,250.00
300,000 lb	99012	\$27,250.00
400,000 lb	99013	\$27,250.00
450,000 lb	99014	\$27,250.00

Load Rating (Per Module)	Part #	Price
Top Plates (Stainless Steel) with bolts		
1,000 to 15,000 lb	91207	\$135.00
20,000 to 50,000 lb	91210	\$295.00
60,000 to 100,000 lb	91211	\$485.00
150,000 to 200,000 lb	91213	\$740.00
250,000 to 450,000 lb	91215	\$1,725.00
Top Plates (Mild Steel) with bolts		
1,000 to 15,000 lb	124758	\$65.00
20,000 to 50,000 lb	125141	\$120.00
60,000 to 100,000 lb	124759	\$175.00
150,000 to 200,000 lb	124760	\$275.00
250,000 to 450,000 lb	124761	\$388.00
Dummy Weigh Modules (non-functioning)		
1,000 to 10,000 lb	158749	\$115.00
15,000 lb	158750	\$140.00
20,000 to 50,000 lb	158752	\$155.00
60,000 to 100,000 lb	158753	\$175.00
150,000 to 200,000 lb	158754	\$425.00
250,000 to 450,000 lb	158755	\$450.00

150,000 to 450,000 lb have mild steel painted base plates

Order Information

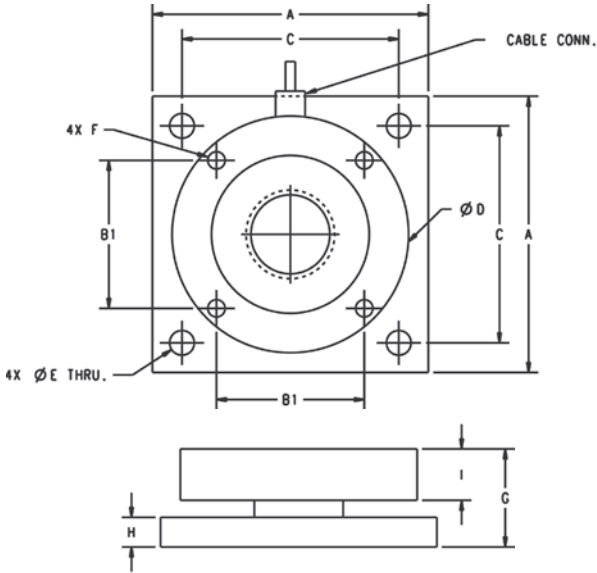
Capacity	Thickness	Material	Part #	Price
Shims				
1,000 to 15,000 lb	0.0625	SST	167001	\$6.00
1,000 to 15,000 lb	0.125	SST	167002	\$8.00
1,000 to 15,000 lb	0.250	SST	167003	\$11.00
1,000 to 15,000 lb	0.0625	MS	167004	\$2.50
1,000 to 15,000 lb	0.125	MS	167005	\$2.75
1,000 to 15,000 lb	0.250	MS	167006	\$3.25
20,000 to 50,000 lb	0.0625	SST	167008	\$15.00
20,000 to 50,000 lb	0.125	SST	167009	\$22.00
20,000 to 50,000 lb	0.250	SST	167010	\$34.00
20,000 to 50,000 lb	0.0625	MS	167011	\$9.00
20,000 to 50,000 lb	0.125	MS	167012	\$9.00
20,000 to 50,000 lb	0.250	MS	167013	\$10.00
60,000 to 100,000 lb	0.0625	SST	167014	\$24.00
60,000 to 100,000 lb	0.125	SST	167015	\$34.00
60,000 to 100,000 lb	0.250	SST	167016	\$53.00
150,000 to 200,000 lb	0.0625	SST	167020	\$32.00
150,000 to 200,000 lb	0.125	SST	167021	\$40.00
150,000 to 200,000 lb	0.250	SST	167022	\$65.00
250,000 to 450,000 lb	0.0625	SST	167026	\$40.00
250,000 to 450,000 lb	0.125	SST	167027	\$58.00
250,000 to 450,000 lb	0.250	SST	167028	\$75.00

Shims match dimensions of base plate and optional top plate

WEIGH MODULES

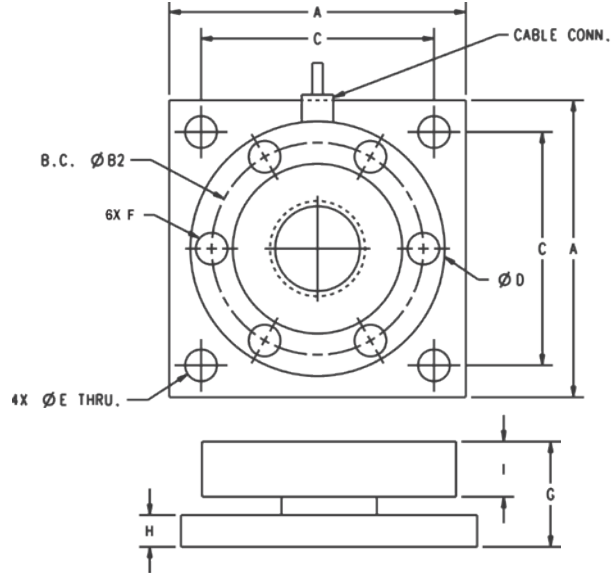
RL9000TWM Series

Stainless Steel, Weigh Module Kit



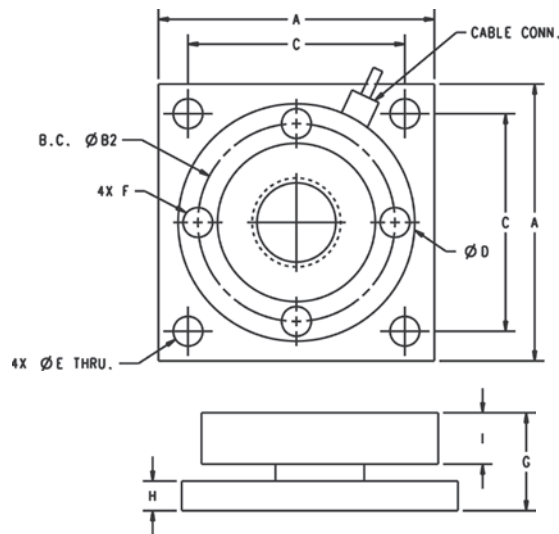
Dimensions

Rated Capacity	A	B1	C	D	E	F	G	H	I	Conduit Adapter
1,000 to 10,000	4.00	2.00	3.25	3.50	0.40	3/8-16 UNC	1.35	0.375	0.75	-
15,000	4.00	2.00	3.25	3.50	0.40	3/8-16 UNC	1.60	0.625	0.75	-
20,000 to 50,000	7.00	3.75	5.50	6.00	0.63	1/2-13 UNC	2.48	0.75	1.30	1/2-14 NPT
60,000 to 100,000	8.00	4.25	6.50	7.00	0.81	3/4-16 UNC	2.50	1.00	1.30	1/2-14 NPT



Dimensions

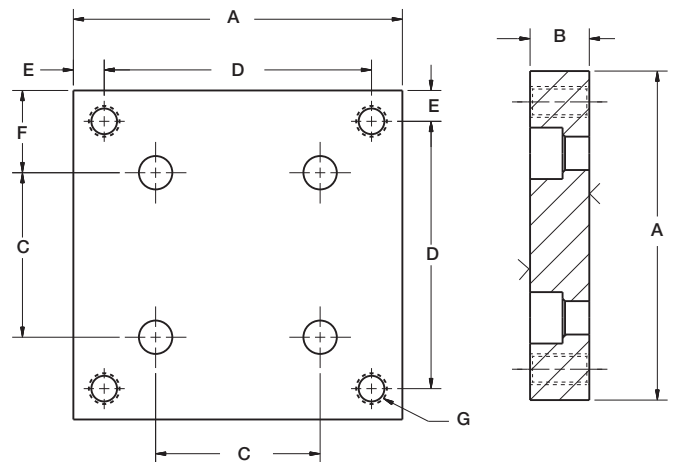
Rated Capacity	A	B2	C	D	E	F	G	H	I	Conduit Adapter
250,000 to 450,000	11.00	7.75	9.00	9.00	1.30	7/8-14 UNF	6.42	3.00	2.25	1/2-14 NPT



Dimensions

Rated Capacity	A	B2	C	D	E	F	G	H	I	Conduit Adapter
150,000 to 200,000	10.0	7.825	8.00	9.00	1.10	1-14 UNF	4.75	2.00	1.70	1/2-14 NPT

Optional Top Plates



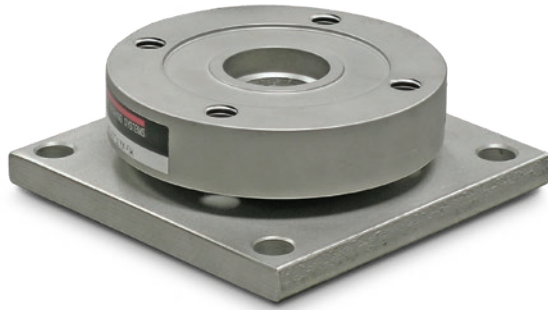
Dimensions

Rated Capacity	A	B	C	D	E	F	G
1,000 to 15,000	4.00	0.72	2.00	3.25	0.38	1.00	3/8-16 UNC
20,000 to 50,000	7.00	0.97	3.75	5.50	0.75	1.62	5/8-11 UNC
60,000 to 100,000	8.00	1.46	4.25	6.50	0.75	1.88	3/4-16 UNF
150,000 to 200,000	10.00	1.94	5.53	8.00	1.00	2.25	1-14 UNS
250,000 to 450,000	11.00	2.94	7.75 B.C.	9.00	1.00	1.00	1-1/4-12 UNF

WEIGH MODULES

RL9000TWM-HT

Stainless Steel, High Temperature, Weigh Module



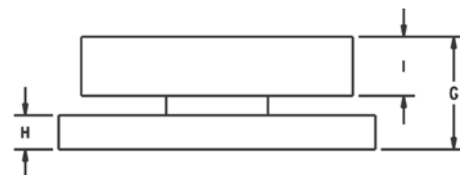
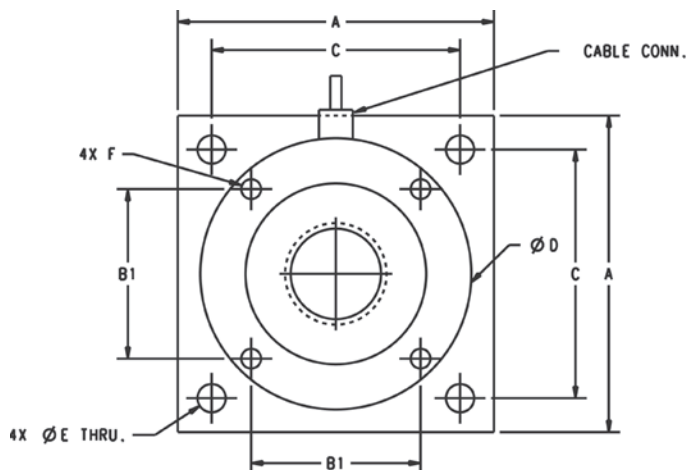
Picture is a representation of actual product.

Order Information

Load Rating (per module)	Part #	Price
Single Module		
1,000 lb	117050	\$1,300.00
2,500 lb	117051	\$1,300.00
5,000 lb	117052	\$1,300.00
10,000 lb	117140	\$1,285.00
15,000 lb	117053	\$1,300.00
20,000 lb	117054	\$2,075.00
25,000 lb	117055	\$2,075.00
35,000 lb	117056	\$2,075.00
50,000 lb	117057	\$2,075.00
Top Plates (Stainless Steel) with bolts		
1,000 to 15,000 lb	91207	\$135.00
20,000 to 50,000 lb	91210	\$295.00
Top Plates (Mild Steel) with bolts		
1,000 to 15,000 lb	124758	\$65.00
20,000 to 50,000 lb	125141	\$120.00

Dimensions

Rated Capacity	A	B1	C	D	E	F	G	H	I	Conduit Adapter
lb/in										
1,000 to 10,000	4.00	2.00	3.25	3.50	0.40	3/8-16 UNC	1.35	0.375	0.75	-
15,000	4.00	2.00	3.25	3.50	0.40	3/8-16 UNC	1.60	0.625	0.75	-
20,000 to 50,000	7.00	3.75	5.50	6.00	0.63	1/2-13 UNC	2.48	0.750	1.30	1/2-14NPT



Standard Features

- Capacities: 1,000 to 50,000 lb
- Stainless steel construction
- Low-profile design
- Self-centering
- Self-checking assembly
- Offers 100% side load, 100% uplift, 150% safe load and 300% ultimate overload protection
- Weighs accurately with up to 3° non-parallel load

Applications

- Tank, hopper, or vessel weighing
- High temperature applications

Optional Features

- Stainless steel top plates
- Higher capacities available upon request

Specifications

Full Scale Output:

3.0 (± 0.1%) mV/V

Bridge Resistance:

700 ohm

Material/Finish:

Stainless steel

Temperature:

Operating:

0 °F to 400 °F (-17 °C to 204 °C)

Seal Type:

Welded seal, IP67

Safe Overload:

150% full scale

Nonlinearity:

0.01% full scale

Insulation Resistance:

5,000 megohm

Non-repeatability:

0.02% full scale

Deflection at Capacity:

1,000 to 15,000 lb: 0.002 in
20,000 to 50,000 lb: 0.004 in

Cable Length:

25 ft PTFE jacket

Cable Color Code:

Green +Excitation
Black -Excitation
White +Signal
Red -Signal

Warranty:

Two-year limited

RL2200 Series

Mild Steel, Weigh Module Kit



Picture is a representation of actual product.

Complete Kit Includes

- Three or four RL2200 high-alloy, zinc-plated steel mounting assemblies with RL2200 compression disk load cells
- One JB4SS NEMA Type 4X stainless steel signal trim junction box
- 25 ft of hostile environment EL147HE SURVIVOR® load cell cable

Standard Features

- Capacities (per module): 2,500 to 50,000 lb
- Low-profile design
- Self-centering in all directions, able to withstand excessive side loads
- Self-checking assembly

Applications

- Tank, hopper or vessel weighing
- Belt or roller conveyors
- Scale platforms and screw feeders

Specifications

Full Scale Output:

- 4.0 mV/V
- 2.0 mV/V (2,500 lb)

Bridge Resistance:

- 350 ohm nominal

Material/Finish:

- High-alloy steel, painted

Temperature:

- Compensated:
- 15 °F to 115 °F (-9 °C to 46 °C)

Seal Type:

- Environmentally sealed

Safe Overload:

- 150% full scale

Rated Excitation:

- 5 to 10 VDC (20 V maximum)

Nonlinearity:

- 0.05% full scale

Hysteresis:

- 0.03% full scale

Insulation Resistance:

- 5,000 megohm

Cable Length:

- 30 ft

Cable Color Code:

- Red +Excitation
- Black -Excitation
- White +Signal
- Green -Signal

Warranty:

- Two-year limited

WEIGH MODULES

Order Information

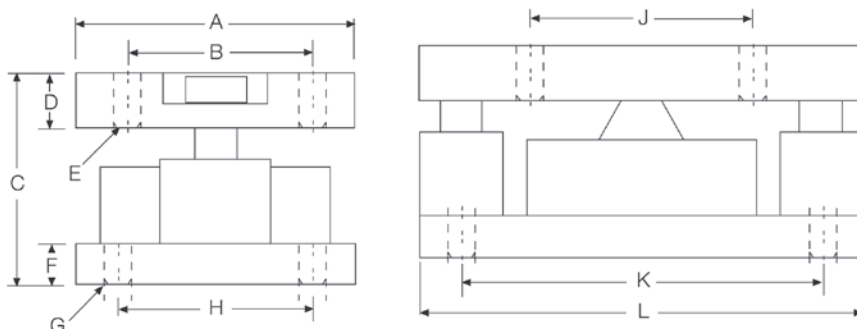
Load Rating (Per Module)	Part #	Price
Single Module		
2,500 lb	76656	\$3,235.00
5,000 lb	45849	\$3,235.00
10,000 lb	45848	\$3,235.00
25,000 lb	45847	\$4,275.00
50,000 lb	45846	\$4,275.00
3-Module Kit		
2,500 lb	76897	\$9,585.00
5,000 lb	42811	\$9,685.00
10,000 lb	42812	\$9,685.00
25,000 lb	42813	\$12,458.00
50,000 lb	42814	\$12,458.00
4-Module Kit		
2,500 lb	76898	\$12,850.00
5,000 lb	42815	\$12,850.00
10,000 lb	42816	\$12,850.00
25,000 lb	42817	\$15,499.00
50,000 lb	42818	\$15,499.00

Replacement Load Cell Order Information

Load Rating (Per Module)	Part #	Price
2,500 lb	76654	\$2,595.00
5,000 lb	45708	\$2,595.00
10,000 lb	45709	\$2,595.00
25,000 lb	45710	\$3,295.00
50,000 lb	45711	\$3,295.00

Dimensions

Rated Capacity	A	B	C	D	E	F	G	H	J	K	L
lb/in											
2,500 to 10,000	5.00	3.50	4.00	1.00	0.52	1.00	0.52	3.50	4.00	6.50	8.00
25,000 to 50,000	6.00	4.50	5.00	1.25	0.78	1.00	0.78	4.50	5.00	7.75	10.00



RL2200SS Series

Stainless Steel, Weigh Module Kit



Picture is a representation of actual product.

Order Information

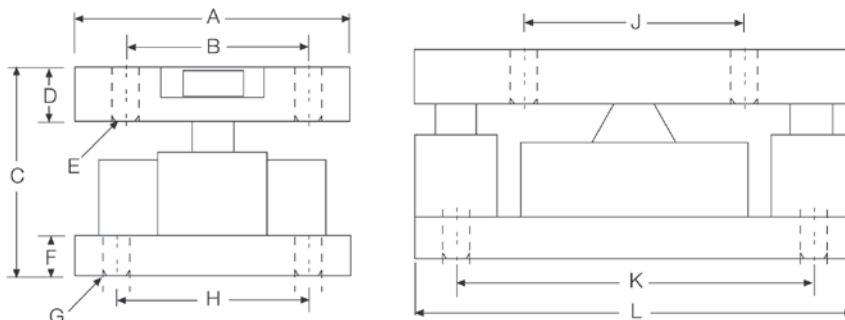
Load Rating (Per Module)	Part #	Price
Single Module		
2,500 lb	76657	\$4,195.00
5,000 lb	45845	\$4,195.00
10,000 lb	45844	\$4,195.00
25,000 lb	45843	\$5,810.00
50,000 lb	45842	\$5,810.00
3-Module Kit		
2,500 lb	76899	\$12,160.00
5,000 lb	46478	\$12,160.00
10,000 lb	46479	\$12,160.00
25,000 lb	46480	\$17,100.00
50,000 lb	46481	\$17,100.00
4-Module Kit		
2,500 lb	76900	\$16,125.00
5,000 lb	46482	\$16,125.00
10,000 lb	46483	\$16,125.00
25,000 lb	46484	\$22,410.00
50,000 lb	46485	\$22,410.00

Replacement Load Cell Order Information

Load Rating (Per Module)	Part #	Price
2,500 lb	76655	\$2,995.00
5,000 lb	45712	\$2,995.00
10,000 lb	45713	\$2,995.00
25,000 lb	45714	\$3,695.00
50,000 lb	45715	\$3,695.00

Dimensions

Rated Capacity	A	B	C	D	E	F	G	H	J	K	L
lb/in											
2,500 to 10,000	5.00	3.50	4.00	1.00	0.52	1.00	0.52	3.50	4.00	6.50	8.00
25,000 to 50,000	6.00	4.50	5.00	1.25	0.78	1.00	0.78	4.50	5.00	7.75	10.00



Complete Kit Includes

- Three or four RL2200 stainless steel mounting assemblies with RL2200SS stainless steel, hermetically sealed, compression disk load cells
- One JB4SS NEMA Type 4X stainless steel signal trim junction box
- 25 ft of hostile environment EL147HE SURVIVOR® load cell cable

Applications

- Medium- to heavy-capacity tank, hopper or vessel weighing
- Belt or roller conveyors
- Scale platforms and screw feeders

Specifications

Full Scale Output:

4.0 mV/V
2.0 mV/V (2,500 lb)

Bridge Resistance:

350 ohm nominal

Material/Finish:

Stainless steel

Temperature:

Compensated:
15 °F to 115 °F (9 °C to 46 °C)

Seal Type:

Hermetically sealed, IP66/68

Safe Overload:

150% full scale

Rated Excitation:

5 to 10 VDC (20 V maximum)

Nonlinearity:

0.05% full scale

Hysteresis:

0.03% full scale

Insulation Resistance:

5,000 megohm

Cable Length:

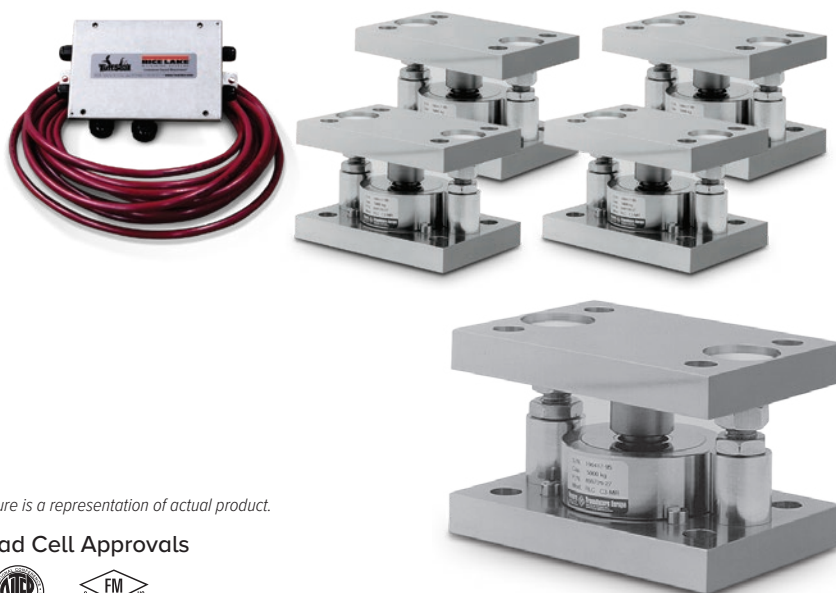
30 ft

Cable Color Code:

Red +Excitation
Black -Excitation
White +Signal
Green -Signal

Warranty:

Two-year limited



Picture is a representation of actual product.

Load Cell Approvals



Order Information

Load Rating (Per Module)	Part #	Price
Single Module (Includes Load Cell)		
0.5t	36401	\$1,198.00
1t	36402	\$1,198.00
2t	36403	\$1,383.00
5t	36405	\$1,383.00
3-Module Kit		
0.5t	36406	\$3,885.00
1t	36407	\$3,885.00
2t	36408	\$4,065.00
5t	36410	\$4,065.00
4-Module Kit		
0.5t	36411	\$5,083.00
1t	36412	\$5,083.00
2t	36413	\$5,422.00
5t	36415	\$5,422.00

Replacement Rocker Pin Set*

Load Rating (Per Module)	Part #	Price
0.5t to 1t	170875	\$132.00
2t to 5t	170876	\$132.00

*Kit includes upper cup, rocker pin and grease

Dimensions

Rated Capacity	H	H1	H2	L	L1	L2	T	W	W1	W2
ton/mm										
0.5 to 1	80.0	20.0	15.0	150.0	15.0	120.0	14.0 (top plate)	100.0	70.0	15.0
2 to 5	100.0	20.0	20.0	160.0	20.0	120.0	13.8 (bottom plate)	110.0	70.0	20.0

Complete Kit Includes

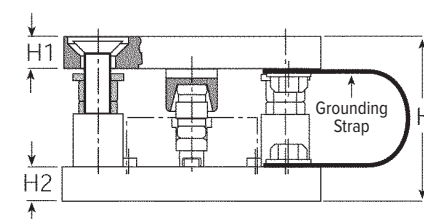
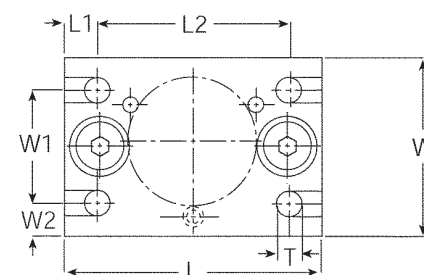
- Three or four RLC stainless steel compression mounts with RLC NTEP Certified stainless steel hermetically sealed compression disk load cells
- One JB4SS NEMA Type 4X stainless steel signal trim junction box
- 25 ft of hostile environment EL147HE SURVIVOR® load cell cable

Standard Features

- Capacities (per module): 0.5 to 5 t
- mV/V/Ohm calibrated load cells eliminates the need for trimming
- Stainless steel construction
- Rocker pin design allows movement in all directions
- Easy load cell replacement
- Integral jacking/shipping bolts

Applications

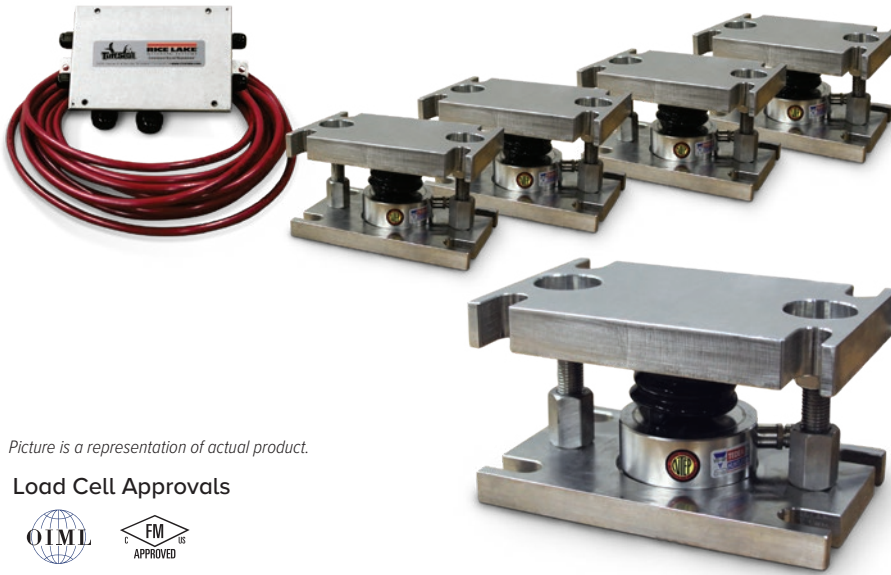
- Medium-capacity tanks, bins and hoppers
- Washdown or corrosive applications
- Process control and batch weighing



WEIGH MODULES

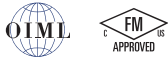
220 Universal Mount

Stainless Steel, Weigh Module Kit, VPG® Tedeo-Huntleigh®



Picture is a representation of actual product.

Load Cell Approvals



Complete Kit Includes

- Three or four 220 stainless steel compression mounts with 220 stainless steel hermetically sealed compression disk load cells
- One JB4SS NEMA Type 4X stainless steel signal trim junction box
- 25 ft of hostile environment EL147HE SURVIVOR® load cell cable

Standard Features

- Capacities (per module): 5,000 to 30,000 kg
- mV/V/ohm calibrated load cells eliminates the need for trimming
- Stainless steel construction
- Easy load cell replacement
- Integral jacking/shipping bolts

Applications

- Medium- to high-capacity tanks, bins and hoppers
- Washdown or corrosive applications
- Process control and batch weighing

Order Information

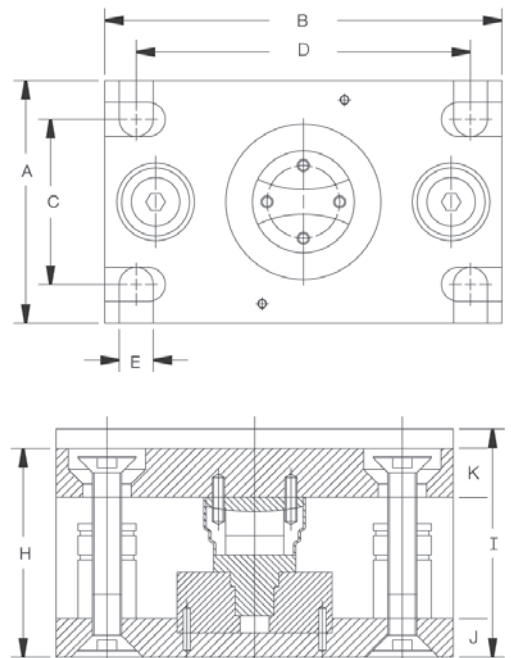
Load Rating (Per Module)	Part #	Price
3-Module Kit (Includes Load Cell)		
5,000 kg	66208	\$7,555.00
10,000 kg	66209	\$7,555.00
20,000 kg	66210	\$9,000.00
30,000 kg	66211	\$9,000.00
4-Module Kit (Includes Load Cell)		
5,000 kg	66212	\$9,969.00
10,000 kg	66213	\$9,969.00
20,000 kg	66214	\$12,072.00
30,000 kg	66215	\$12,072.00

Replacement Mount Parts

Load Rating (Per Module)	Part #	Price
Saddle 5,000 to 10,000 kg	227786	\$95.00
Rolling cylinder 5,000 to 10,000 kg	170882	\$111.00
Load adapter 5,000 kg	170880	\$117.00
Load adapter 10,000 kg	170881	\$165.00
Rubber boot 5,000 to 10,000 kg	171211	\$37.00
Saddle 20,000 to 30,000 kg	170884	\$127.00
Rolling cylinder 5,000 to 10,000 kg	170885	\$58.00
Load adapter 5,000 to 10,000 kg	170883	\$111.00
Rubber boot 5,000 to 10,000 kg	171212	\$32.00

Dimensions

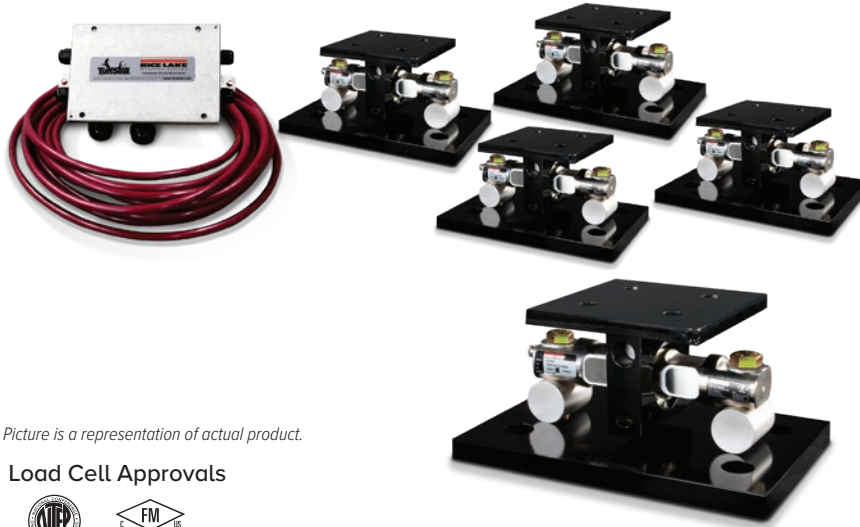
Rated Capacity	A	B	C	D	E	H	I	J	K
kg/mm									
5,000 to 10,000	127.0	203.0	90.0	170.0	18.0	107.0	Load Cell Replacement Height: 118.0 Operating Height: 107.0	19.1	25.4
20,000 to 30,000	152.0	245.0	115.0	208.0	24.0	148.0	Load Cell Replacement Height: 156.0 Operating Height: 148.1	31.8	25.4



WEIGH MODULES

EZ Mount 1 with RL72020

Mild Steel, Weigh Module Kit



Picture is a representation of actual product.

Load Cell Approvals



Order Information

Load Rating (Per Module)	Part #	Price
Single Module (Does NOT Include Load Cell)		
5,000 to 20,000 lb	17823	\$360.00
30,000 to 60,000 lb	17824	\$975.00
100,000 lb	17850	\$1,340.00
150,000 lb	29012	\$1,340.00
200,000 to 250,000 lb	26068	\$3,060.00
3-Module Kit		
5,000 lb	208881	\$3,310.00
10,000 lb	208882	\$3,310.00
20,000 lb	208883	\$3,310.00
30,000 lb	208884	\$5,350.00
40,000 lb	208885	\$5,350.00
50,000 lb	208886	\$5,350.00
60,000 lb	208887	\$5,350.00
100,000 lb	208888	\$8,620.00
150,000 lb	208889	\$8,620.00
4-Module Kit		
5,000 lb	208892	\$4,300.00
10,000 lb	208893	\$4,300.00
20,000 lb	208894	\$4,300.00
30,000 lb	208895	\$6,765.00
40,000 lb	208896	\$6,765.00
50,000 lb	208897	\$6,765.00
60,000 lb	208898	\$6,765.00
100,000 lb	208899	\$11,205.00
150,000 lb	208900	\$11,205.00

VPG Revere 5103 Order Information

Load Rating (Per Module)	Part #	Price
3-Module Kit		
5,000 lb	18175	\$3,420.00
10,000 lb	18176	\$3,420.00
20,000 lb	18177	\$3,420.00
30,000 lb	32169	\$5,465.00
40,000 lb	32171	\$5,465.00
50,000 lb	18178	\$5,625.00
60,000 lb	18179	\$5,625.00
100,000 lb	18180	\$8,735.00
150,000 lb	18181	\$8,735.00
4-Module Kit		
5,000 lb	18182	\$4,410.00
10,000 lb	18183	\$4,410.00
20,000 lb	18184	\$4,410.00
30,000 lb	32170	\$6,920.00
40,000 lb	32172	\$6,920.00
50,000 lb	18185	\$6,920.00
60,000 lb	18186	\$6,920.00
100,000 lb	18187	\$11,380.00
150,000 lb	18188	\$11,380.00
Dummy Load Cells		
5,000 to 20,000 lb	33749	\$90.00
30,000 to 60,000 lb	74016	\$122.00
100,000 lb	94175	\$265.00
150,000 lb	158715	\$265.00
Grounding Kit		
5,000 to 60,000 lb	126419	\$23.00

Complete Kit Includes

- Three or four EZ Mount 1 mild steel compression mounts with RL72020 NTEP Certified double-ended shear beam load cells
- One JB4SS NEMA Type 4X stainless steel signal trim junction box
- 25 ft of hostile environment EL147HE SURVIVOR® load cell cable

Standard Features

- Capacities (per module): 5,000 to 250,000 lb
- Unique sliding pin design compensates for thermal expansion/contraction
- Coated mild steel construction
- Self-checking
- Easy load cell replacement
- Simplified design allows bolting directly to tank and floor
- Double-ended beam design, center loaded
- Low-profile design
- Compatible with VPG® Revere 5103 load cell

Applications

- Medium- to heavy-capacity tank and hopper weighing applications

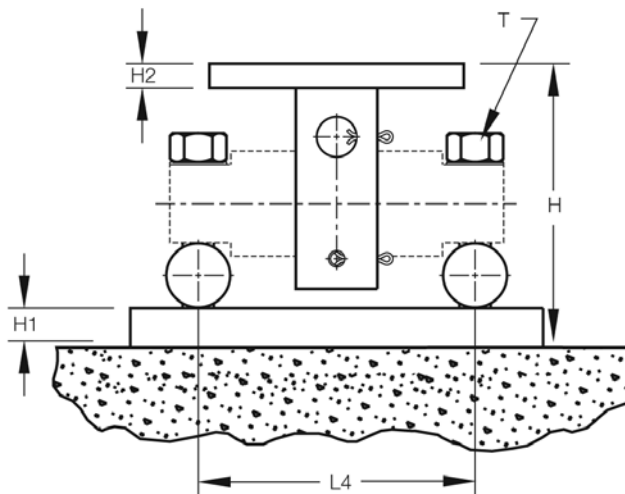
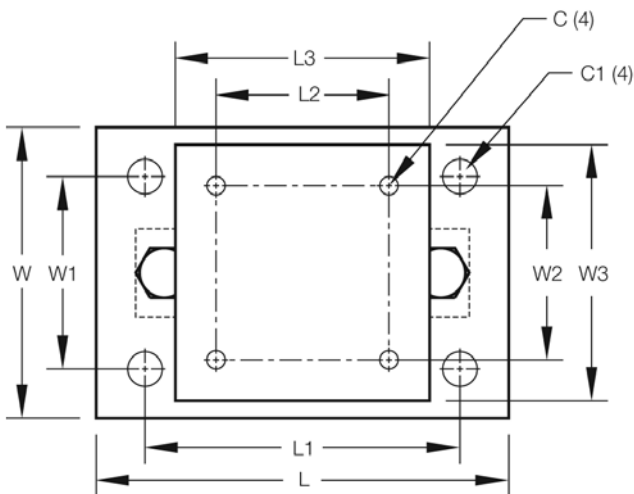
WEIGH MODULES

EZ Mount 1 with RL72020

Mild Steel, Weigh Module Kit

Dimensions

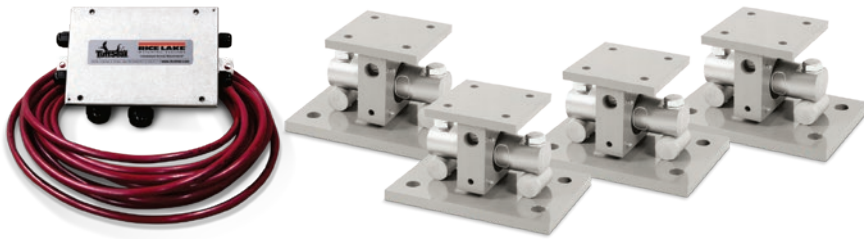
Rated Capacity	C	C1	H	H1	H2	L	L1	L2	L3	L4	T	W	W1	W2	W3
5,000 to 20,000	0.56	1.06	5.31	0.75	0.50	11.00	8.00	3.00	6.00	6.87	5/8-18 UNF	7.50	4.00	3.00	6.00
30,000 to 60,000	0.68	1.19	8.43	1.00	0.75	15.00	11.50	5.12	8.00	8.50	1-14 UNS	10.00	6.00	5.12	8.00
100,000 to 150,000	0.81	1.38	10.37	1.25	1.25	18.00	14.00	7.50	10.00	9.50	1-14 UNS	12.00	9.00	7.50	10.00
200,000 to 250,000	1.06	1.88	16.75	2.00	2.00	26.00	20.00	9.00	12.00	13.00	1 1/2-12 UNS	12.00	6.00	9.00	12.00



WEIGH MODULES

EZ Mount 1 SS with RL72020SS

Stainless Steel, Weigh Module Kit

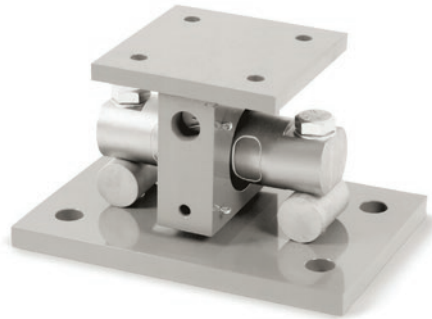


Picture is a representation of actual product.

Load Cell Approvals



NTEP Excluding
5K and 150K



Complete Kit Includes

- Three or four EZ Mount 1 stainless steel compression mounts with RL72020SS stainless steel double-ended shear beam load cells
- One JB4SS NEMA Type 4X stainless steel signal trim junction box
- 25 ft of hostile environment EL147HE SURVIVOR® load cell cable

Standard Features

- Capacities (per module): 5,000 to 150,000 lb
- NTEP Certified load cells (except for 5,000 and 150,000 lb modules)
- Stainless steel construction
- Unique sliding pin design compensates for thermal expansion/contraction
- Self-checking
- Easy load cell replacement
- Simplified design allows bolting directly to tank and floor
- Double-ended beam design, center-loaded
- Low-profile design
- Compatible with VPG® Revere 9103 load cell

Applications

- Medium- to heavy-capacity tank and hopper weighing applications

Order Information

Load Rating (Per Module)	Part #	Price
Single Module (Does NOT Include Load Cell)		
5,000 to 20,000 lb	17943	\$885.00
30,000 to 60,000 lb	17944	\$2,450.00
100,000 lb	17945	\$4,480.00
150,000 lb	29011	\$4,480.00
3-Module Kit		
5,000 lb*	208914	\$5,290.00
10,000 lb	208917	\$5,290.00
20,000 lb	208918	\$5,290.00
30,000 lb	208919	\$10,640.00
40,000 lb	208920	\$10,640.00
50,000 lb	208921	\$10,640.00
60,000 lb	208922	\$10,640.00
100,000 lb	208923	\$19,570.00
150,000 lb*	208924	\$19,570.00

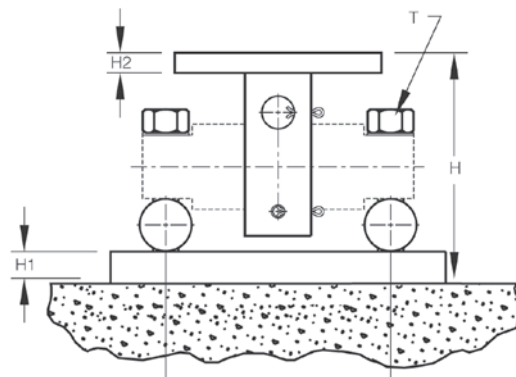
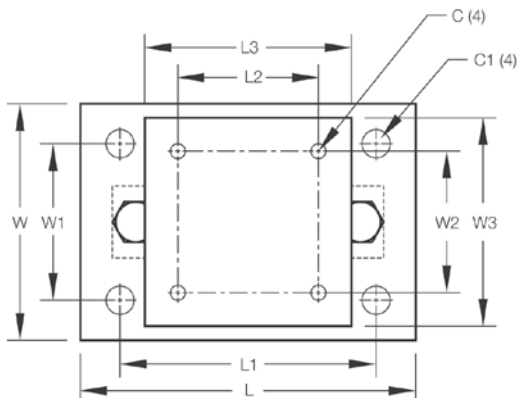
* Non-NTEP Certified

Load Rating (Per Module)	Part #	Price
4-Module Kit		
5,000 lb*	208925	\$6,865.00
10,000 lb	208926	\$6,865.00
20,000 lb	208927	\$6,865.00
30,000 lb	208928	\$14,010.00
40,000 lb	208929	\$14,010.00
50,000 lb	208930	\$14,010.00
60,000 lb	208931	\$14,010.00
100,000 lb	208932	\$26,030.00
150,000 lb*	208933	\$26,030.00
Dummy Load Cells (Mild Steel)		
5,000 to 20,000 lb	33749	\$90.00
30,000 to 60,000 lb	74016	\$122.00
100,000 lb	94175	\$265.00
150,000 lb	158715	\$265.00
Grounding Kit		
5,000 to 60,000 lb	126419	\$23.00

Includes ground strap and mounting hardware per mount

Dimensions

Rated Capacity	C	C1	H	H1	H2	L	L1	L2	L3	L4	T	W	W1	W2	W3
lb/in															
5,000 to 20,000	0.56	1.06	5.31	0.75	0.50	11.00	8.00	3.00	6.00	6.87	5/8-18 UNF	7.50	4.00	3.00	6.00
30,000 to 60,000	0.68	1.19	8.43	1.00	0.75	15.00	11.50	5.12	8.00	8.50	1-14 UNS	10.00	6.00	5.12	8.00
100,000 to 150,000	0.81	1.38	10.37	1.25	1.25	18.00	14.00	7.50	10.00	9.50	1-14 UNS	12.00	9.00	7.50	10.00



EZ Mount 1 with MLC Coated RL72020

Stainless Steel, Weigh Module Kit



Picture is a representation of actual product.

Load Cell Approvals



Order Information

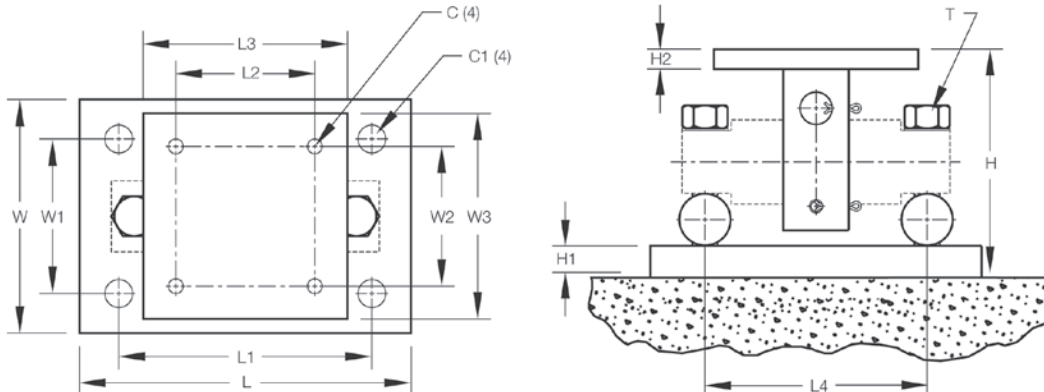
Load Rating (Per Module)	Part #	Price
Single Module (Does NOT Include Load Cell)		
5,000 to 20,000 lb	17943	\$885.00
30,000 to 60,000 lb	17944	\$2,450.00
100,000 lb	17945	\$4,480.00
150,000 lb	29011	\$4,480.00
3-Module Kit		
5,000 lb	208957	\$4,775.00
10,000 lb	208959	\$4,775.00
20,000 lb	208961	\$4,775.00
30,000 lb	208963	\$9,895.00
40,000 lb	208965	\$9,895.00
50,000 lb	208967	\$9,895.00
60,000 lb	208969	\$9,895.00
100,000 lb	208971	\$18,515.00
150,000 lb	208973	\$18,515.00

Load Rating (Per Module)	Part #	Price
4-Module Kit		
5,000 lb	208958	\$6,380.00
10,000 lb	208960	\$6,380.00
20,000 lb	208962	\$6,380.00
30,000 lb	208964	\$13,195.00
40,000 lb	208966	\$13,195.00
50,000 lb	208968	\$13,195.00
60,000 lb	208970	\$13,195.00
100,000 lb	208972	\$24,650.00
150,000 lb	208974	\$24,650.00
Dummy Load Cells (Mild Steel)		
5,000 to 20,000 lb	33749	\$90.00
30,000 to 60,000 lb	74016	\$122.00
100,000 lb	94175	\$265.00
150,000 lb	158715	\$265.00
Grounding Kit		
5,000 to 60,000 lb	126419	\$23.00

Includes ground strap and mounting hardware per mount

Dimensions

Rated Capacity	C	C1	H	H1	H2	L	L1	L2	L3	L4	T	W	W1	W2	W3
5,000 to 20,000	0.56	1.06	5.31	0.75	0.50	11.00	8.00	3.00	6.00	6.87	5/8-18 UNF	7.50	4.00	3.00	6.00
30,000 to 60,000	0.68	1.19	8.43	1.00	0.75	15.00	11.50	5.12	8.00	8.50	1-14 UNS	10.00	6.00	5.12	8.00
100,000 to 150,000	0.81	1.38	10.37	1.25	1.25	18.00	14.00	7.50	10.00	9.50	1-14 UNS	12.00	9.00	7.50	10.00



Complete Kit Includes

- Three or four EZ Mount 1 stainless steel compression mounts with RL72020 MLC Coated NTEP Certified double-ended shear beam load cells
- One JB4SS NEMA Type 4X stainless steel signal trim junction box
- 25 ft of hostile environment EL147HE SURVIVOR® load cell cable

Standard Features

- Capacities (per module): 5,000 to 150,000 lb
- Unique sliding pin design compensates for thermal expansion/contraction
- Stainless steel construction (mount)
- Self-checking
- Easy load cell replacement
- Simplified design allows bolting directly to tank and floor
- Double-ended design, center-loaded
- Low-profile design

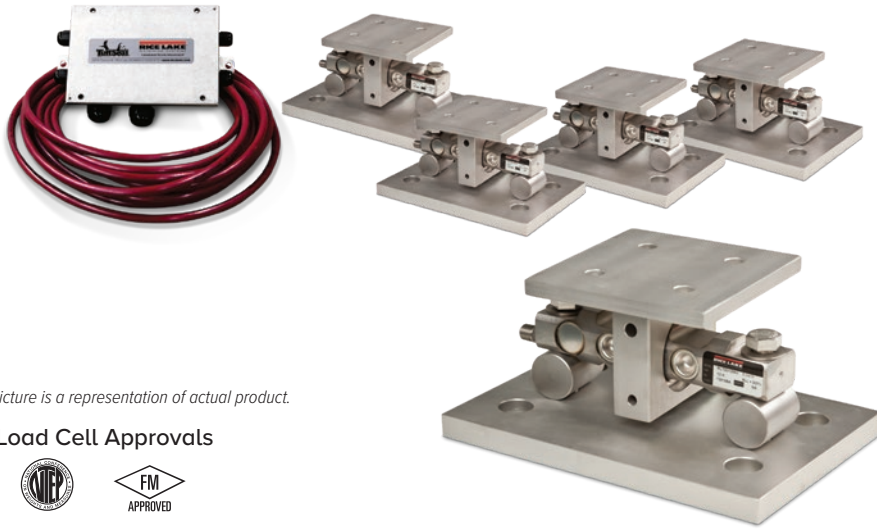
Applications

- Medium- to heavy -capacity tank and fertilizer hopper weighing applications

WEIGH MODULES

EZ Mount 1 HE

Stainless Steel, Weigh Module Kit



Picture is a representation of actual product.

Load Cell Approvals



Order Information

Load Rating (Per Module)	Part #	Price
3-Module Kit		
5,000 lb*	46695	\$6,235.00
10,000 lb	46696	\$6,235.00
20,000 lb	46697	\$6,235.00
30,000 lb	46698	\$12,375.00
40,000 lb	46699	\$12,375.00
50,000 lb	46700	\$12,375.00
60,000 lb	46701	\$12,375.00
4-Module Kit		
5,000 lb*	46702	\$8,390.00
10,000 lb	46703	\$8,390.00
20,000 lb	46704	\$8,390.00
30,000 lb	46705	\$16,175.00
40,000 lb	46706	\$16,175.00
50,000 lb	46707	\$16,175.00
60,000 lb	46708	\$16,175.00
Dummy Load Cells (Mild Steel)		
5,000 to 20,000 lb	33749	\$90.00
30,000 to 60,000 lb	74016	\$122.00
Grounding Kit		
5,000 to 60,000 lb	126419	\$23.00

Includes ground strap and mounting hardware
*Non-NTEP

Dimensions

Rated Capacity	C	C1	H	H1	H2	L	L1	L2	L3	L4	T	W	W1	W2	W3
lb/in															
5,000 to 20,000	0.56	1.06	5.31	0.75	0.50	11.00	8.00	3.00	6.00	6.87	5/8-18 UNF	7.50	4.00	3.00	6.00
30,000 to 60,000	0.68	1.19	8.43	1.00	0.75	15.00	11.50	5.12	8.00	8.50	1-14 UNS	10.00	6.00	5.12	8.00

NOTES: Mounting bolts (T) may project on lower side of base plate. Foundation plate not included

Shims

	Part #	Price
5,000 to 20,000 lb, Stainless Steel		
0.0625 in	150886	\$12.00
0.125 in	150888	\$18.00
0.250 in	150889	\$29.00
30,000 to 60,000 lb, Stainless Steel		
0.0625 in	150890	\$19.00
0.125 in	150891	\$30.00
0.250 in	150892	\$64.00
5,000 to 20,000 lb, Mild Steel		
0.0625 in	150874	\$5.00
0.125 in	150876	\$6.00
0.250 in	150877	\$8.00
30,000 to 60,000 lb, Mild Steel		
0.0625 in	150878	\$6.00
0.125 in	150880	\$9.00
0.250 in	150881	\$11.00

Complete Kit Includes

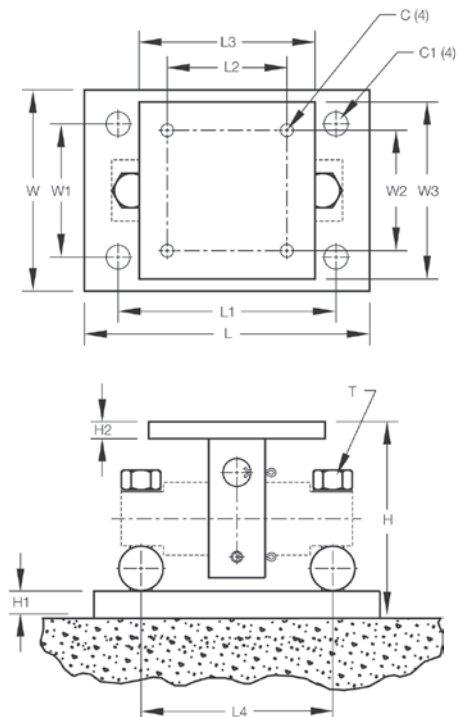
- Three or four EZ Mount 1 stainless steel compression mounts with RL72019SS welded-seal stainless steel double-ended shear beam load cells
- One JB4SS NEMA Type 4X stainless steel signal trim junction box
- 25 ft of hostile environment EL147HE SURVIVOR® load cell cable

Standard Features

- Capacities (per module): 5,000 to 60,000 lb
- NTEP Certified (except 5,000 lb module)
- Stainless steel construction
- Unique sliding pin design compensates for thermal expansion/contraction
- Self-checking
- Easy load cell replacement
- Simplified design allows bolting directly to tank and floor
- Double-ended beam design, center-loaded
- Low-profile design

Applications

- Medium- to heavy-capacity tank and hopper weighing applications



WEIGH MODULES

RL1600 Series with RL77032

Cast Iron, Weigh Module Kit



Complete Kit Includes

- Three or four RL1600 cast iron compression mounts with RL77032 environmentally protected double-ended shear beam load cells
- One JB4SS NEMA Type 4X stainless steel signal trim junction box
- 25 ft of hostile environment EL147HE SURVIVOR® load cell cable

Standard Features

- Capacities (per module): 1,000 to 25,000 lb
- Cast iron construction
- Self-checking, easy-to-use design allows module to be bolted directly to tank leg without requiring additional mounting plates or load buttons
- Double-ended beam design, center loaded
- Compatible with VPG® Sensortronics® 65016 load cells, capacities (per module): 1,000 to 25,000 lb

Applications

- Medium- to heavy-capacity tanks, bins and hoppers
- Bulk material management

Picture is a representation of actual product.

Order Information

Load Rating (Per Module)	Part #	Price
Single Module (Does NOT Include Load Cell)		
1,000 to 5,000 lb	17964	\$185.00
10,000 to 25,000 lb	17965	\$357.00
3-Module Kit		
1,000 lb	228436	\$2,285.00
1,500 lb	228439	\$2,285.00
2,000 lb	228441	\$2,285.00
2,500 lb	228444	\$2,285.00
3,000 lb	228446	\$2,285.00
5,000 lb	228448	\$2,285.00
10,000 lb	228450	\$3,000.00
15,000 lb	228452	\$3,000.00
20,000 lb	228454	\$3,000.00
25,000 lb	228456	\$3,000.00
4-Module Kit		
1,000 lb	228438	\$2,925.00
1,500 lb	228440	\$2,925.00
2,000 lb	228442	\$2,925.00
2,500 lb	228445	\$2,925.00
3,000 lb	228447	\$2,925.00
5,000 lb	228449	\$2,925.00
10,000 lb	228451	\$3,875.00
15,000 lb	228453	\$3,875.00
20,000 lb	228455	\$3,875.00
25,000 lb	228457	\$3,875.00

Contact factory for load cell upgrade

Dimensions

Rated Capacity	C	H	H1	H2	L	L1	L2	L3	T	W	W1	W2	W3
1,000 to 5,000 lb/in	0.56	5.00	0.50	0.50	9.31	2.75	4.00	6.25	1/2-13 UNC	5.00	3.75	2.75	4.00
10,000 to 25,000	0.78	7.89	0.75	0.75	12.00	6.00	8.00	7.50	3/4-10 UNC	8.00	6.00	6.00	8.00

VPG Sensortronics 65016

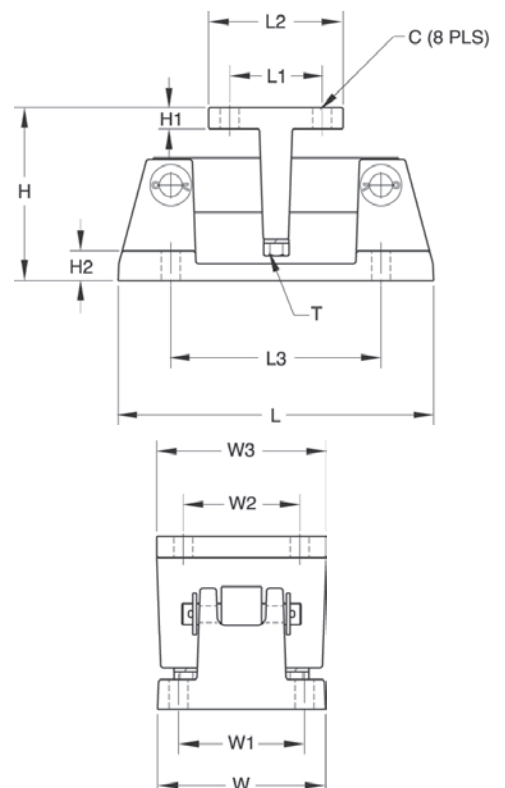
Order Information

Load Rating (Per Module)	Part #	Price
3-Module Kit		
1,000 lb	25685	\$2,685.00
1,500 lb	25686	\$2,685.00
2,500 lb	25688	\$2,685.00
5,000 lb	25690	\$2,685.00
10,000 lb	25691	\$3,400.00
15,000 lb	25692	\$3,400.00
20,000 lb	25693	\$3,400.00
25,000 lb	25694	\$3,400.00
4-Module Kit		
1,000 lb	25695	\$3,485.00
1,500 lb	25696	\$3,485.00
2,500 lb	25698	\$3,485.00
5,000 lb	25700	\$3,485.00
10,000 lb	25701	\$4,465.00
15,000 lb	25702	\$4,465.00
20,000 lb	25703	\$4,465.00
25,000 lb	25704	\$4,465.00
Dummy Load Cells		
1,000 to 5,000 lb	18236	\$26.00
10,000 to 25,000 lb	18237	\$42.00

Contact factory for load cell upgrade

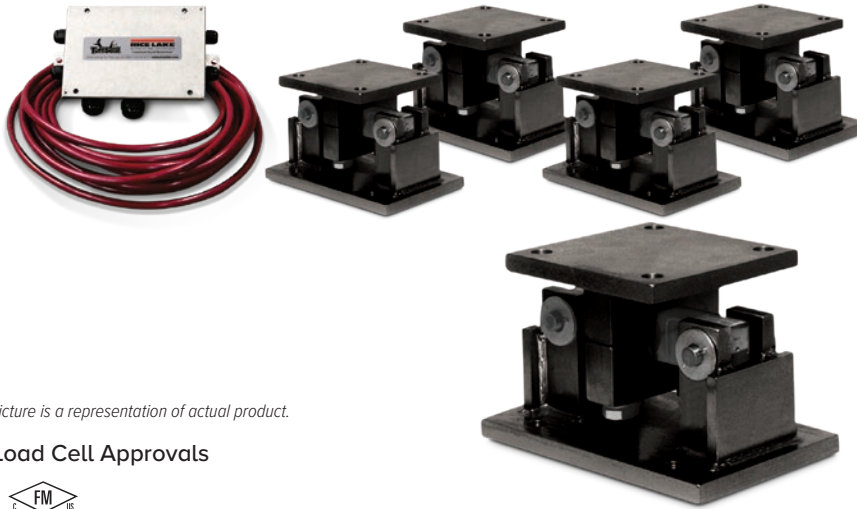
Shims, Mild Steel

	Part #	Price
1,000 to 5,000 lb		
0.0625 in	150844	\$2.00
0.125 in	150845	\$3.00
0.250 in	150846	\$3.00
10,000 to 25,000 lb		
0.0625 in	150847	\$5.00
0.125 in	150848	\$7.50
0.250 in	150849	\$8.00



RL1600 Series with RL77032

Mild Steel, Weigh Module Kit



Picture is a representation of actual product.

Load Cell Approvals



Order Information

Load Rating (Per Module)	Part #	Price
Single Module (Does NOT Include Load Cell)		
1,000 to 5,000 lb	17812	\$185.00
10,000 to 25,000 lb	17814	\$357.00
50,000 lb	17816	\$1,197.00
75,000 lb	25346	\$1,197.00
3-Module Kit		
1,000 lb	225213	\$2,285.00
1,500 lb	225214	\$2,285.00
2,000 lb	225215	\$2,285.00
2,500 lb	225216	\$2,285.00
3,000 lb	225217	\$2,285.00
5,000 lb	225218	\$2,285.00
10,000 lb	225219	\$3,000.00
15,000 lb	225220	\$3,000.00
20,000 lb	225221	\$3,000.00
25,000 lb	225222	\$3,000.00
50,000 lb	225223	\$6,305.00
75,000 lb	225224	\$6,305.00
4-Module Kit		
1,000 lb	225226	\$2,925.00
1,500 lb	225227	\$2,925.00
2,000 lb	225229	\$2,925.00
2,500 lb	225231	\$2,925.00
3,000 lb	225232	\$2,925.00
5,000 lb	225233	\$2,925.00
10,000 lb	225234	\$3,875.00
15,000 lb	225235	\$3,875.00
20,000 lb	225236	\$3,875.00
25,000 lb	225237	\$3,875.00
50,000 lb	225238	\$8,425.00
75,000 lb	225239	\$8,425.00

Dimensions

Rated Capacity	C	H	H1	H2	L	L1	L2	L3	T	W	W1	W2	W3
lb/in													
1,000 to 5,000	0.56	5.00	0.50	0.50	9.25	2.75	4.00	6.25	1/2-13 UNC	5.00	3.75	2.75	4.00
10,000 to 25,000	0.78	7.87	0.75	0.75	12.00	6.00	8.00	7.50	3/4-10 UNC	8.00	6.00	6.00	8.00
50,000 to 75,000	0.78	9.25	1.00	1.00	16.25	6.50	9.00	11.50	1 1/4-7 UNC	12.00	9.50	6.50	9.00

VPG Scentroidics 65016 Order Information

Load Rating (Per Module)	Part #	Price
3-Module Kit		
1,000 lb	18189	\$2,685.00
1,500 lb	18190	\$2,685.00
2,500 lb	18192	\$2,685.00
5,000 lb	18194	\$2,685.00
10,000 lb	18195	\$3,400.00
15,000 lb	18196	\$3,400.00
20,000 lb	18197	\$3,400.00
25,000 lb	18198	\$3,400.00
50,000 lb	18199	\$6,800.00
75,000 lb	25350	\$6,800.00
4-Module Kit		
1,000 lb	18201	\$3,485.00
1,500 lb	18202	\$3,485.00
2,500 lb	18204	\$3,485.00
5,000 lb	18206	\$3,485.00
10,000 lb	18207	\$4,465.00
15,000 lb	18208	\$4,465.00
20,000 lb	18209	\$4,465.00
25,000 lb	18210	\$4,465.00
50,000 lb	18211	\$8,920.00
75,000 lb	25351	\$8,920.00
Dummy Load Cells		
1,000 to 5,000 lb	18236	\$26.00
10,000 to 25,000 lb	18237	\$42.00
50,000 lb	18238	\$56.00

Complete Kit Includes

- Three or four RL1600 mild steel compression mounts with RL77032 environmentally protected double-ended shear beam load cells
- One JB4SS NEMA Type 4X stainless steel signal trim junction box
- 25 ft of hostile environment EL147HE SURVIVOR® load cell cable

Standard Features

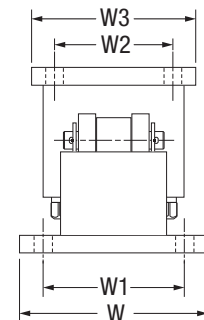
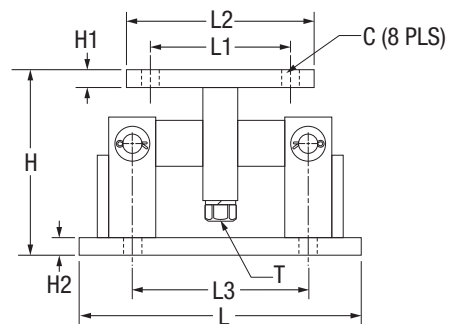
- Capacities (per module): 1,000 to 75,000 lb
- Coated mild steel construction
- Self-checking, easy-to-use design allows module to be bolted directly to tank leg without requiring additional mounting plates or load buttons
- Double-ended shear beam design, center loaded
- Compatible with VPG® Scentroidics® 65016 load cells

Applications

- Medium- to heavy-capacity tanks, bins and hoppers
- Bulk material management

Shims, Mild Steel

	Part #	Price
1,000 to 5,000 lb		
0.0625 in	150844	\$2.00
0.125 in	150845	\$3.00
0.250 in	150846	\$3.00
10,000 to 25,000 lb		
0.0625 in	150847	\$5.00
0.125 in	150848	\$7.50
0.250 in	150849	\$8.00
50,000 to 75,000 lb		
0.0625 in	150850	\$7.00
0.125 in	150851	\$9.00
0.250 in	150866	\$7.50



WEIGH MODULES

RL1600 Series with RL75016SS

Stainless Steel, Weigh Module Kit

Limited Stock Available



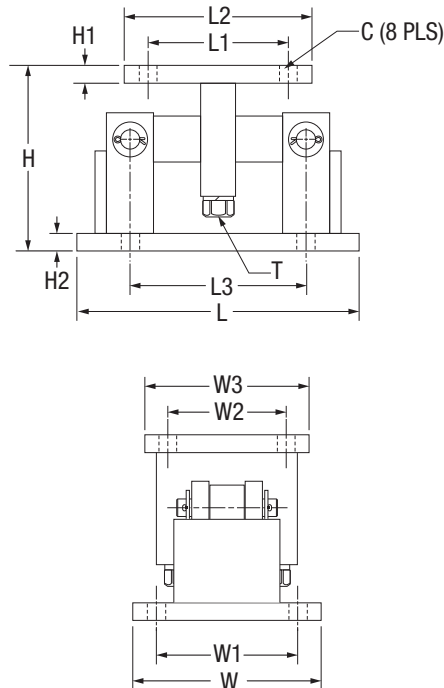
Picture is a representation of actual product.

Load Cell Approvals



VPG Sensortronics 65016W Order Information

Load Rating (Per Module)	Part #	Price
3-Module Kit		
1,000 lb	18213	\$4,090.00
1,500 lb	18214	\$4,090.00
2,500 lb	18216	\$4,090.00
5,000 lb	18217	\$4,090.00
10,000 lb	18218	\$6,280.00
15,000 lb	18219	\$6,280.00
20,000 lb	18220	\$6,280.00
25,000 lb	18221	\$6,280.00
50,000 lb	18222	\$13,815.00
75,000 lb	25354	\$13,815.00
4-Module Kit		
1,000 lb	18224	\$5,375.00
1,500 lb	18225	\$5,375.00
2,500 lb	18227	\$5,375.00
5,000 lb	18228	\$5,375.00
10,000 lb	18229	\$8,290.00
15,000 lb	18230	\$8,290.00
20,000 lb	18231	\$8,290.00
25,000 lb	18232	\$8,290.00
50,000 lb	18233	\$18,225.00
75,000 lb	25355	\$18,225.00
Dummy Load Cells (Mild Steel)		
1,000 to 5,000 lb	18236	\$26.00
10,000 to 25,000 lb	18237	\$42.00
50,000 lb	18238	\$56.00



Complete Kit Includes

- Three or four RL1600 stainless steel compression mounts with RL75016SS environmentally protected stainless steel double-ended shear beam load cells
- One JB4SS NEMA Type 4X stainless steel signal trim junction box
- 25 ft of hostile environment EL147HE SURVIVOR® load cell cable

Standard Features

- Capacities (per module): 1,000 to 75,000 lb
- Stainless steel construction
- Self-checking, easy-to-use design allows module to be bolted directly to tank leg without requiring additional mounting plates or load buttons
- Double-ended shear beam design, center loaded
- Compatible with VPG® Sensortronics® 65016W SS load cells

Applications

- Medium- to heavy-capacity tanks, bins and hoppers
- Bulk material management

Shims, Stainless

	Part #	Price
1,000 to 5,000 lb		
0.0625 in	150852	\$7.00
0.125 in	150853	\$12.00
0.250 in	150854	\$18.00
10,000 to 25,000 lb		
0.0625 in	150855	\$19.00
0.125 in	150856	\$30.00
0.250 in	150857	\$65.00
50,000 to 75,000 lb		
0.0625 in	150858	\$27.00
0.125 in	150859	\$38.00
0.250 in	150861	\$79.00

WEIGH MODULES

Dimensions

Rated Capacity	C	H	H1	H2	L	L1	L2	L3	T	W	W1	W2	W3
lb/in													
1,000 to 5,000	0.56	5.00	0.50	0.50	9.25	2.75	4.00	6.25	1/2-13 UNC	5.00	3.75	2.75	4.00
10,000 to 25,000	0.78	7.87	0.75	0.75	12.00	6.00	8.00	7.50	3/4-10 UNC	8.00	6.00	6.00	8.00
50,000 to 75,000	0.78	9.25	1.00	1.00	16.25	6.50	9.00	11.50	1 1/4-7 UNC	12.00	9.50	6.50	9.00

RL1600 SS Series with RL77032SS

Stainless Steel, Weigh Module Kit



Picture is a representation of actual product.

Load Cell Approvals



Order Information

Load Rating (Per Module)	Part #	Price
Single Module (Does NOT Include Load Cell)		
1,000 to 5,000 lb	17813	\$685.00
10,000 to 25,000 lb	17815	\$1,345.00
50,000 lb	17842	\$3,185.00
75,000 lb	25347	\$3,185.00
3-Module Kit		
1,000 lb	225333	\$3,820.00
1,500 lb	225334	\$3,820.00
2,000 lb	225335	\$3,820.00
2,500 lb	225336	\$3,820.00
5,000 lb	225337	\$3,820.00
10,000 lb	225338	\$5,830.00
15,000 lb	225340	\$5,830.00
20,000 lb	225341	\$5,830.00
25,000 lb	225342	\$5,830.00
50,000 lb	225343	\$13,255.00
75,000 lb	225344	\$13,255.00
4-Module Kit		
1,000 lb	225347	\$4,988.00
1,500 lb	225349	\$4,988.00
2,000 lb	225350	\$4,988.00
2,500 lb	225351	\$4,988.00
5,000 lb	225352	\$4,988.00
10,000 lb	225353	\$7,959.00
15,000 lb	225354	\$7,959.00
20,000 lb	225355	\$7,959.00
25,000 lb	225356	\$7,959.00
50,000 lb	225357	\$17,895.00
75,000 lb	225358	\$17,895.00

VPG Sensortronics 65016W Order Information

Load Rating (Per Module)	Part #	Price
3-Module Kit		
1,000 lb	18213	\$4,090.00
1,500 lb	18214	\$4,090.00
2,500 lb	18216	\$4,090.00
5,000 lb	18217	\$4,090.00
10,000 lb	18218	\$6,280.00
15,000 lb	18219	\$6,280.00
20,000 lb	18220	\$6,280.00
25,000 lb	18221	\$6,280.00
50,000 lb	18222	\$13,815.00
75,000 lb	25354	\$13,815.00
4-Module Kit		
1,000 lb	18224	\$5,375.00
1,500 lb	18225	\$5,375.00
2,500 lb	18227	\$5,375.00
5,000 lb	18228	\$5,375.00
10,000 lb	18229	\$8,290.00
15,000 lb	18230	\$8,290.00
20,000 lb	18231	\$8,290.00
25,000 lb	18232	\$8,290.00
50,000 lb	18233	\$18,225.00
75,000 lb	25355	\$18,225.00
Dummy Load Cells (Mild Steel)		
1,000 to 5,000 lb	18236	\$26.00
10,000 to 25,000 lb	18237	\$42.00
50,000 lb	18238	\$56.00

Complete Kit Includes

- Three or four RL1600 stainless steel compression mounts with RL77032SS environmentally protected stainless steel double-ended shear beam load cells
- One JB4SS NEMA Type 4X stainless steel signal trim junction box
- 25 ft of hostile environment EL147HE SURVIVOR® load cell cable

Standard Features

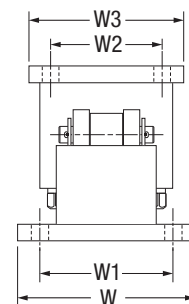
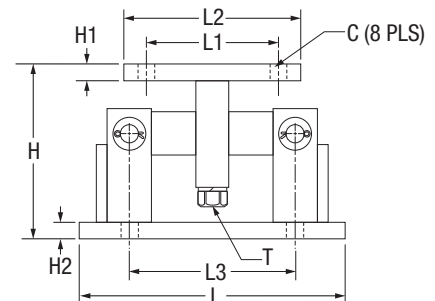
- Capacities (per module): 1,000 to 75,000 lb
- Stainless steel construction
- Self-checking, easy-to-use design allows module to be bolted directly to tank leg without requiring additional mounting plates or load buttons
- Double-ended shear beam design, center loaded
- Compatible with VPG® Sensortronics® 65016W SS load cells

Applications

- Medium- to heavy-capacity tanks, bins and hoppers
- Bulk material management

Shims, Stainless

	Part #	Price
1,000 to 5,000 lb		
0.0625 in	150852	\$7.00
0.125 in	150853	\$12.00
0.250 in	150854	\$18.00
10,000 to 25,000 lb		
0.0625 in	150855	\$19.00
0.125 in	150856	\$30.00
0.250 in	150857	\$65.00
50,000 to 75,000 lb		
0.0625 in	150858	\$27.00
0.125 in	150859	\$38.00
0.250 in	150861	\$79.00



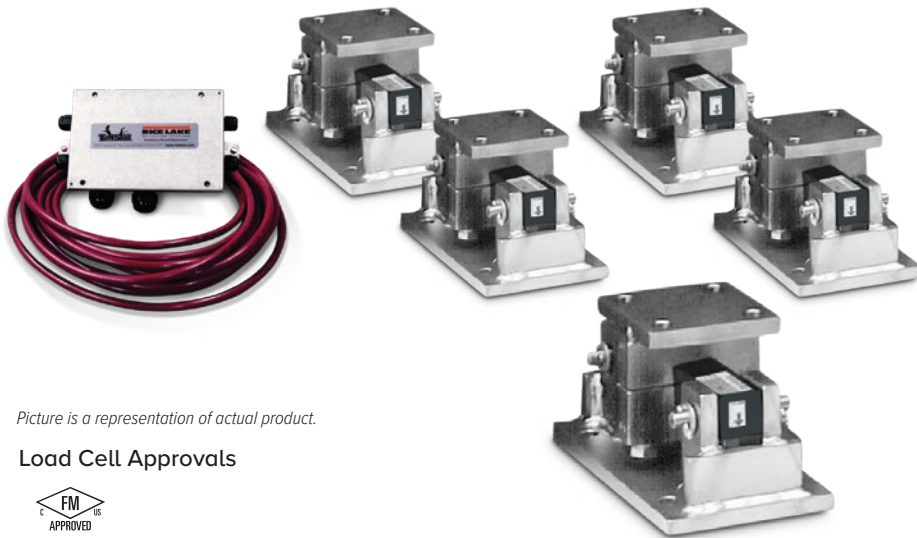
Dimensions

Rated Capacity	C	H	H1	H2	L	L1	L2	L3	T	W	W1	W2	W3
1,000 to 5,000	0.56	5.00	0.50	0.50	9.25	2.75	4.00	6.25	1/2-13 UNC	5.00	3.75	2.75	4.00
10,000 to 25,000	0.78	7.87	0.75	0.75	12.00	6.00	8.00	7.50	3/4-10 UNC	8.00	6.00	6.00	8.00
50,000 to 75,000	0.78	9.25	1.00	1.00	16.25	6.50	9.00	11.50	1 1/4-7 UNC	12.00	9.50	6.50	9.00

WEIGH MODULES

RL1600 Series with MLC Coated RL75016

Stainless Steel, Weigh Module Kit



Picture is a representation of actual product.

Load Cell Approvals



Order Information

Load Rating (Per Module)	Part #	Price
Single Module (Does NOT Include Load Cell)		
1,000 to 5,000 lb	17813	\$685.00
10,000 to 25,000 lb	17815	\$1,345.00
50,000 lb	17842	\$3,185.00
75,000 lb	25347	\$3,185.00
3-Module Kit		
1,000 lb	199023	\$3,820.00
1,500 lb	199025	\$3,820.00
2,000 lb	199027	\$3,820.00
2,500 lb	199029	\$3,820.00
3,000 lb	199031	\$3,820.00
5,000 lb	199033	\$3,820.00
10,000 lb	199035	\$5,830.00
15,000 lb	199037	\$5,830.00
20,000 lb	199038	\$5,830.00
25,000 lb	199040	\$5,830.00
50,000 lb	199042	\$13,255.00
75,000 lb	199044	\$13,255.00
4-Module Kit		
1,000 lb	199024	\$4,985.00
1,500 lb	199026	\$4,985.00
2,000 lb	199028	\$4,985.00
2,500 lb	199030	\$4,985.00
3,000 lb	199032	\$4,985.00
5,000 lb	199034	\$4,985.00
10,000 lb	199036	\$7,955.00
15,000 lb	199056	\$7,955.00
20,000 lb	199039	\$7,955.00
25,000 lb	199041	\$7,955.00
50,000 lb	199043	\$17,895.00
75,000 lb	199045	\$17,895.00

Dimensions

Rated Capacity	C	H	H1	H2	L	L1	L2	L3	T	W	W1	W2	W3
1,000 to 5,000	0.56	5.00	0.50	0.50	9.25	2.75	4.00	6.25	1/2-13 UNC	5.00	3.75	2.75	4.00
10,000 to 25,000	0.78	7.87	0.75	0.75	12.00	6.00	8.00	7.50	3/4-10 UNC	8.00	6.00	6.00	8.00
50,000 to 75,000	0.78	9.25	1.00	1.00	16.25	6.50	9.00	11.50	1 1/4-7 UNC	12.00	9.50	6.50	9.00

Complete Kit Includes

- Three or four RL1600 stainless steel compression mounts with MLC Coated RL75016 alloy steel, environmentally sealed, double ended shear beam load cells
- One JB4SS NEMA Type 4X stainless steel signal trim junction box
- 25 ft of hostile environment EL147HE SURVIVOR® load cell cable

Standard Features

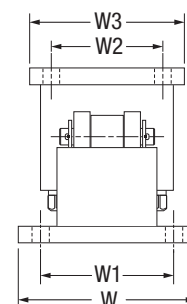
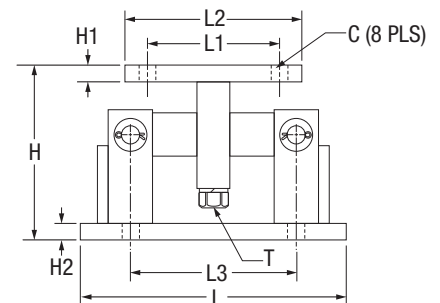
- Capacities (per module): 1,000 to 75,000 lb
- Stainless steel construction (mounts)
- Self-checking, easy-to-use design allows module to be bolted directly to tank leg without requiring additional mounting plates or load buttons
- Double-ended shear beam design, center loaded

Applications

- Medium-to heavy-capacity tanks, bins, and hoppers
- Bulk material management

Shims, Stainless

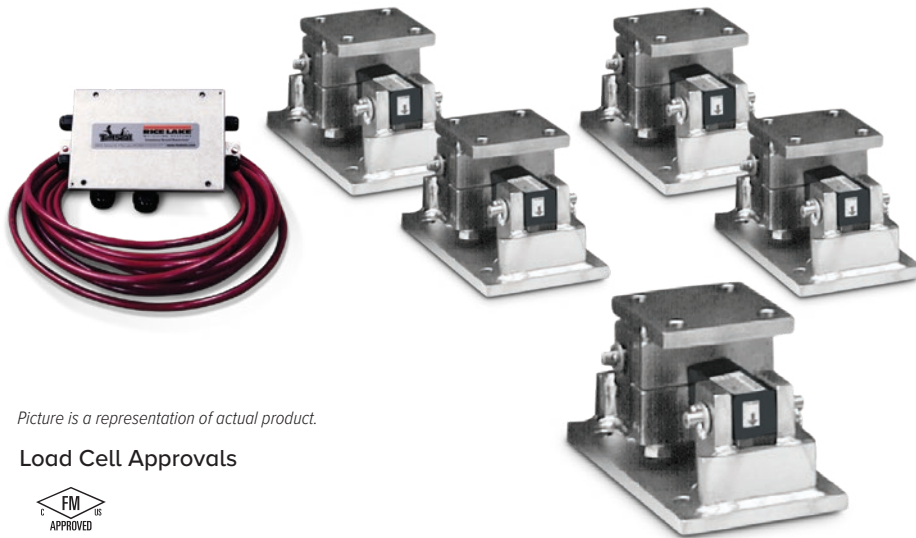
	Part #	Price
1,000 to 5,000 lb		
0.0625 in	150852	\$7.00
0.125 in	150853	\$12.00
0.250 in	150854	\$18.00
10,000 to 25,000 lb		
0.0625 in	150855	\$19.00
0.125 in	150856	\$30.00
0.250 in	150857	\$65.00
50,000 to 75,000 lb		
0.0625 in	150858	\$27.00
0.125 in	150859	\$38.00
0.250 in	150861	\$79.00



WEIGH MODULES

RL1600 HE Series with RL77032SS HE

Stainless Steel, Weigh Module Kit



Picture is a representation of actual product.

Load Cell Approvals



Order Information

Load Rating (Per Module)	Part #	Price
Single Module (Does NOT Include Load Cell)		
1,000 to 5,000 lb	17813	\$685.00
10,000 to 25,000 lb	17815	\$1,345.00
50,000 lb	17842	\$3,185.00
75,000 lb	25347	\$3,185.00
3-Module Kit		
1,000 lb	225359	\$4,500.00
1,500 lb	225360	\$4,500.00
2,000 lb	225361	\$4,500.00
2,500 lb	225362	\$4,500.00
5,000 lb	225363	\$4,500.00
10,000 lb	225364	\$6,725.00
15,000 lb	225365	\$6,725.00
20,000 lb	225366	\$6,725.00
25,000 lb	225367	\$6,725.00
50,000 lb	225368	\$14,180.00
75,000 lb	225369	\$14,180.00
4-Module Kit		
1,000 lb	225370	\$5,865.00
1,500 lb	225371	\$5,865.00
2,000 lb	225372	\$5,865.00
2,500 lb	225373	\$5,865.00
5,000 lb	225374	\$5,865.00
10,000 lb	225375	\$8,800.00
15,000 lb	225376	\$8,800.00
20,000 lb	225377	\$8,800.00
25,000 lb	225378	\$8,800.00
50,000 lb	225379	\$18,815.00
75,000 lb	225380	\$18,815.00
Dummy Load Cell		
1,000 to 5,000 lb	18236	\$26.00
10,000 to 25,000 lb	18237	\$42.00

Dimensions

Rated Capacity	C	H	H1	H2	L	L1	L2	L3	T	W	W1	W2	W3
lb/in													
1,000 to 5,000	0.56	5.00	0.50	0.50	9.25	2.75	4.00	6.25	1/2-13 UNC	5.00	3.75	2.75	4.00
10,000 to 25,000	0.78	7.87	0.75	0.75	12.00	6.00	8.00	7.50	3/4-10 UNC	8.00	6.00	6.00	8.00
50,000 to 75,000	0.78	9.25	1.00	1.00	16.25	6.50	9.00	11.50	1 1/4-7 UNC	12.00	9.50	6.50	9.00

Complete Kit Includes

- Three or four RL1600 HE stainless steel compression mounts with RL77032SS HE stainless steel, hermetically sealed, double-ended shear beam load cells
- One JB4SS NEMA Type 4X stainless steel signal trim junction box
- 25 ft of hostile environment EL147HE SURVIVOR load cell cable

Standard Features

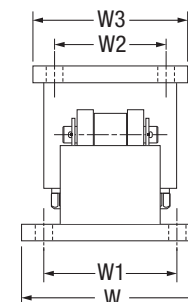
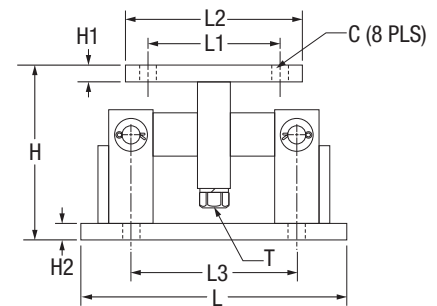
- Stainless steel construction
- Self-checking, easy-to-use design allows module to be bolted directly to tank leg without requiring additional mounting plates or load buttons
- Center loaded

Applications

- Medium-capacity tanks, bins and hoppers
- Bulk material management
- Ingredient batching, mixing and blending

Shims, Stainless

	Part #	Price
1,000 to 5,000 lb		
0.0625 in	150852	\$7.00
0.125 in	150853	\$12.00
0.250 in	150854	\$18.00
10,000 to 25,000 lb		
0.0625 in	150855	\$19.00
0.125 in	150856	\$30.00
0.250 in	150857	\$65.00
50,000 to 75,000 lb		
0.0625 in	150858	\$27.00
0.125 in	150859	\$38.00
0.250 in	150861	\$79.00



WEIGH MODULES

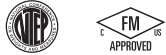
MVS Mount/MVS

Mild Steel, Weigh Module Conversion Kit



Picture is a representation of actual product.

Load Cell Approvals



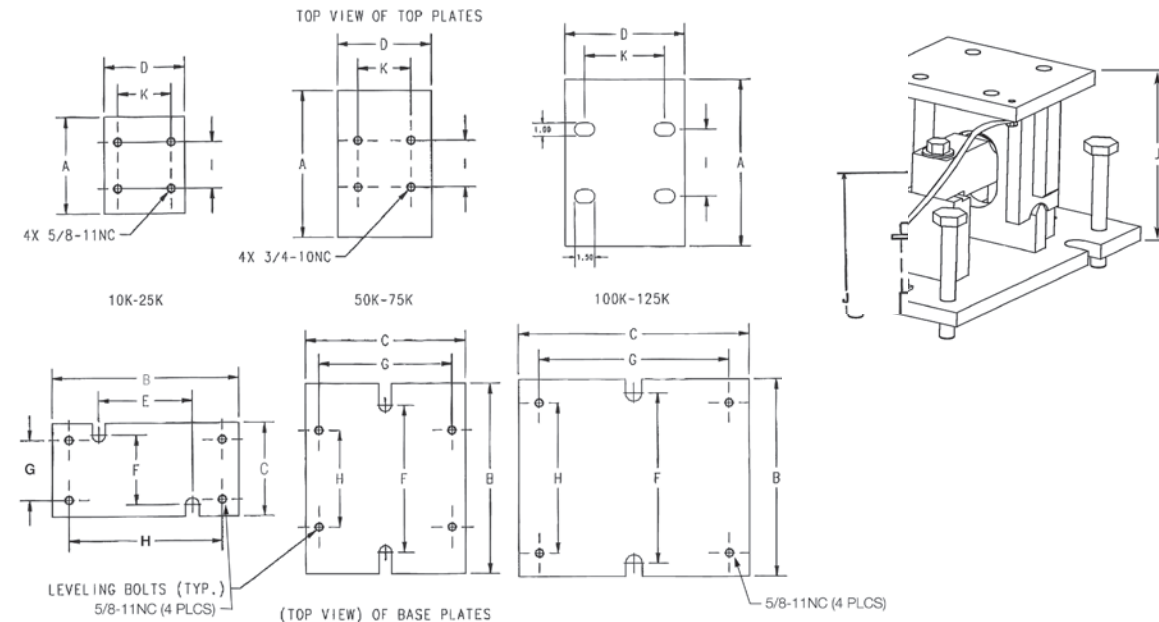
Order Information

Load Rating (Per Module)	Part #	Price
MVS Mount (Does NOT Include Load Cell)		
10,000 to 25,000 lb	71200	\$725.00
50,000 to 75,000 lb	46441	\$865.00
100,000 to 125,000 lb	68520	\$1,475.00
MVS Conversion Kits (Includes 75,000 lb* Load Cells, Mounts and Junction Box)		
4-module kit	68495	\$7,505.00
6-module kit	68496	\$11,050.00
8-module kit	68497	\$15,020.00
10-module kit	68498	\$19,465.00
Dummy Load Cell		
50,000 to 75,000 lb	169388	\$175.00
100,000 to 125,000 lb	159696	\$212.00

Custom heights available; Consult
*Consult for other capacity requirements

Dimensions

Rated Capacity	A	B	C	D	E	F	G	H	I	J	K
lb/in											
10,000 to 25,000	7.25	14.00	7.00	6.00	7.00	5.25	4.50	11.50	3.50	8.50	4.00
50,000 to 75,000	11.00	14.25	12.00	7.00	—	11.00	10.00	7.25	3.50	11.53	4.00
100,000 to 125,000	12.50	14.75	17.25	9.00	—	12.75	14.25	11.25	5.00	14.21	6.00



Complete Kit Includes

- Four to ten MVS mild steel mounts with RL75058-LP 75,000 lb NTEP Certified alloy steel environmentally sealed double-ended beam load cells
- One JB8SPT NEMA 4 Type signal trim junction box (JB1010 on 10 module kit)
- 100 ft of hostile environment EL147HE SURVIVOR® load cell cable

Standard Features

- Capacity (per module): 10,000 to 125,000 lb
- Mild steel construction
- Specially hardened center link
- Self-checking design
- Self-centering design
- Accommodates thermal expansion and contraction
- Compatible with VPG® Sensortronics® 65058 or VPG® Celtron® CLB

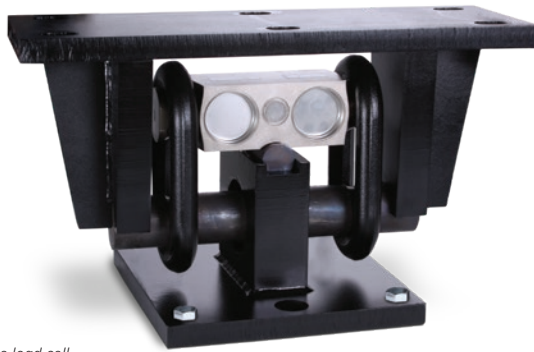
Applications

- Truck scale conversion
- Heavy-capacity horizontal tanks

WEIGH MODULES

Translink™ Parallel Link

Painted Mild Steel, Truck Scale Assembly



Mount only; does not include load cell.
Picture is a representation of actual product.

Standard Features

- Capacities (per module): 25,000 to 100,000 lb
- Painted mild steel construction
- Center-supported, end-loaded double-ended shear beam design
- Free movement in all directions in the horizontal plane with virtually no friction
- Links provide optimal loading conditions for the cell
- Self-centering
- Requires no check rods
- Utilizes cells with 3 mV/V output
- Compatible with Rice Lake RL75223 and RL75040, VPG® Revere 5223 and VPG® Scentroidronics® 65040A load cells

Applications

- Truck scale mount
- Heavy-capacity horizontal tanks

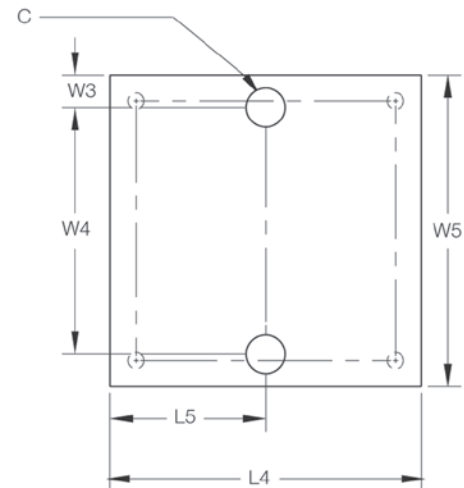
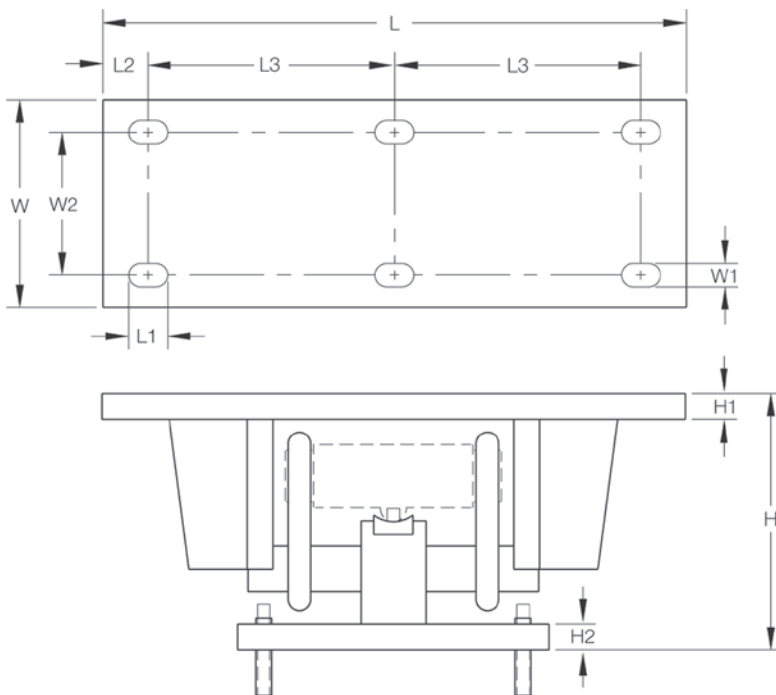
Order Information

Load Rating (Per Module)	Part #	Price
For Use With RL75223, 5223 Load Cells		
50,000 to 100,000 lb	17970	\$885.00
For Use With RL75040, 65040A Load Cells		
25,000 to 40,000 lb	17971	\$885.00
50,000 to 75,000 lb	17972	\$885.00

Mount only; does not include load cell

Dimensions

Rated Capacity	C	H	H1	H2	L	L1	L2	L3	L4	L5	W	W1	W2	W3	W4	W5
lb/in																
50,000 to 100,000 (RL75223, 5223)	1.50	12.93	1.00	1.00	22.50	1.50	1.75	9.50	11.75	5.88	7.75	0.91	5.25	1.25	9.25	11.75
25,000 to 40,000 (RL75040, 65040A)	1.50	9.88	1.00	1.00	18.50	1.50	1.75	7.50	11.75	5.88	7.75	0.91	5.25	1.25	9.25	11.75
50,000 to 75,000 (RL75040, 65040A)	1.50	12.82	1.00	1.00	22.50	1.50	1.75	9.50	11.75	5.88	7.75	0.91	5.25	1.25	9.25	11.75



WEIGH MODULES

Motor Truck Scale

Electronic Weigh Module Conversion Kit



Picture is a representation of actual product.

Load Cell Approvals



Order Information

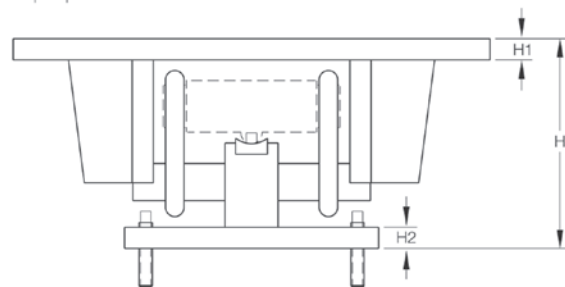
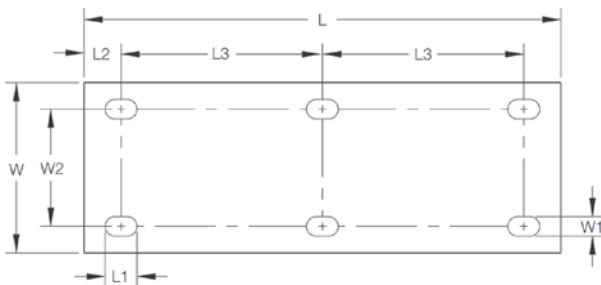
Load Cell Capacity (Per Module)	Part #	Load Cell Used In Kit	Price
4-Module Kit			
25,000 lb	30513	RL75040	\$6,324.00
40,000 lb	30514	RL75040	\$6,854.00
6-Module Kit			
50,000 lb	30515	RL75040	\$10,765.00
60,000 lb	30516	RL75040	\$10,765.00
8-Module Kit			
60,000 lb	30517	RL75040	\$13,899.00
75,000 lb	30518	RL75040	\$13,899.00
100,000 lb	30512	RL75223	\$16,787.00

SD refers to super duty, 100,000 lb capacity welded-seal load cells

Dimensions

Rated Capacity	C	H*	H1	H2	L	L1	L2	L3	L4	L5	W	W1	W2	W3	W4**	W5
50,000 to 100,000 (RL75223)	1.50	12.93	1.00	1.00	22.50	1.50	1.75	9.50	11.75	5.88	7.75	0.91	5.25	1.25	9.25	11.75
25,000 to 40,000 (RL75040)	1.50	9.88	1.00	1.00	18.50	1.50	1.75	7.50	11.75	5.88	7.75	0.91	5.25	1.25	9.25	11.75
50,000 to 75,000 (RL75040)	1.50	12.82	1.00	1.00	22.50	1.50	1.75	9.50	11.75	5.88	7.75	0.91	5.25	1.25	9.25	11.75

*Custom heights available; consult



Complete Kit Includes

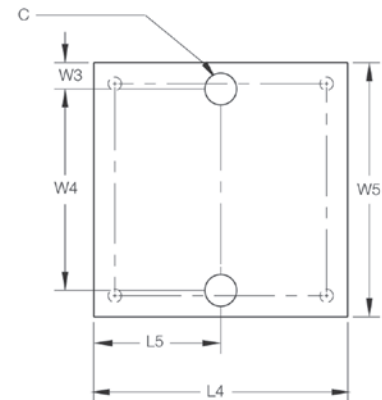
- Four, six or eight Translink™ mounting assemblies with NTEP Certified RL75040 or RL75223 welded-seal load cells
- One JB8SP NEMA Type 4X signal-trim junction box with individual and section trimming capability (six- and eight-mount kits) or one JB4SP NEMA Type 4X signal-trim junction box (four-mount kits)
- One UJB3T6 DC transient protector
- 100 ft of hostile environment EL147HE SURVIVOR® load cell cable

Standard Features

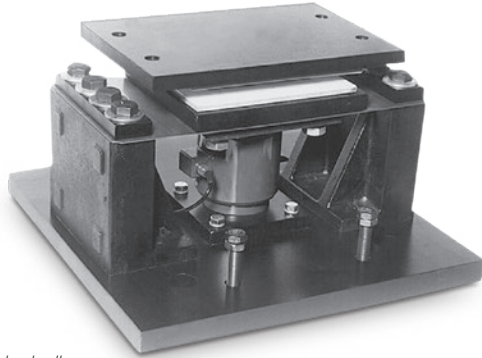
- Capacity (per module): 25,000 to 100,000 lb
- Cost and time efficient installation; no need to remove weighbridge
- Converts existing scale capacities of 40,000 to 300,000 lb
- Four, six or eight-mount kits for two, three or four section conversions
- Translink heavy-capacity mounting assemblies
- Free movement in all directions in the horizontal plane with virtually no friction
- Completely self-centering
- Requires no check rods
- Compatible with VPG® Sensortronics® 65040A or VPG® Revere 5223 load cells

Applications

- Updating existing mechanical motor truck scales
- Replacing unsatisfactory electronic motor truck scales
- Conversion of heavy-capacity scales into fully electronic vehicle scales where the existing scale cannot be removed



Limited Stock Available



Mount only; does not include load cell.
Picture is a representation of actual product.

Standard Features

- Capacities (per module): 50,000 lb, 100,000 lb and 200,000 lb
- Protects load cell from shock and side loads
- Low-profile design
- High-capacity and rugged load-bearing plate made of high-grade carbon steel hardened to Rockwell C 48-54
- PTFE coated shock-absorbing pads
- Compatible with VPG® Revere CP and CSP, and Rice Lake RLCSP1 NTEP Certified load cells

Applications

- Truck scale mount*
 - Heavy-capacity horizontal tanks*
 - Railroad track mount*
- *Check rods required

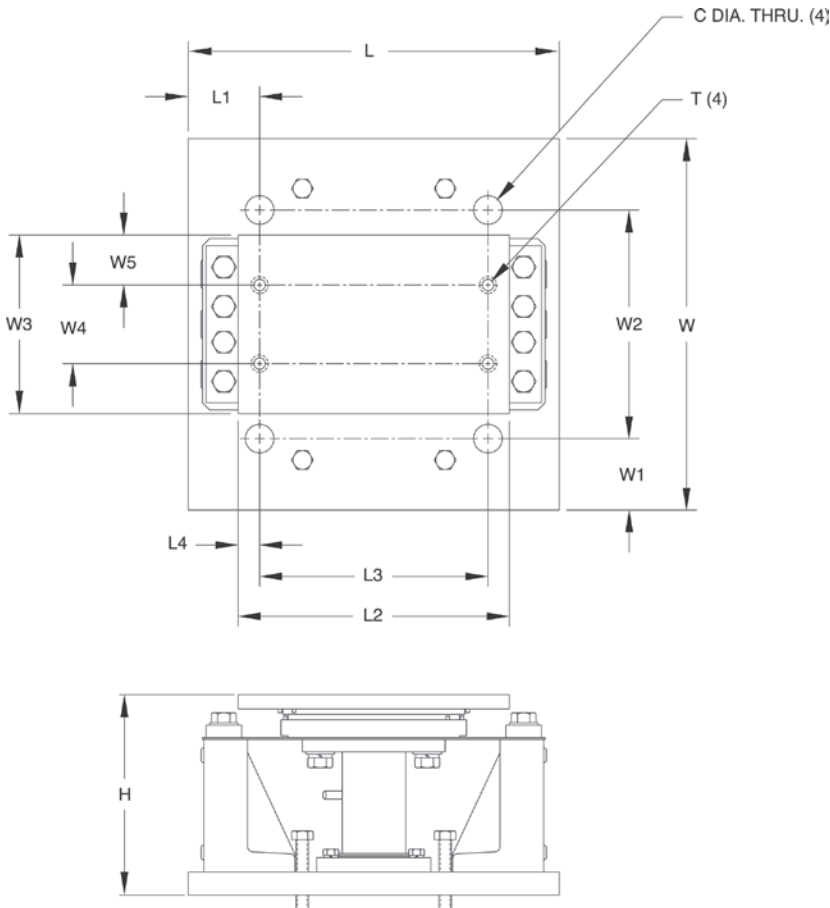
Order Information

Load Rating (Per Module)	Part #	Price
50,000 lb	21723	\$2,225.00
100,000 lb	21724	\$2,650.00
200,000 lb	17974	\$4,595.00

Mount only; does not include load cell

Dimensions

Rated Capacity	C	H	L	L1	L2	L3	L4	T	W	W1	W2	W3	W4	W5
lb/in														
50,000	1.25	7.39	13.00	1.75	11.25	8.50	1.37	3/4-10 UNC	12.00	1.75	8.50	8.00	4.50	1.75
100,000	1.50	11.29	20.00	2.25	18.00	15.50	1.25	7/8-9 UNC	17.00	2.50	12.00	9.00	5.50	1.75
200,000	2.00	14.10	26.00	5.00	19.00	16.00	1.50	1-8 UNC	26.00	5.00	16.00	12.50	5.50	3.50



WEIGH MODULES

Mettler Toledo® DigiTOL® Retrofit Kit

Stainless Steel, Rice Lake Weighing Systems/Flintec

RC1 Load Cells



Shown here with the JB8SP signal trim junction box. Picture is a representation of actual product.

Load Cell Approvals



DigiTOL Retrofit Order information

Description	Part #	Price
8 mount kit, RC1-25 t (250kN) load cells, JB8SP junction box	78713	\$9,485.00
8 mount kit, RC1-25 t (250 kN) load cells, JB8SPT junction box	224897	\$9,895.00
10 mount kit, RC1-25 t (250 kN) load cells, two JB8SP junction boxes	78714	\$11,535.00
10 mount kit RC1-25 t (250 kN) load cells, JB8SPT junction box	224898	\$12,225.00
12 mount kit, RC1-25 t (250kN) load cells, JB8SP junction box	152774	\$14,225.00
12 mount kit RC1-25 t (250 kN) load cells, JB8SPT junction box	224899	\$14,900.00

Complete Kit Includes

- Eight, ten or twelve Flintec® NTEP Certified stainless steel, hermetically sealed rocker column load cells
- Upper and lower cups
- NEMA Type 4X signal trim junction boxes with transient protection
- 100 ft of hostile environment EL147HE SURVIVOR® load cell cable
- Grounding straps (JB8SPT kits only)

Standard Features

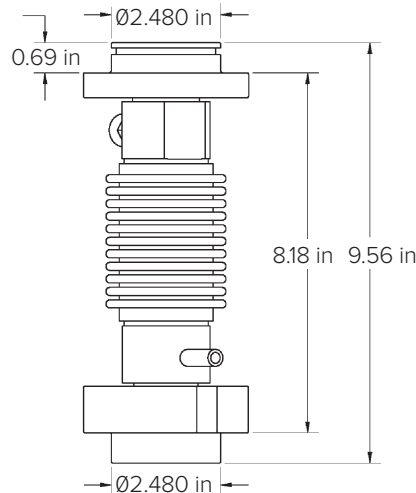
- Load cells are NTEP Certified 1:10,000 divisions, Class III^{*}
- Converts existing Mettler Toledo DigiTOL scale to an analog-based load cell weighing system
- One-year limited warranty

**Consult your local Weights & Measures Authorities for local Legal for Trade requirements*

Applications

- Mettler Toledo DigiTOL truck scale conversion

WEIGH MODULES



RC1-25 t

Mettler Toledo® DigiTOL® Retrofit Kit

Stainless Steel, Rice Lake Weighing Systems/Flintec

RC3 Load Cells



Shown here with the JB8SP signal trim junction box
Picture is a representation of actual product

Load Cell Approvals



DigiTOL Retrofit Order information

Description	Part #	Price
8 mount kit RC3-50 t load cells, two EL304A junction boxes (truck/truck combo)	129844	\$12,995.00
8 mount kit RC3-50 t load cells, two EL304A junction boxes (truck only)	154347	\$12,995.00
8 mount kit RC3-50 t load cells, one JB8SPT junction boxes (truck/truck combo)	224900	\$13,200.00
8 mount kit RC3-50 t load cells, one JB8SPT junction boxes (truck only)	224901	\$13,200.00
10 mount kit RC3-50 t load cells, two JB8SPT junction boxes (truck/truck combo)	111367	\$16,100.00
10 mount kit RC3-50 t load cells, three EL304A junction boxes (truck only)	154348	\$16,100.00
10 mount kit RC3-50 t load cells, two JB8SPT junction boxes (truck/truck combo)	224902	\$16,750.00
10 mount kit RC3-50 t load cells, two JB8SPT junction boxes (truck only)	224903	\$16,750.00
12 mount kit RC3-50 t load cells, three EL304A junction boxes (truck only)	154349	\$19,295.00
12 mount kit RC3-50 t load cells, two JB8SPT junction boxes (truck only)	224904	\$19,900.00

Complete Kit Includes

- Eight, ten or twelve Flintec® NTEP Certified stainless steel, hermetically sealed rocker column load cells
- Upper and lower cups
- NEMA Type 4X signal trim junction boxes with transient protection
- 100 ft of hostile environment EL147HE SURVIVOR® load cell cable
- Grounding straps (JB8SPT kits only)

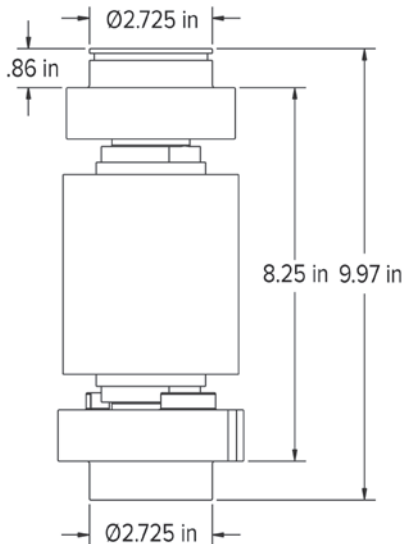
Standard Features

- Load cells are NTEP Certified 1:10,000 divisions, Class III*
- Converts existing Mettler Toledo DigiTOL scale to an analog-based load cell weighing system
- One-year limited warranty

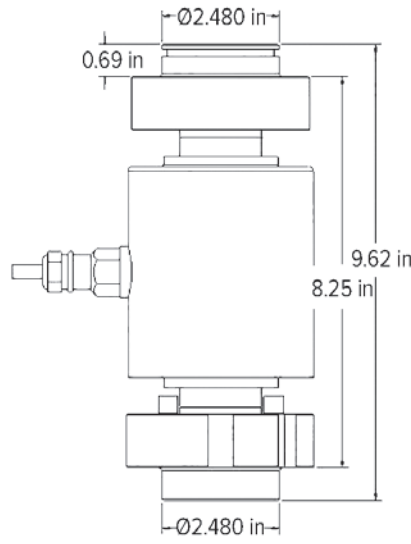
*Consult your local Weights & Measures Authorities for local Legal for Trade requirements

Applications

- Mettler Toledo DigiTOL truck scale conversion



RC3-50 t
TRACK



RC3-50 t
TRUCK

WEIGH MODULES

Rice Lake Analog Retrofit Kit

Stainless Steel, Analog Load Cells for Mettler Toledo PDX Digital Conversion to Analog



RL82025-50t Load Cells



Picture is a representation of actual product.

Load Cell Approvals



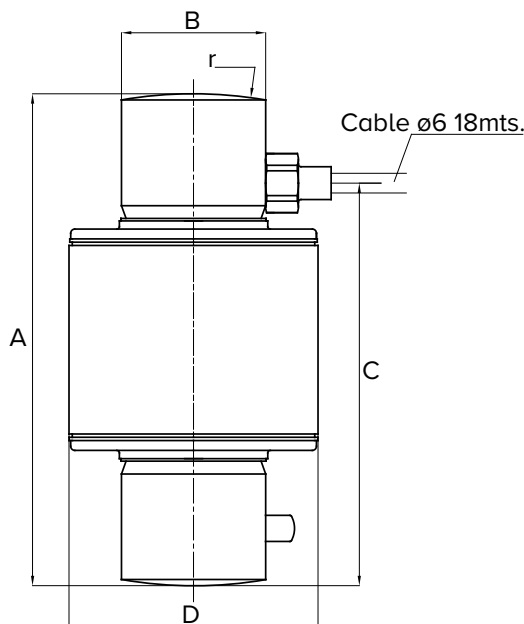
Load Cups

Digital Retrofit Order information

Description	Part #	Price
8 mount kit RL82025-50 t load cells, two JBSPT junction boxes	227964	\$8,455.00
10 mount kit RL82025-50 t load cells, three JBSPT junction boxes	227965	\$11,035.00

Dimensions

Rated Capacity	A	Ø B	C	D	r
t/mm Analog Load Cells					
15	150.0	44.0	123.0	76.0	130.0
20	150.0	44.0	123.0	76.0	130.0
25	150.0	44.0	123.0	76.0	150.0
30	150.0	44.0	123.0	76.0	160.0
40	150.0	44.0	123.0	76.0	180.0
50	150.0	44.0	123.0	76.0	180.0



Complete Kit Includes

- Eight or ten Rice Lake NTEP Certified stainless steel, hermetically sealed, rocker column load cells
- Upper and lower cups
- Grounding straps
- NEMA Type 4X signal trim junction boxes with transient protection
- 100 ft of hostile environment EL147HE SURVIVOR® load cell cable

Standard Features

- Load cells are NTEP Certified 1:10,000 divisions, Class IIII*
- Converts Mettler Toledo PDX digital scales to analog
- Load cells have built-in surge protection and rated to IP69K
- Stainless steel overbraided cable
- Two-year limited warranty

*Consult your local Weights & Measures Authorities for local Legal for Trade requirements

Applications

- Mettler Toledo PDX digital truck scale conversion

WEIGH MODULES

Rice Lake Analog Retrofit Kit

Stainless Steel, Analog Load Cells for B-Tek Digital Conversion to Analog

RL82021-40t Load Cells



Shown here with the EL304A signal trim junction box. Picture is a representation of actual product.

Load Cell Approvals



Complete Kit Includes

- Eight or ten Rice Lake NTEP Certified stainless steel, hermetically sealed, rocker column load cells
- Upper and lower cups
- Grounding straps
- NEMA Type 4X signal trim junction boxes with transient protection
- 100 ft of hostile environment EL147HE SURVIVOR® load cell cable

Standard Features

- Load cells are NTEP Certified 1:10,000 divisions, Class III*
- Converts B-TEK digital CPD-M scales to analog
- Load cells have built-in surge protection and rated to IP69K
- Stainless steel overbraid cable
- Two-year limited warranty

*Consult your local Weights & Measures Authorities for local Legal for Trade requirements

Applications

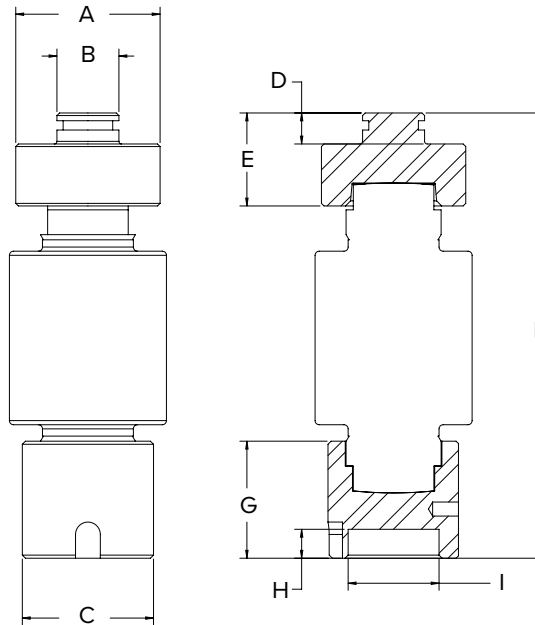
- B-TEK digital truck scale conversion

Digital Retrofit Order information

Description	Part #	Price
8 mount kit RL82021-40 t load cells, two EL304A junction boxes	216423	\$7,795.00
10 mount kit RL82021-40 t load cells, three EL304A junction boxes	216424	\$9,875.00

Dimensions

Analog Load Cells	
A	Ø2.75 in (70 mm)
B	Ø1.18 in (30 mm)
C	Ø2.50 in (64 mm)
D	0.59 in (15 mm)
E	1.77 in (45 mm)
F	8.48 in (215 mm)
G	2.23 in (57 mm)
H	0.55 in (14 mm)
I	Ø1.73 in (44 mm)



WEIGH MODULES

Electronic Floor Scale Underdeck Kits



Underdeck kits are provided to meet the application needs of the electronic floor scale producer and are an easy source for rebuilding existing floor scales. Underdeck kits are provided with mounting plates and load cell bolts for easy installation.

Economical Kit

Kit Includes
(4) VPG® Celtron SQB alloy steel NTEP Certified 5,000 d, Class III load cells
(1) JB4SS stainless steel NEMA Type 4X junction box
(4) SureFoot® high-accuracy stainless steel support feet
20 ft EL147HE load cell cable
(4) mounting plates and (8) load cell bolts

Order Information

Scale Base Capacity	Part #	Price
1,000 lb for 2,000 lb base	26436	\$1,195.00
2,500 lb for 5,000 lb base	26437	\$1,195.00
4,000 lb for 10,000 lb base	26438	\$1,195.00

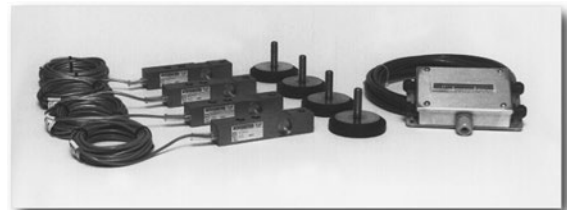
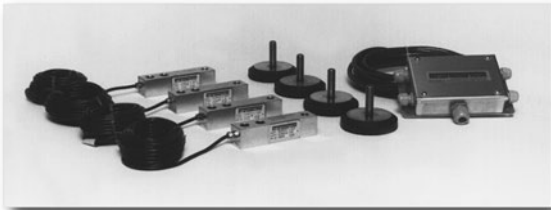
Chemical, Dry Corrosive & Non-Washdown Applications Kit

Kit Includes
(4) VPG® Celtron SQB-HSS stainless steel NTEP Certified 5,000 d, Class III load cells
(1) JB4SS stainless steel NEMA Type 4X junction box
(4) SureFoot® high-accuracy stainless steel support feet
20 ft EL147HE load cell cable
(4) mounting plates and (8) load cell bolts

Order Information

Scale Base Capacity	Part #	Price
1,000 lb for 2,000 lb base	19035	\$1,695.00
2,500 lb for 5,000 lb base	19036	\$1,695.00
4,000 lb for 10,000 lb base	19037	\$1,695.00

WEIGH MODULES



Standard Precision Applications Kit

Kit Includes
(4) Rice Lake RL32018 alloy steel NTEP Certified 5,000 d, Class III load cells
(1) JB4SS stainless steel NEMA Type 4X junction box
(4) SureFoot high-accuracy stainless steel support feet
20 ft EL147HE load cell cable
(4) mounting plates and (8) load cell bolts

NOTES: The use of NTEP Certified load cells in a scale base does not constitute approval of the completed base. Consult with local or state jurisdiction for compliance requirements.

Order Information

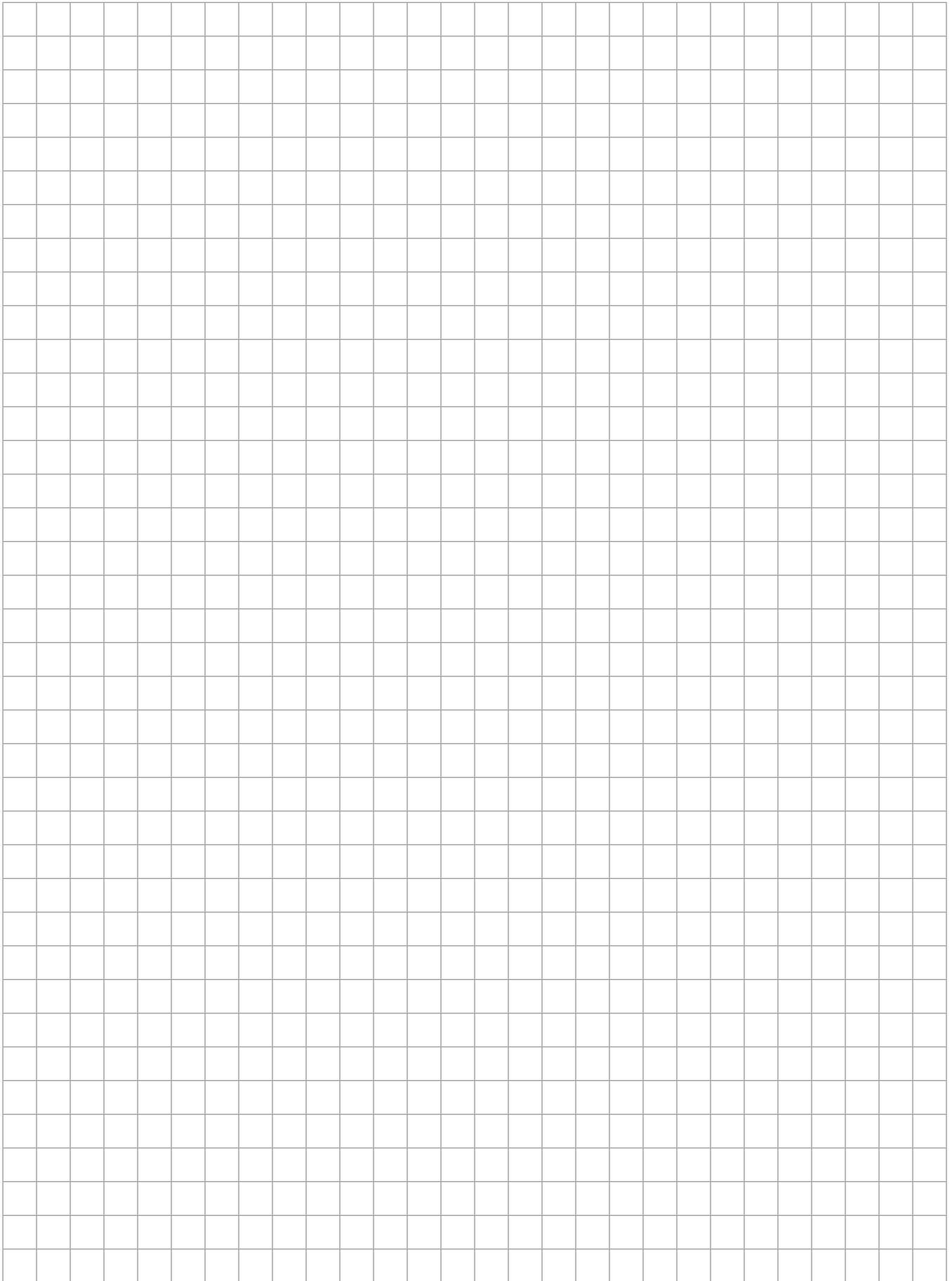
Scale Base Capacity	Part #	Price
1,000 lb for 2,000 lb base	19032	\$1,495.00
2,500 lb for 5,000 lb base	19033	\$1,495.00
4,000 lb for 10,000 lb base	19034	\$1,495.00

Wet Applications Kit

Kit Includes
(4) Rice Lake RL32018S-HE welded-seal stainless steel NTEP Certified 5,000 d, Class III load cells
(1) JB4SS stainless steel NEMA Type 4X junction box
(4) SureFoot® high-accuracy stainless steel support feet
20 ft EL147HE load cell cable
(4) mounting plates and (8) load cell bolts

Order Information

Scale Base Capacity	Part #	Price
1,000 lb for 2,000 lb base	19038	\$1,995.00
2,500 lb for 5,000 lb base	19039	\$1,995.00
4,000 lb for 10,000 lb base	19040	\$1,995.00



WEIGH MODULES

