

# VPG SENSORTRONICS

## TABLE OF CONTENTS

### S-BEAMS

Page 275

**60001, ALLOY STEEL**



Suitable for single- or multiple-cell tension load applications. Nickel-plated, high-alloy steel construction. Complete with 20 ft of load cell cable and full environmental protection with stainless steel side plates. Capacities range from 25 to 20,000 lb. Capacities of 5,000 lb or higher have standardized output for multiple-cell installations.



Page 276

**60050, STAINLESS STEEL**



Suitable for single- or multiple-cell applications. Complete with 20 ft of load cell cable and full environmental protection with stainless steel side plates. Stainless steel construction for added corrosion protection. Capacities range from 250 to 20,000 lb. Capacities of 5,000 lb or higher have standardized output for multiple-cell installations.



Page 277

**60063, STAINLESS STEEL**



Welded-seal, stainless steel, S-beam load cell designed for compression and tension. Ideal for scale conversions and general-purpose weighing. NTEP Certified capacities range from 500 to 5,000 lb; non-NTEP Certified capacity of 10,000 lb.



### SINGLE-ENDED

Page 278

**65023A-5297, ALLOY STEEL**



This model is manufactured from alloy steel and is nickel-plated to provide protection from the elements. Custom featured with mV/V/ohm calibration and 8.5 ft of load cell cable for 1,000 and 2,500 lb capacities, and 10 ft for the 5,000 lb capacity. This model was originally designed for Fairbanks Scales® under part number 65023-XX-5164.



Page 279

**65023A-5107-10, ALLOY STEEL**



The 65023A-5107-10 is a replacement load cell for the previously offered 65023-5141 VPG SENSORTRONICS load cell. This model was previously specific to Pennsylvania Scale and features 10 ft of load cell cable. Available in 1,000 and 2,500 lb capacities.



Page 280

**65023A-5507, ALLOY STEEL**



The 65023A-XX-5507 is a low-profile version of the 65023A-XX-5107 at just 0.75 in high. Available in 1,000 and 2,500 lb capacities.



Page 281

**65023A, ALLOY STEEL**



Designed for low-profile floor scales. Environmentally protected with stainless steel side plates. Nickel-plated alloy steel with a threaded loading hole. Capacities from 250 to 20,000 lb.



# VPG Sensortronics

## SINGLE-ENDED BEAMS

Page 282

### 65023SS, STAINLESS STEEL



Designed for low-profile floor scales. Environmentally protected with stainless steel side plates. Stainless steel and a threaded hole for loading. Available in 250, 500, 15,000 and 20,000 lb capacities.



Page 283

### 65023S, STAINLESS STEEL



Designed for low-profile floor scales. Environmentally protected with stainless steel side plates. Stainless steel construction and a threaded hole for loading. Capacities range from 1,000 to 10,000 lb.



Page 284

### 65083, STAINLESS STEEL



This welded-seal precision load cell offers exceptional performance and reliability in hostile environment applications typical of food and chemical processing. Designed for single- or multiple-cell installations, the 65083 has a threaded load hole for easy adaptation of mounting hardware or leveling feet typical of floor scales. Capacities range from 1,000 to 10,000 lb. Complete with 20 ft of load cell cable.



Page 285

### 65083S, STAINLESS STEEL



This precision load cell offers exceptional performance and reliability in hostile environment applications typical of food and chemical processing. Designed for single- or multiple-cell installations, the 65083S is provided with a threaded load hole for easy adaptation of mounting hardware or leveling feet typical of floor scales. Capacities range from 1,000 to 10,000 lb. Complete with 20 ft of load cell cable.



Page 286

### 60040, ALLOY STEEL



Designed for low-profile, single- or multiple-cell weighing applications. Complete with 20 ft of load cell cable. Nickel-plated, high-alloy steel construction, environmentally protected with a neoprene sleeve. Capacities range from 25 to 500 lb.



## SINGLE POINTS

Page 287

### 60048SS, STAINLESS STEEL



Load cell specifically designed for heavy-duty weighing on a 20 × 20 in. platform. Stainless steel construction specially designed for washdown situations. Complete with 10 ft of load cell cable. 1,000 lb capacity load cell may be used with 30 × 30 in platform. Capacities range from 50 to 1,000 lb.



Page 288

### 60051, STAINLESS STEEL



Designed as a replacement for the NCI® Mark III in hostile environments. Stainless steel, moisture-resistant single point load cell. Complete with 10 ft of load cell cable. Load cells with 10 to 25 lb capacities may be used with a base size of 8 × 8 in. Load cells with 50 to 200 lb capacities may be used with a base size of 12 × 12 in.



Page 289






















### 60060, ALUMINUM



A high-capacity load cell for off-center loading that accurately weighs on a 30 × 30 inch platform. Aluminum clear anodized construction. Capacities range from 100 to 2,000 lb. Complete with 10 ft of load cell cable.



## DOUBLE-ENDED BEAMS

<p>Page 290</p> 	<p><b>65016, ALLOY STEEL</b></p> <p>Nickel-plated and environmentally protected with stainless steel side plates. Designed for center loading compatibility with RL1600 tank weighing assemblies. Capacities range from 1,000 to 75,000 lb. Complete with 25 ft of load cell cable.</p>	
<p>Page 291</p> 	<p><b>65016W, STAINLESS STEEL</b></p> <p>Offered in stainless steel and with a welded seal. Designed for center loading compatibility with RL1600 tank weighing assemblies. Capacities range from 1,000 to 75,000 lb. Complete with 25 ft of load cell cable.</p>	
<p>Page 292</p> 	<p><b>65016WH, STAINLESS STEEL</b></p> <p>Stainless steel, full hermetic version of the popular 65016 series load cells. Capacities range from 1,000 to 25,000 lb. Complete with 25 ft of load cell cable.</p>	
<p>Page 293</p> 	<p><b>65058A, ALLOY STEEL</b></p> <p>Nickel-plated and environmentally protected with stainless steel side plates. Designed for center link loading and compatibility with the MVS or similar suspension systems up to 75,000 lb. NTEP Certified capacities range from 20,000 to 125,000 lb; non-NTEP Certified capacity of 10,000 lb. Complete with 35 ft of load cell cable.</p>	 
<p>Page 294</p> 	<p><b>65058S, STAINLESS STEEL</b></p> <p>The VPG Sensortronics 65058S is a double-ended beam load cell, specifically designed for harsh environment vehicle weighing applications. This stainless steel, welded-seal load cell is an ideal substitute for traditional alloy steel, nickel-plated units where corrosive or washdown conditions exist. This model is compatible with both the MVS and TSA mounts, and is available in capacities ranging from 20,000 to 125,000 lb. Each unit is provided with a standard 35 ft of load cell cable.</p>	 
<p>Page 295</p> 	<p><b>65061A, ALLOY STEEL</b></p> <p>This unique double-ended beam has been a standard model in Fairbanks Scales® truck scales for years. This NTEP Certified, zinc-plated, alloy steel load cell is sealed with a potting compound that has been proven through the test of time in numerous applications. Capacities available in 40,000 and 50,000 lb. Complete with 60 ft of copper over braid load cell cable.</p> <p>This module is available upon request as a stainless steel, welded-seal with a 50,000 capacity.</p>	 
<p>Page 296</p> 	<p><b>65040A, ALLOY STEEL</b></p> <p>Nickel-plated and environmentally protected with stainless steel side plates. Designed for center mounting and double link loading. Capacities range from 25,000 to 125,000 lb. Complete with 35 ft of load cell cable.</p>	 
<p>Page 297</p> 	<p><b>65040S, STAINLESS STEEL</b></p> <p>This model is an upgraded version of the VPG Sensortronics 65040A and is offered in stainless steel with a welded seal. The center-supported, double-ended beam design is compatible with Unilink/Translink™ mounts. Ideal for applications where harsh chemicals and washdown conditions exist. Available in capacities ranging from 25,000 to 75,000 lb, and is provided with 35 ft of load cell cable.</p>	 

## DOUBLE-ENDED BEAMS

Page 298

### 65040A-1127W, ALLOY STEEL



This center-loaded, double-link load cell is made of alloy steel. It is a replacement for the RL75223 or VPG Revere 5223 load cell and is NTEP Certified. It comes with 40 ft of cable and is available in 50,000 and 65,000 lb capacities.



## ROCKER COLUMN

Page 299

### 65114, STAINLESS STEEL



The 65114 was specially designed to provide the superior protection of stainless steel and hermetic sealing for truck scale applications. This model is built to provide a high degree of accuracy while protecting against the severe conditions that truck scale load cells often endure. Available in two different heights, this product can easily be adapted to existing applications.





Picture is a representation of actual product

**Approvals**

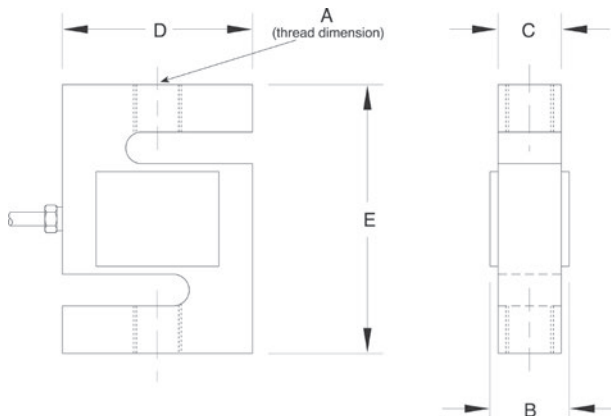


**Order Information**

Load Rating	Part #	Est. Weight	Price
25 lb	61116	2 lb	\$312.00
50 lb	61117	2 lb	\$312.00
100 lb	61118	2 lb	\$312.00
200 lb	61119	2 lb	\$312.00
250 lb	61120	2 lb	\$312.00
300 lb	61121	2 lb	\$312.00
500 lb	61122	2 lb	\$312.00
750 lb	61123	2 lb	\$312.00
1,000 lb	61124	2 lb	\$312.00
1,500 lb	61125	2 lb	\$312.00
2,000 lb	61126	2 lb	\$312.00
2,500 lb	61127	2 lb	\$355.00
3,000 lb	61128	2 lb	\$355.00
5,000 lb	61129	4 lb	\$503.00
10,000 lb	61130	5 lb	\$503.00
15,000 lb	61131	7 lb	\$609.00
20,000 lb	61132	18 lb	\$949.00

**Dimensions**

Rated Capacity	A	B	C	D	E
lb/in					
25 to 200	1/4-28 UNF	0.65	0.50	2.00	2.50
250 to 300	3/8-24 UNF	0.75	0.50	2.00	3.00
500 to 2,000	1/2-20 UNF	1.00	0.75	2.00	3.00
2,500 to 3,000	1/2-20 UNF	1.25	1.00	2.00	3.00
5,000	3/4-16 UNF	1.25	1.00	3.00	4.25
10,000	3/4-16 UNF	1.25	1.00	3.50	4.75
15,000	1-14 UNS	1.50	1.25	4.00	5.50
20,000	1 1/4-12 UNF	2.25	2.00	5.00	7.00



**Interchangeable Products**

- RICE LAKE WEIGHING SYSTEMS  
**RL20001I** ..... page 99
- VPG® CELTRON®  
**STC**.....page 188

**Weigh Module Available**

- RICE LAKE WEIGHING SYSTEMS  
**ITCM Isolated Tension Cell Mount**.....page 34

**Specifications**

- Full Scale Output:**  
3.0 mV/V
- Output Resistance:**  
349 to 355 ohm
- Input Resistance:**  
343 to 450 ohm
- Material/Finish:**  
High-alloy steel, nickel plated
- Temperature:**  
Compensated:  
14 °F to 104 °F (-10 °C to 40 °C)  
Operating:  
0 °F to 150 °F (-18 °C to 65 °C)
- Seal Type:**  
Environmentally sealed, IP67
- Safe Overload:**  
150% full scale
- Rated Excitation:**  
5 to 10 V DC (15 V maximum)
- Combined Error:**  
0.03% full scale
- Insulation Resistance:**  
5,000 megohm
- Cable Length:**  
20 ft
- Cable Diameter:**  
0.200 in  
Polyurethane jacket
- Cable Color Code:**  
Red +Excitation  
Black -Excitation  
Green +Signal  
White -Signal
- Warranty:**  
One-year limited
- Approvals:**  
NTEP  
cFMus

VPG®  
SENSORTRONICS®



Picture is a representation of actual product

### Approvals

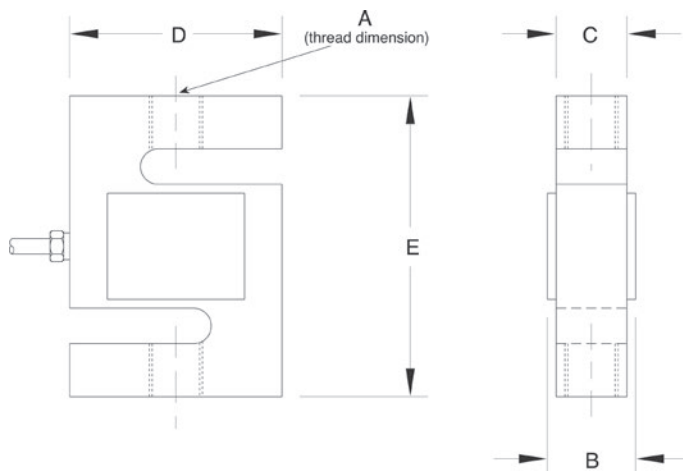


### Order Information

Load Rating	Part #	Est. Weight	Price
250 lb	17077	2 lb	\$344.00
500 lb	17078	3 lb	\$344.00
750 lb	17079	3 lb	\$344.00
1,000 lb	17080	3 lb	\$344.00
1,500 lb	17081	3 lb	\$344.00
2,000 lb	17082	3 lb	\$387.00
2,500 lb	17083	3 lb	\$387.00
3,000 lb	17084	3 lb	\$387.00
5,000 lb	17085	4 lb	\$583.00
10,000 lb	17086	5 lb	\$583.00
15,000 lb	17087	8 lb	\$689.00
20,000 lb	17088	16 lb	\$1,033.00

### Dimensions

Rated Capacity	A	B	C	D	E
lb/in					
250	3/8-24 UNF	0.75	0.50	2.00	3.00
500 to 1,500	1/2-20 UNF	1.00	0.75	2.00	3.00
2,000 to 3,000	1/2-20 UNF	1.25	1.00	2.00	3.00
5,000	3/4-16 UNF	1.25	1.00	3.00	4.25
10,000	3/4-16 UNF	1.25	1.00	3.50	4.75
15,000	1-14 UNS	1.50	1.25	4.00	5.50
20,000	1 1/4-12 UNF	2.00	1.94	5.00	7.00



### Interchangeable Products

VPG® CELTRON®  
STC SS.....page 189

### Weigh Module Available

RICE LAKE WEIGHING SYSTEMS  
ITCM Isolated Tension  
Cell Mount.....page 34

### Specifications

- Full Scale Output:**  
3.0 mV/V
- Output Resistance:**  
349 to 355 ohm
- Input Resistance:**  
343 to 450 ohm
- Material/Finish:**  
Stainless steel
- Temperature:**  
Operating:  
0 °F to 150 °F (-18 °C to 65 °C)
- Seal Type:**  
Environmentally sealed, IP67
- Safe Overload:**  
150% full scale
- Rated Excitation:**  
5 to 10 VDC (15 V maximum)
- Nonlinearity:**  
0.03% full scale
- Hysteresis:**  
0.02% full scale
- Insulation Resistance:**  
5,000 megohm
- Cable Length:**  
20 ft
- Cable Diameter:**  
0.200 in  
Polyurethane jacket
- Cable Color Code:**  
Red +Excitation  
Black -Excitation  
Green +Signal  
White -Signal
- Warranty:**  
One-year limited
- Approvals:**  
cFMus



Picture is a representation of actual product

**Approvals**

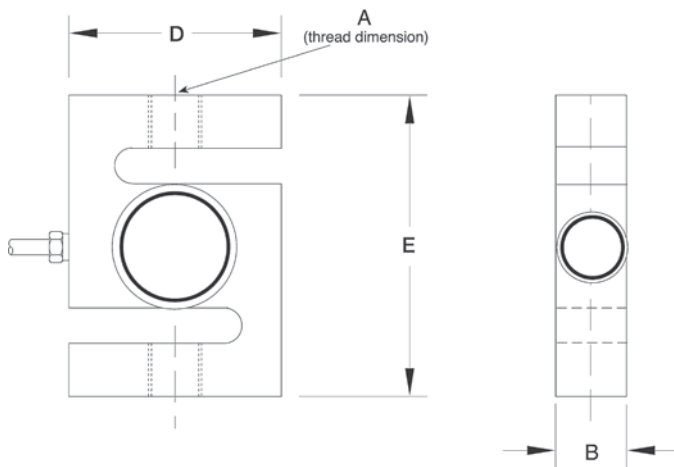


**Order Information**

Load Rating	Part #	Est. Weight	Price
<b>NTEP Certified</b>			
500 lb	36272	3 lb	\$875.00
750 lb	36273	3 lb	\$875.00
1,000 lb	36274	3 lb	\$875.00
1,500 lb	36275	3 lb	\$875.00
2,000 lb	36276	3 lb	\$875.00
2,500 lb	36277	3 lb	\$875.00
3,000 lb	36278	3 lb	\$875.00
5,000 lb	36279	4 lb	\$1,160.00
<b>Non-NTEP Certified</b>			
10,000 lb	36280	4 lb	\$1,160.00

**Dimensions**

Rated Capacity	A	B	D	E
lb/in				
500 to 3,000	1/2-20 UNF	1.00	2.00	3.00
5,000 to 10,000	3/4-16 UNF	1.00	3.50	4.75



**Interchangeable Products**

RICE LAKE WEIGHING SYSTEMS  
RL20001HE.....page 100

**Weigh Module Available**

RICE LAKE WEIGHING SYSTEMS  
ITCM Isolated Tension  
Cell Mount.....page 34

**Specifications**

**Full Scale Output:**

2.0 mV/V

**Output Resistance:**

349 to 355 ohm

**Input Resistance:**

349 to 350 ohm

**Material/Finish:**

Stainless steel

**Temperature:**

Compensated:  
14 °F to 104 °F (-10 °C to 40 °C)

Operating:  
0 °F to 150 °F (-18 °C to 65 °C)

**Seal Type:**

Welded-seal, IP68

**Safe Overload:**

150% full scale

**Rated Excitation:**

5 to 10 V DC (15 V maximum)

**Combined Error:**

0.03% full scale

**Insulation Resistance:**

5,000 megohm

**Cable Length:**

20 ft

**Cable Diameter:**

0.200 in  
Polyurethane jacket

**Cable Color Code:**

Red +Excitation  
Black -Excitation  
Green +Signal  
White -Signal

**Warranty:**

One-year limited

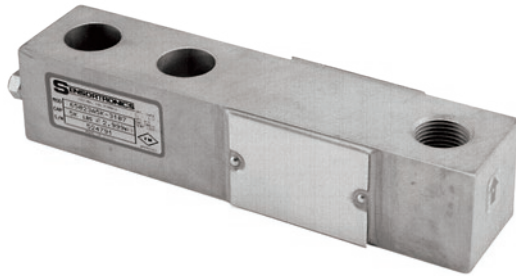
**Approvals:**

NTEP  
cFMus

# 65023A-5297

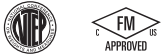
Alloy Steel, Environmentally Sealed, NTEP Certified 1:5,000 Class III Multiple Cell, IP67

SENSORTRONICS®  
V/pc®



Picture is a representation of actual product

### Approvals



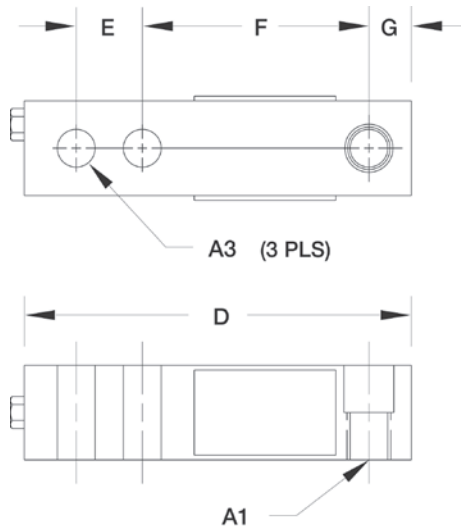
### Order Information

Load Rating	Part #	Est. Weight	Price
1,000 lb	<b>68825</b>	3 lb	\$312.00
2,500 lb	<b>68824</b>	3 lb	\$312.00
5,000 lb LE	<b>156957</b>	5 lb	\$398.00

LE=large envelope

### Dimensions

Rated Capacity	A1	A2	A3	B	C	D	E	F	G
1,000 to 2,500 lb/in	1/2-20 UNF	0.62	0.53	1.25	1.25	5.12	1.00	3.00	0.50
5,000 LE	3/4-16 UNF	0.75	0.78	1.50	1.50	6.75	1.50	3.75	0.75



### Interchangeable Products

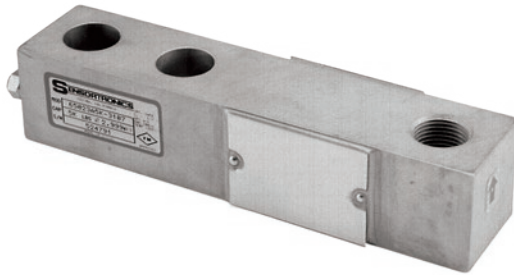
FAIRBANKS®  
**65023A-XX-5164**

### Specifications

- Full Scale Output:**  
3.0 mV/V  
mV/V/ohm calibration
- Output Resistance:**  
349 to 355 ohm
- Input Resistance:**  
343 to 357 ohm
- Material/Finish:**  
High-alloy steel, nickel plated
- Temperature:**  
Compensated:  
14 °F to 104 °F (-10 °C to 40 °C)  
Operating:  
0 °F to 150 °F (-18 °C to 65 °C)
- Seal Type:**  
Environmentally sealed, IP67
- Safe Overload:**  
150% full scale
- Safe Sideload:**  
100% full scale
- Rated Excitation:**  
5 to 10 V
- Combined Error:**  
0.02% full scale
- Insulation Resistance:**  
5,000 megohm
- Deflection at Capacity:**  
1,000 lb: 0.013 in  
2,500 to 5,000 lb: 0.015 in
- Cable Length:**  
1,000 to 2,500 lb: 8.5 ft  
5,000 lb: 10 ft
- Cable Diameter:**  
0.200 in  
Polyurethane jacket
- Cable Color Code:**  
Red +Excitation  
Black -Excitation  
Green +Signal  
White -Signal
- Warranty:**  
One-year limited
- Approvals:**  
NTEP  
cFMus

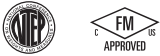
SINGLE-ENDED BEAM  
**65023A-5107-10**

Alloy Steel, Environmentally Sealed, NTEP Certified 1:5,000 Class III Multiple Cell, IP67



Picture is a representation of actual product

Approvals

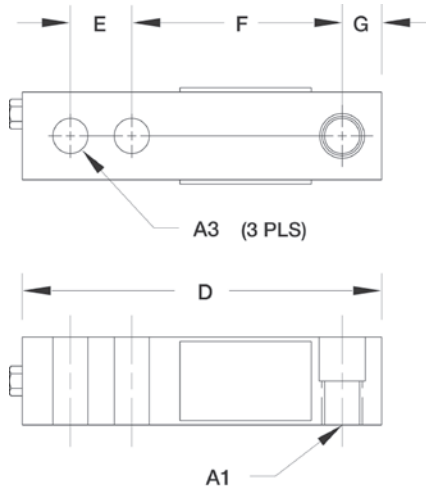


Order Information

Load Rating	Part #	Est. Weight	Price
1,000 lb	<b>68827</b>	3 lb	\$312.00
2,500 lb	<b>68826</b>	3 lb	\$312.00

Dimensions

Rated Capacity	A1	A2	A3	B	C	D	E	F	G
lb/in									
1,000 to 2,500	1/2-20 UNF	0.62	0.53	1.25	1.25	5.12	1.00	3.00	0.50



Interchangeable Products

PENNSYLVANIA®  
**65023A-XX-5141**

Specifications

**Full Scale Output:**

3.0 mV/V  
 mV/V/ohm calibrated

**Output Resistance:**

349 to 355 ohm

**Input Resistance:**

343 to 357 ohm

**Material/Finish:**

High-alloy steel, nickel plated

**Temperature:**

Compensated:  
 14 °F to 104 °F (-10 °C to 40 °C)  
 Operating:  
 0 °F to 150 °F (-18 °C to 65 °C)

**Seal Type:**

Environmentally sealed, IP67

**Safe Overload:**

150% full scale

**Safe Sideload:**

100% full scale

**Rated Excitation:**

5 to 10 V

**Combined Error:**

0.02% full scale

**Insulation Resistance:**

5,000 megohm

**Deflection at Capacity:**

1,000 lb: 0.013 in  
 2,500 lb: 0.015 in

**Cable Length:**

10 ft

**Cable Diameter:**

0.200 in  
 Polyurethane jacket

**Cable Color Code:**

Red +Excitation  
 Black -Excitation  
 Green +Signal  
 White -Signal

**Warranty:**

One-year limited

**Approvals:**

NTEP  
 cFMus

VPG®  
 SENSORTRONICS®

# 65023A-5507

Alloy Steel, Environmentally Sealed, NTEP Certified 1:5,000 Class III Multiple Cell, IP67



Picture is a representation of actual product

### Approvals

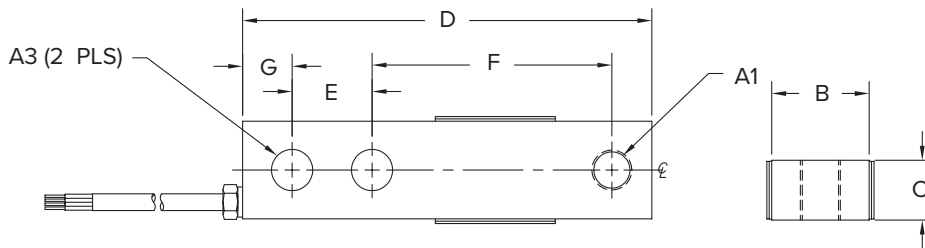


### Order Information

Load Rating	Part #	Est. Weight	Price
1,000 lb	107785	3 lb	\$312.00
2,500 lb	107786	3 lb	\$312.00

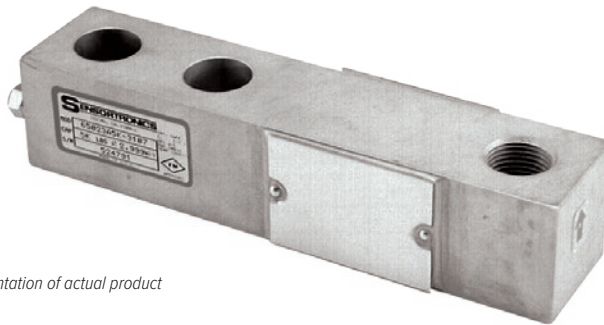
### Dimensions

Rated Capacity	A1	A3	B	C	D	E	F	G
1,000 to 2,500 lb/in	1/2-20 UNF-2B	Ø.516	1.22	0.75	5.12	1.00	3.00	0.62



### Specifications

- Full Scale Output:**  
3.0 mV/V
- Output Resistance:**  
349 to 355 ohm
- Input Resistance:**  
343 to 357 ohm
- Material/Finish:**  
High-alloy steel, nickel plated
- Temperature:**  
Compensated:  
14 °F to 104 °F (-10 °C to 40 °C)  
Operating:  
0 °F to 150 °F (-18 °C to 65 °C)
- Seal Type:**  
Environmentally sealed, IP67
- Safe Overload:**  
150% full scale
- Safe Sideload:**  
100% full scale
- Rated Excitation:**  
5 to 10 V
- Combined Error:**  
0.02% full scale
- Insulation Resistance:**  
5,000 megohm
- Deflection at Capacity:**  
1,000 lb: 0.013 in  
2,500 lb: 0.015 in
- Cable Length:**  
10 ft
- Cable Diameter:**  
0.200 in  
Polyurethane jacket
- Cable Color Code:**  
Red +Excitation  
Black -Excitation  
Green +Signal  
White -Signal
- Warranty:**  
One-year limited
- Approvals:**  
NTEP  
cFMus



Picture is a representation of actual product

**Approvals**



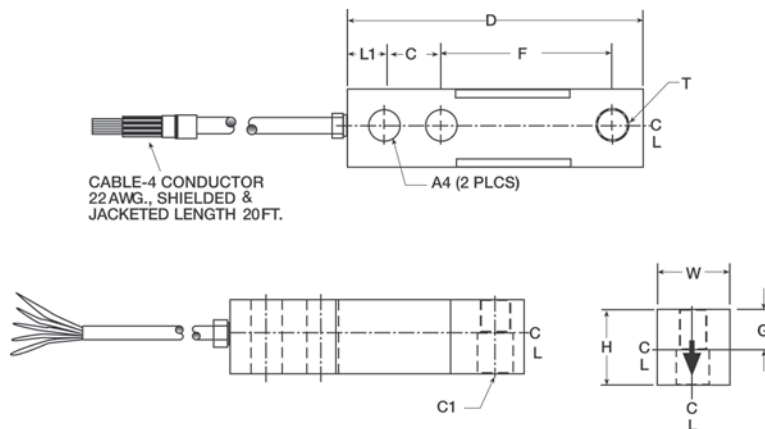
**Order Information**

Load Rating	Part #	Est. Weight	Price
<b>NTEP Certified</b>			
1,000 lb	21507	3 lb	\$312.00
1,500 lb	69832	3 lb	\$312.00
2,000 lb	21508	3 lb	\$312.00
2,500 lb	21509	3 lb	\$312.00
3,000 lb	21510	3 lb	\$312.00
4,000 lb	21511	3 lb	\$312.00
5,000 lb SE	102884	3 lb	\$312.00
5,000 lb LE	21512	5 lb	\$398.00
10,000 lb	21513	5 lb	\$398.00
<b>Non-NTEP Certified</b>			
250 lb	176426	3 lb	\$312.00
500 lb	17125	3 lb	\$312.00
15,000 lb	17155	9 lb	\$689.00
20,000 lb	17159	10 lb	\$689.00
<b>NTEP Certified 50 ft Cable</b>			
5,000 lb SE	196716	3 lb	\$360.00

SE=small envelope; LE=large envelope

**Dimensions**

Rated Capacity	T	L1	C1	W	H	D	C	F	G
250 to 500	1/2-20 UNF	0.62	0.53	1.25	1.00	5.12	1.00	3.00	0.50
1,000 to 5,000 SE	1/2-20 UNF	0.62	0.53	1.25	1.25	5.12	1.00	3.00	0.62
5,000 LE to 10,000	3/4-16 UNF	0.75	0.78	1.50	1.50	6.75	1.50	3.75	0.75
15,000 to 20,000	1-14 UNS	1.00	1.03	2.00	2.00	8.88	2.00	4.88	1.00



**Interchangeable Products**

VPG® CELTRON®  
**SQB**.....page 191

**Weigh Module Available**

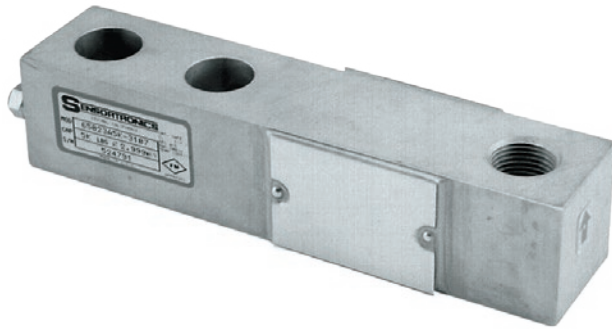
RICE LAKE WEIGHING SYSTEMS  
**RL50210TA**..... page 39  
RICE LAKE WEIGHING SYSTEMS  
**RL1800 Series**..... page 50

**Specifications**

- Full Scale Output:**  
3.0 mV/V
- Output Resistance:**  
349 to 355 ohm
- Input Resistance:**  
343 to 357 ohm
- Material/Finish:**  
High-alloy steel, nickel plated
- Temperature:**  
Compensated:  
14 °F to 104 °F (-10 °C to 40 °C)  
Operating:  
0 °F to 150 °F (-18 °C to 65 °C)
- Seal Type:**  
Environmentally sealed, IP67
- Safe Overload:**  
150% full scale
- Safe Sideload:**  
100% full scale
- Rated Excitation:**  
5 to 10 V
- Nonlinearity:**  
0.03% full scale
- Hysteresis:**  
0.02% full scale
- Insulation Resistance:**  
5,000 megohm
- Deflection at Capacity:**  
250 to 1,500 lb: 0.013 in  
1,000 to 5,000 SE lb: 0.017 to 0.025 in  
5,000 LE to 10,000 lb: 0.025 to 0.035 in  
15,000 to 20,000 lb: 0.048 to 0.063 in
- Cable Length:**  
20 ft
- Cable Diameter:**  
0.200 in  
Polyurethane jacket
- Cable Color Code:**  
Red +Excitation  
Black -Excitation  
Green +Signal  
White -Signal
- Warranty:**  
One-year limited
- Approvals:**  
NTEP  
cFMus

# 65023SS

Stainless Steel, Environmentally Sealed, IP67



Picture is a representation of actual product

### Approvals

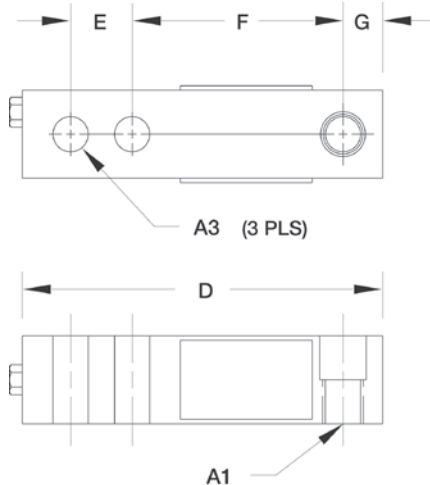


### Order Information

Load Rating	Part #	Est. Weight	Price
<b>Threaded Hole</b>			
250 lb	46499	3 lb	\$387.00
500 lb	17188	3 lb	\$387.00
15,000 lb	17156	9 lb	\$805.00
20,000 lb	17160	9 lb	\$805.00

### Dimensions

Rated Capacity	A1	A2	A3	B	C	D	E	F	G
<b>lb/in</b>									
250 to 500	1/2-20 UNF	0.50	0.53	1.25	1.00	5.12	1.00	3.00	0.50
15,000 to 20,000	1-14 UNS	1.00	1.03	2.00	2.00	8.88	2.00	4.88	1.00

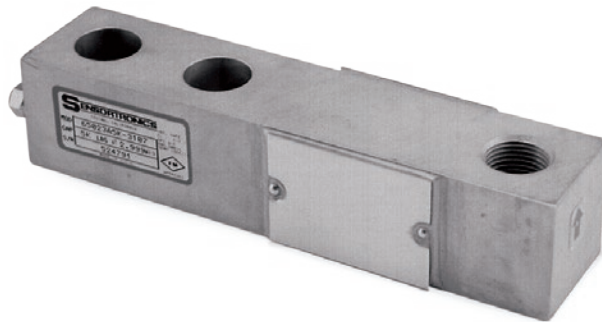


### Weigh Module Available

- RICE LAKE WEIGHING SYSTEMS  
**RL50210TA**..... page 39
- RICE LAKE WEIGHING SYSTEMS  
**RL1800 Series**..... page 50

### Specifications

- Full Scale Output:**  
3.0 mV/V
- Output Resistance:**  
349 to 355 ohm
- Input Resistance:**  
343 to 357 ohm
- Material/Finish:**  
Stainless steel
- Temperature:**  
Operating:  
0 °F to 150 °F (-18 °C to 65 °C)
- Seal Type:**  
Environmentally sealed, IP67
- Safe Overload:**  
150% full scale
- Safe Sideload:**  
100% full scale
- Rated Excitation:**  
5 to 10 VDC (15 V maximum)
- Nonlinearity:**  
0.03% full scale
- Hysteresis:**  
0.02% full scale
- Insulation Resistance:**  
5,000 megohm
- Deflection at Capacity:**  
250 to 500 lb: 0.013 in  
15,000 to 20,000 lb: 0.048 to 0.063 in
- Cable Length:**  
20 ft
- Cable Diameter:**  
0.200 in  
Polyurethane jacket
- Cable Color Code:**  
Red +Excitation  
Black -Excitation  
Green +Signal  
White -Signal
- Warranty:**  
One-year limited
- Approvals:**  
cFMus



Picture is a representation of actual product

### Approvals



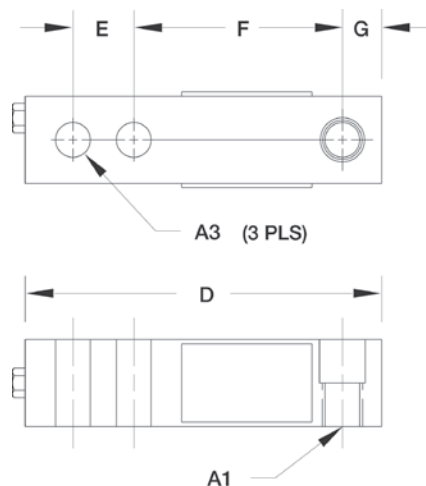
### Order Information

Load Rating	Part #	Est. Weight	Price
<b>Threaded Hole</b>			
1,000 lb	28925	3 lb	\$365.00
2,000 lb	28926	3 lb	\$365.00
2,500 lb	28927	3 lb	\$365.00
2,500 lb*	170030	3 lb	\$365.00
4,000 lb	28929	3 lb	\$365.00
5,000 lb	28930	5 lb	\$455.00
10,000 lb	28931	5 lb	\$455.00

\*65023S 2,500lb- 5513, low-profile 0.75 inches tall

### Dimensions

Rated Capacity	A1	A2	A3	B	C	D	E	F	G
1,000 to 4,000	1/2-20 UNF	0.62	0.53	1.00	1.25	5.12	1.00	3.00	0.50
5,000 to 10,000	3/4-16 UNF	0.75	0.78	1.50	1.50	6.75	1.50	3.75	0.75



### Interchangeable Products

VPG® SENSORTRONICS®  
**65023SS** ..... page 282

### Weigh Module Available

RICE LAKE WEIGHING SYSTEMS  
**RL50210TA**..... page 39  
 RICE LAKE WEIGHING SYSTEMS  
**RL1800 Series**..... page 50

### Specifications

**Full Scale Output:**

3.0 mV/V

**Output Resistance:**

349 to 355 ohm

**Input Resistance:**

343 to 357 ohm

**Material/Finish:**

Stainless steel

**Temperature:**

Compensated:

14 °F to 104 °F (-10 °C to 40 °C)

Operating:

0 °F to 150 °F (-18 °C to 65 °C)

**Seal Type:**

Environmentally sealed, IP67

**Safe Overload:**

150% full scale

**Rated Excitation:**

5 to 10 V DC (15 V maximum)

**Combined Error:**

0.02% full scale

**Insulation Resistance:**

5,000 megohm

**Deflection at Capacity:**

500 to 1,000 lb: 0.013 in

1,500 to 4,000 lb: 0.017 to 0.025 in

5,000 to 10,000 lb: 0.025 to 0.035 in

15,000 to 20,000 lb: 0.048 to 0.063 in

**Cable Length:**

20 ft

**Cable Color Code:**

Red +Excitation

Black -Excitation

Green +Signal

White -Signal

**Warranty:**

One-year limited

**Approvals:**

NTEP

cFMus



Picture is a representation of actual product

### Approvals

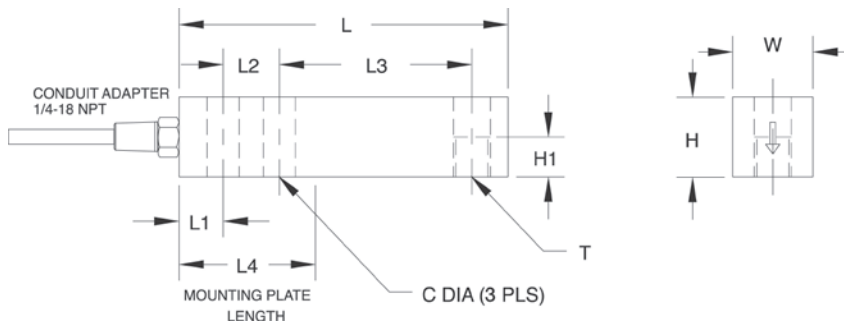


### Order Information

Load Rating	Part #	Est. Weight	Price
1,000 lb	17262	3 lb	\$439.00
2,500 lb	17263	3 lb	\$439.00
4,000 lb	17264	3 lb	\$439.00
5,000 lb	17265	5 lb	\$455.00
10,000 lb	17266	5 lb	\$455.00

### Dimensions

Rated Capacity	C	H	H1	L	L1	L2	L3	L4	T	W
lb/in										
1,000 to 4,000	0.53	1.22	0.61	5.12	0.62	1.00	3.00	2.25	1/2-20 UNF	1.22
5,000 to 10,000	0.78	1.50	0.75	6.75	0.75	1.50	3.75	3.00	3/4-16 UNF	1.50



### Interchangeable Products

VPG® CELTRON®  
SQB-HSS ..... page 192

### Weigh Module Available

RICE LAKE WEIGHING SYSTEMS  
RL50210TA ..... page 39  
RICE LAKE WEIGHING SYSTEMS  
RL1800 Series ..... page 50

### Specifications

- Full Scale Output:**  
3.0 mV/V
- Output Resistance:**  
349 to 355 ohm
- Input Resistance:**  
343 to 357 ohm
- Material/Finish:**  
Stainless steel
- Temperature:**  
Operating:  
0 °F to 150 °F (-18 °C to 65 °C)
- Seal Type:**  
Welded-seal, IP67  
(Conduit is recommended for maximum protection against the ingress of water and moisture through the cable entry.)
- Safe Overload:**  
150% full scale
- Safe Sideload:**  
100% full scale
- Rated Excitation:**  
5 to 10 VDC (15 V maximum)
- Combined Error:**  
0.03% full scale
- Non-repeatability:**  
0.01% full scale
- Insulation Resistance:**  
5,000 megohm
- Deflection at Capacity:**  
1,000 to 4,000 lb: 0.008 to 0.026 in  
5,000 to 10,000 lb: 0.030 to 0.055 in
- Cable Length:**  
20 ft
- Cable Diameter:**  
0.220 in  
PTFE jacket
- Conduit Adapter Size:**  
1/4-18 NPT
- Cable Color Code:**  
Red +Excitation  
Black -Excitation  
Green +Signal  
White -Signal
- Warranty:**  
One-year limited
- Approvals:**  
cFMus

Stainless Steel, Welded Seal, Hermetically Sealed, NTEP Certified 1:5,000 Class III Multiple Cell, IP67/IP69K



Picture is a representation of actual product

IP69K model

### Approvals

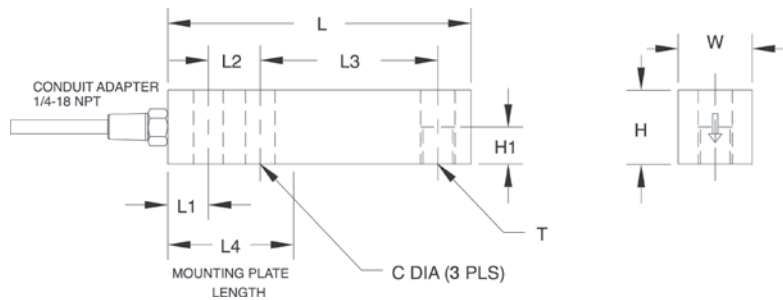


### Order Information

Load Rating	Part #	Est. Weight	Price
<b>Welded Seal IP67</b>			
1,000 lb	33552	3 lb	\$450.00
2,500 lb	33553	3 lb	\$450.00
4,000 lb	33554	3 lb	\$450.00
5,000 lb	33555	5 lb	\$503.00
10,000 lb	33556	5 lb	\$503.00
<b>Hermetically Sealed IP69K</b>			
1,000 lb	33734	3 lb	\$535.00
2,500 lb	33735	3 lb	\$535.00
4,000 lb	33736	16 lb	\$535.00

### Dimensions

Rated Capacity	C	H	H1	L	L1	L2	L3	L4	T	W
lb/in										
1,000 to 4,000	0.53	1.22	0.61	5.12	0.62	1.00	3.00	2.25	1/2-20 UNF	1.22
5,000 to 10,000	0.78	1.50	0.75	6.75	0.75	1.50	3.75	3.00	3/4-16 UNF	1.50



### Weigh Module Available

- RICE LAKE WEIGHING SYSTEMS  
**RL50210TA**..... page 39
- RICE LAKE WEIGHING SYSTEMS  
**RL1800 Series**..... page 50

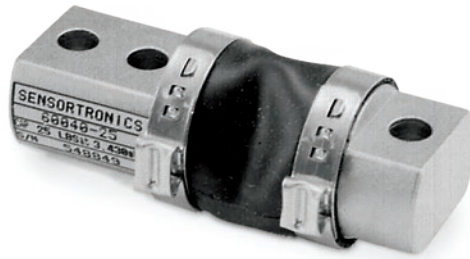
### Specifications

- Full Scale Output:**  
2.0 mV/V
- Output Resistance:**  
349 to 355 ohm
- Input Resistance:**  
343 to 357 ohm
- Material/Finish:**  
Stainless steel
- Temperature:**  
Compensated:  
14 °F to 104 °F (-10 °C to 40 °C)  
Operating:  
0 °F to 150 °F (-18 °C to 65 °C)
- Seal Type:**  
Welded-seal, IP67  
Hermetically sealed, IP69K
- Safe Overload:**  
150% full scale
- Safe Sideload:**  
100% full scale
- Rated Excitation:**  
5 to 10 V DC (15 V maximum)
- Combined Error:**  
0.02% full scale
- Non-repeatability:**  
0.01% full scale
- Insulation Resistance:**  
5,000 megohm
- Deflection at Capacity:**  
1,000 to 4,000 lb: 0.012 in  
5,000 to 10,000 lb: 0.030 in
- Cable Length:**  
20 ft
- Cable Diameter:**  
0.220 in  
PTFE jacket
- Conduit Adapter Size:**  
IP67: 1/4-18 NPT  
IP69K: 1/2-14 NPT
- Cable Color Code:**  
Red +Excitation  
Black -Excitation  
Green +Signal  
White -Signal
- Warranty:**  
One-year limited
- Approvals:**  
NTEP  
cFMus

VPG®  
SENSORTRONICS®

# 60040

Alloy Steel, Environmentally Sealed, IP65



Picture is a representation of actual product

### Approvals

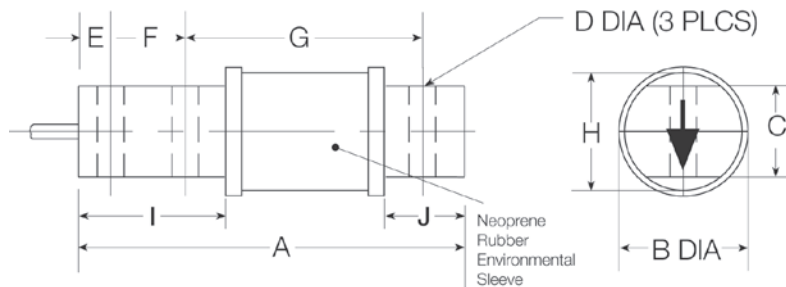


### Order Information

Load Rating	Part #	Est. Weight	Price
25 lb	17369	2 lb	\$270.00
50 lb	17370	2 lb	\$270.00
75 lb	17371	2 lb	\$270.00
100 lb	17372	2 lb	\$270.00
150 lb	17373	2 lb	\$270.00
250 lb	17374	2 lb	\$270.00
500 lb	17375	2 lb	\$270.00

### Dimensions

Rated Capacity	A	B	C	D	E	F	G	H	I	J
lb/in										
25 to 500	2.81	1.30	0.62	0.26	0.25	0.50	1.81	1.00	1.00	0.50



### Interchangeable Products

RICE LAKE WEIGHING SYSTEMS  
**RL50210**..... page 122  
 VPG® REVERE  
**5503**  
 ARTECH®  
**50210**

### Specifications

**Full Scale Output:**

3.0 mV/V

**Output Resistance:**

349 to 355 ohm

**Input Resistance:**

380 to 450 ohm

**Material/Finish:**

High-alloy steel, nickel plated

**Temperature:**

Operating:  
 0 °F to 150 °F (-18 °C to 65 °C)

**Seal Type:**

Environmentally sealed with a neoprene sleeve, IP65

**Safe Overload:**

150% full scale

**Rated Excitation:**

5 to 10 VDC (15 V maximum)

**Nonlinearity:**

0.03% full scale

**Hysteresis:**

0.02% full scale

**Insulation Resistance:**

5,000 megohm

**Deflection at Capacity:**

25 to 50 lb: 0.008 in  
 75 to 100 lb: 0.010 in  
 150 lb: 0.012 in  
 250 lb: 0.016 in  
 500 lb: 0.025 in

**Cable Length:**

20 ft

**Cable Diameter:**

0.200 in  
 Polyurethane jacket

**Cable Color Code:**

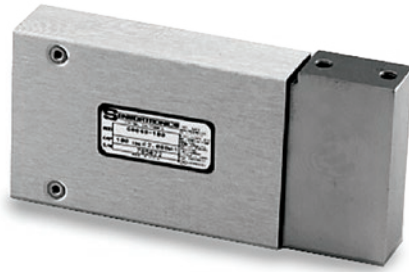
Red +Excitation  
 Black -Excitation  
 Green +Signal  
 White -Signal

**Warranty:**

One-year limited

**Approvals:**

cFMus



Picture is a representation of actual product

**Approvals**



**Order Information**

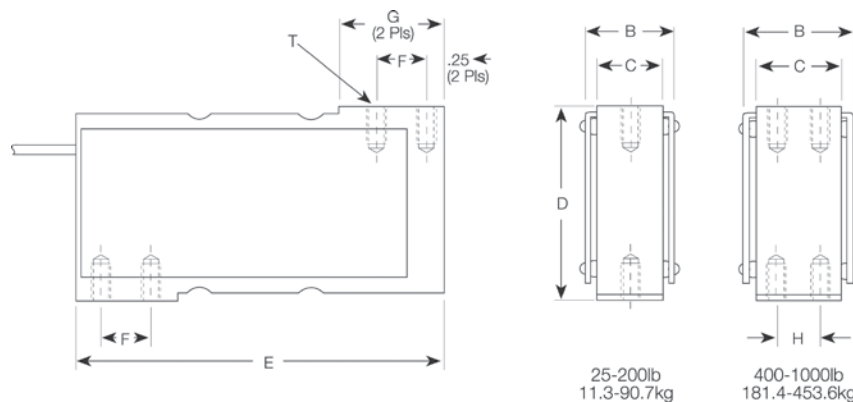
Load Rating	Part #	Est. Weight	Price
<b>10 ft Cable</b>			
50 lb	<b>17421</b>	4 lb	\$650.00
100 lb	<b>17423</b>	4 lb	\$650.00
200 lb	<b>17425</b>	4 lb	\$650.00
400 lb	<b>17427</b>	5 lb	\$685.00
500 lb	<b>17429</b>	5 lb	\$695.00
1,000 lb	<b>17431</b>	6 lb	\$750.00
<b>25 ft Cable</b>			
1,000 lb	<b>17514</b>	7 lb	\$795.00
<b>Adapters</b>			
Adapter kit	400 lb to 500 lb	<b>25562</b>	— \$55.00
Single adapter	25 lb to 200 lb	<b>17683</b>	— \$45.00

PN25562 is needed to convert 400 to 500lb capacity cells

PN17683 is needed to use the VPG Sensortronics 60048 load cell in NCI model 3255 and 3256 bases, 50 to 200lb capacities

**Dimensions**

Rated Capacity	T	B	C	D	E	F	G	H
50 to 200	1/4-28 UNF × 0.75 DP	1.25	1.00	3.00	6.00	1.00	1.50	—
400 to 500	1/4-28 UNF × 0.75 DP	1.25	1.00	3.00	6.00	1.00	1.50	0.50
1,000	5/16-24 UNF × 0.75 DP	1.75	1.50	3.00	6.00	1.00	1.50	1.00



**Interchangeable Products**

NCI®/WEIGH-TRONIX®  
**Mark V**

**Specifications**

- Full Scale Output:** 2.0 mV/V nominal
- Output Resistance:** 349 to 355 ohm
- Input Resistance:** 350 to 450 ohm
- Material/Finish:** Stainless steel
- Temperature:** Operating: 0 °F to 150 °F (-18 °C to 65 °C)

**Seal Type:** Environmentally sealed, IP67

**Safe Overload:** 150% full scale

**Rated Excitation:** 5 to 10 VDC (15 V maximum)

**Nonlinearity:** 0.03% full scale

**Hysteresis:** 0.02% full scale

**Insulation Resistance:** 5,000 megohm

**Deflection at Capacity:**  
50 to 100 lb: 0.013 in  
200 lb: 0.015 in  
400 to 500 lb: 0.023 in  
1,000 lb: 0.016 in

**Cable Length:** 10 ft, 25 ft

**Cable Diameter:** 0.200 in, Polyurethane jacket

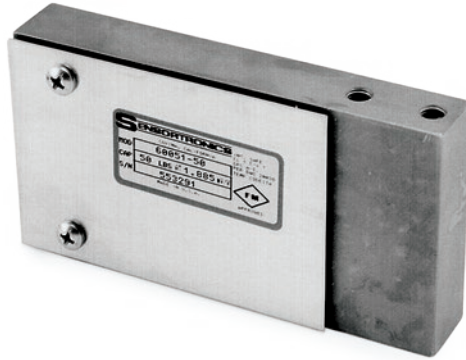
**Cable Color Code:** Red +Excitation, Black -Excitation, Green +Signal, White -Signal

**Warranty:** One-year limited

**Approvals:** cFMus

# 60051

Stainless Steel, Environmentally Sealed, IP67



Picture is a representation of actual product

### Approvals

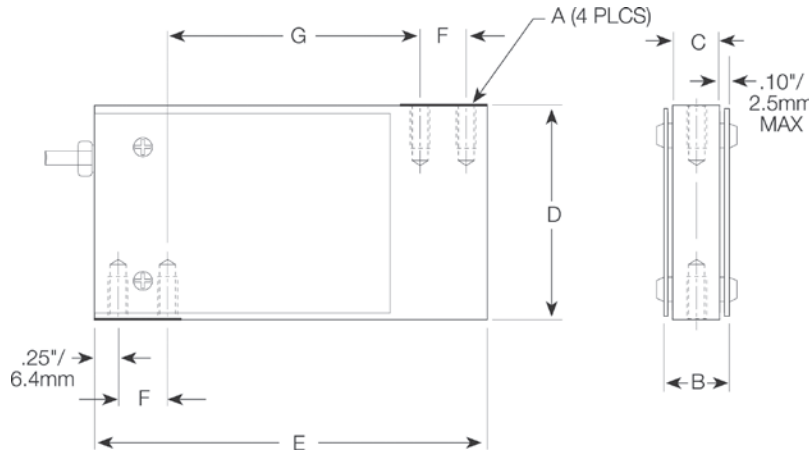


### Order Information

Load Rating	Part #	Est. Weight	Price
10 lb	17432	2 lb	\$450.00
15 lb	17433	2 lb	\$450.00
25 lb	17434	2 lb	\$450.00
50 lb	17435	3 lb	\$450.00
100 lb	17436	3 lb	\$450.00
200 lb	17437	3 lb	\$450.00

### Dimensions

Rated Capacity	A	B	C	D	E	F	G
lb/in							
10 to 25	1/4-28 UNF	0.70	0.50	2.50	4.63	0.75	2.62
50 to 200	1/4-28 UNF	0.95	0.75	2.50	4.63	0.75	2.62



### Interchangeable Products

NCI®/WEIGHTRONICS®  
**Mark III**  
 NCI/WEIGHTRONICS  
**Mark IX**

### Specifications

- Full Scale Output:**  
2.0 mV/V
- Output Resistance:**  
349 to 355 ohm
- Input Resistance:**  
380 to 450 ohm
- Material/Finish:**  
Stainless steel
- Temperature:**  
Operating:  
0 °F to 150 °F (-18 °C to 65 °C)
- Seal Type:**  
Environmentally sealed, IP67
- Safe Overload:**  
150% full scale
- Rated Excitation:**  
5 to 10 VDC (15 V maximum)
- Nonlinearity:**  
0.03% full scale
- Hysteresis:**  
0.02% full scale
- Insulation Resistance:**  
5,000 megohm
- Deflection at Capacity:**  
10 to 15 lb: 0.0014 in  
25 to 200 lb: 0.0010 in
- Cable Length:**  
10 ft
- Cable Diameter:**  
0.200 in  
Polyurethane jacket
- Cable Color Code:**  
Red +Excitation  
Black -Excitation  
Green +Signal  
White -Signal
- Warranty:**  
One-year limited
- Approvals:**  
cFMus



Picture is a representation of actual product

**Approvals**

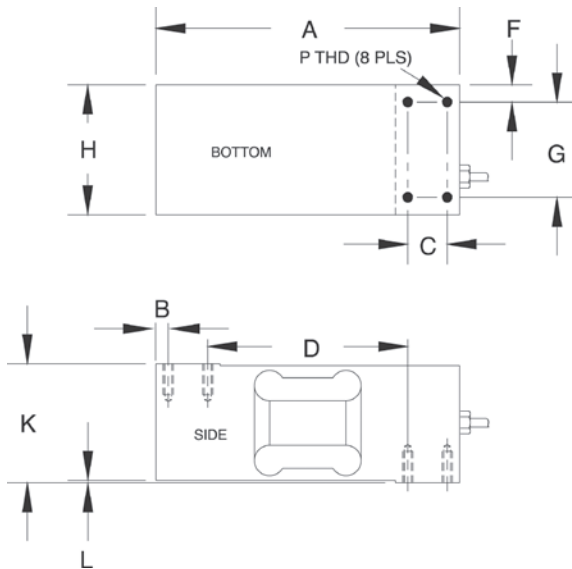


**Order Information**

Load Rating	Part #	Est. Weight	Price
<b>NTEP Certified</b>			
250 lb	17582	6 lb	\$385.00
300 lb	112689	6 lb	\$385.00
500 lb	17583	6 lb	\$385.00
750 lb	17584	6 lb	\$385.00
1,000 lb	17585	6 lb	\$385.00
2,000 lb	17586	6 lb	\$385.00
<b>Non-NTEP Certified</b>			
100 lb	36479	6 lb	\$385.00
150 lb	112688	6 lb	\$385.00

**Dimensions**

Rated Capacity	A	B	C	D	F	G	H	K	L	P
lb/in										
100 to 2,000	7.50	0.31	0.98	4.92	0.30	2.36	2.95	2.95	0.06	5/16-18-UNC x 0.75 DP



**Specifications**

- Full Scale Output:**  
2.0 mV/V
- Output Resistance:**  
349 to 355 ohm
- Input Resistance:**  
400 nominal ohm
- Material/Finish:**  
Aluminum, clear anodized
- Temperature:**  
Compensated:  
14 °F to 104 °F (-10 °C to 40 °C)  
Operating:  
0 °F to 150 °F (-18 °C to 65 °C)
- Seal Type:**  
Environmentally sealed, IP67
- Safe Overload:**  
150% full scale
- Safe Sideload:**  
100% full scale
- Rated Excitation:**  
5 to 10 V DC (15 V maximum)
- Combined Error:**  
0.02% full scale
- Insulation Resistance:**  
5,000 megohm
- Deflection at Capacity:**  
100 to 250 lb: 0.010 in  
500 to 2,000 lb: 0.006 in
- Cable Length:**  
10 ft
- Cable Diameter:**  
0.200 in  
Polyurethane jacket
- Cable Color Code:**  
Red +Excitation  
Black -Excitation  
Green +Signal  
White -Signal
- Max Platform Size:**  
30 x 30 in
- Warranty:**  
One-year limited
- Approvals:**  
NTEP  
cFMus

# 65016

Alloy Steel, Environmentally Sealed, IP67



Picture is a representation of actual product

### Approvals



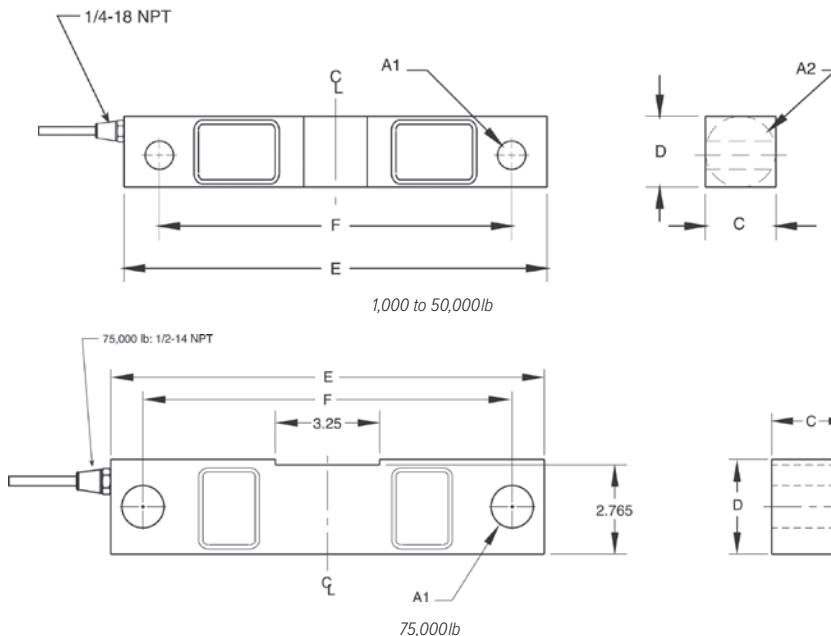
### Order Information

Load Rating	Part #	Est. Weight	Price
1,000 lb	17268	4 lb	\$583.00
1,500 lb	17270	4 lb	\$583.00
2,500 lb	17273	4 lb	\$583.00
5,000 lb	17275	4 lb	\$583.00
10,000 lb	17277	7 lb	\$662.00
15,000 lb	17279	7 lb	\$662.00
20,000 lb	17281	7 lb	\$662.00
25,000 lb	17282	7 lb	\$662.00
35,000 lb	46498	8 lb	\$917.00
50,000 lb	17284	27 lb	\$1,033.00
75,000 lb*	25358	27 lb	\$1,033.00

\*75,000lb capacity has a square center

### Dimensions

Rated Capacity	A1	A2	C	D	E	F	CONDUIT ADAPTER
lb/in							
1,000 to 5,000	0.50	1.25	1.25	1.25	7.50	6.25	1/4-18 NPT
10,000 to 25,000	0.81	1.99	1.44	1.94	8.75	7.50	1/4-18 NPT
35,000	0.81	2.50	1.50	2.50	8.75	7.50	1/4-18 NPT
50,000	1.31	3.00	2.44	2.94	13.50	11.50	1/2-14 NPT
75,000	1.31	—	2.44	2.94	13.50	11.50	1/2-14 NPT



### Interchangeable Products

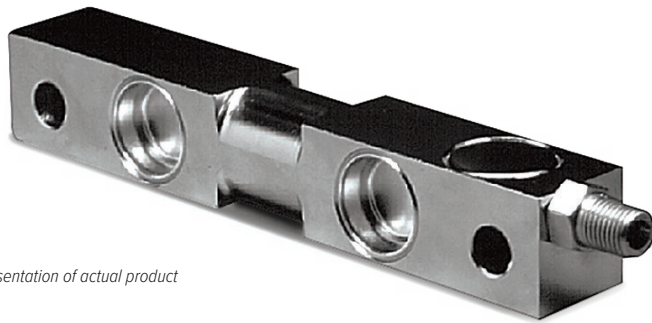
- RICE LAKE WEIGHING SYSTEMS  
**RL77032**..... page 130
- RICE LAKE WEIGHING SYSTEMS  
**RL75016**..... page 133
- VPG® CELTRON®  
**DSR**..... page 195
- VPG® REVERE  
**5203**

### Weigh Module Available

- RICE LAKE WEIGHING SYSTEMS  
**RL1600 Series**...page 68 and page 69

### Specifications

- Full Scale Output:**  
3.0 mV/V nominal
- Output Resistance:**  
699 to 707 ohm
- Input Resistance:**  
686 to 714 ohm
- Material/Finish:**  
High-alloy steel, nickel plated
- Temperature:**  
Operating:  
0 °F to 150 °F (-18 °C to 65 °C)
- Seal Type:**  
Environmentally sealed, IP67
- Safe Overload:**  
150% full scale
- Safe Sideload:**  
100% full scale
- Rated Excitation:**  
5 to 10 VDC (15 V maximum)
- Nonlinearity:**  
0.03% full scale
- Hysteresis:**  
0.02% full scale
- Insulation Resistance:**  
5,000 megohm
- Cable Length:**  
25 ft
- Cable Diameter:**  
1,000 to 25,000 lb: 0.200 in  
50,000 to 75,000 lb: 0.301 in  
Polyurethane jacket
- Cable Color Code:**  
Red +Excitation  
Black -Excitation  
Green +Signal  
White -Signal
- Warranty:**  
One-year limited
- Approvals:**  
cFMus



Picture is a representation of actual product

**Approvals**



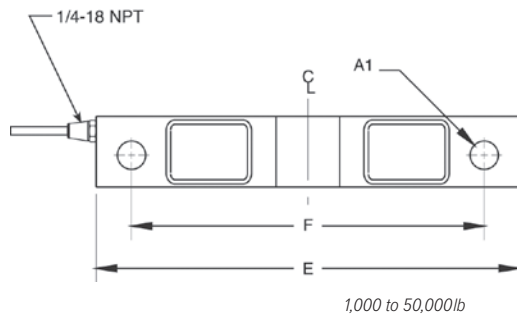
**Order Information**

Load Rating	Part #	Est. Weight	Price
1,000 lb	36295	4 lb	\$630.00
1,500 lb	36296	4 lb	\$630.00
2,000 lb	36297	4 lb	\$630.00
2,500 lb	36298	4 lb	\$630.00
5,000 lb	36299	4 lb	\$630.00
10,000 lb	36300	7 lb	\$715.00
15,000 lb	36301	7 lb	\$715.00
20,000 lb	36302	7 lb	\$715.00
25,000 lb	36303	7 lb	\$715.00
50,000 lb	36304	27 lb	\$1,479.00
75,000 lb*	36305	27 lb	\$1,479.00

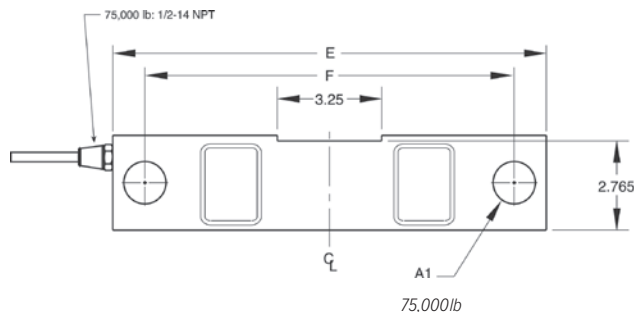
\*75,000lb capacity has a square center

**Dimensions**

Rated Capacity	E	G	A1	A2	B	C	CONDUIT ADAPTER	F
lb/in								
1,000 to 5,000	0.50	1.25	1.25	1.25	7.50	6.25	1/4-18 NPT	1.12
10,000 to 25,000	0.81	1.99	1.44	1.94	8.75	7.50	1/4-18 NPT	1.62
50,000	1.31	3.00	2.44	2.94	13.50	11.50	1/2-14 NPT	3.75
75,000	1.31	—	2.44	2.94	13.50	11.50	1/2-14 NPT	3.75



1,000 to 50,000lb



75,000lb

**Interchangeable Products**

- RICE LAKE WEIGHING SYSTEMS  
**RL77032SS HE**..... page 132
- RICE LAKE WEIGHING SYSTEMS  
**RL75016WHE**..... page 137
- VPG® SENSORTRONICS®  
**65016WH**..... page 292

**Weigh Module Available**

- RICE LAKE WEIGHING SYSTEMS  
**RL1600 Series SS**.....page 70

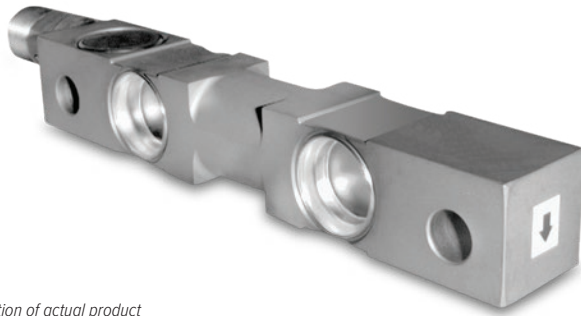
**Specifications**

- Full Scale Output:**  
3.0 mV/V nominal
- Output Resistance:**  
699 to 707 ohm
- Input Resistance:**  
686 to 714 ohm
- Material/Finish:**  
Stainless steel
- Temperature:**  
Operating:  
0 °F to 150 °F (-18 °C to 65 °C)
- Seal Type:**  
Welded-seal, IP67
- Safe Overload:**  
150% full scale
- Safe Sideload:**  
100% full scale
- Rated Excitation:**  
5 to 10 VDC (15 V maximum)
- Nonlinearity:**  
0.03% full scale
- Hysteresis:**  
0.02% full scale
- Insulation Resistance:**  
5,000 megohm
- Cable Length:**  
25 ft
- Cable Diameter:**  
1,000 to 25,000 lb: 0.200 in  
50,000 to 75,000 lb: 0.305 in  
Polyurethane jacket
- Cable Color Code:**  
Red +Excitation  
Black -Excitation  
Green +Signal  
White -Signal
- Warranty:**  
One-year limited
- Approvals:**  
cFMus

VPG® SENSORTRONICS®

# 65016WH

Stainless Steel, Hermetically Sealed, IP68



Picture is a representation of actual product

### Approvals

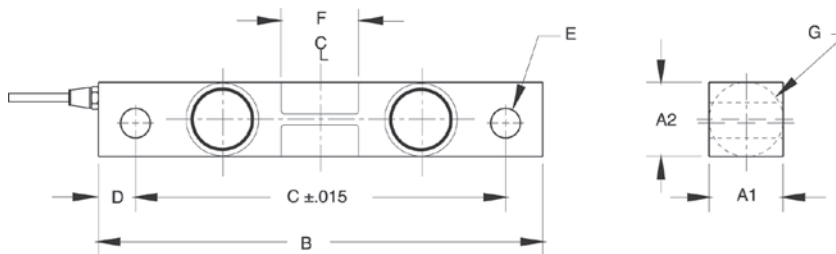


### Order Information

Load Rating	Part #	Est. Weight	Price
1,000 lb	65827	4 lb	\$736.00
1,500 lb	65828	4 lb	\$736.00
2,000 lb	65829	4 lb	\$736.00
2,500 lb	65830	4 lb	\$736.00
5,000 lb	65831	4 lb	\$736.00
10,000 lb	65832	7 lb	\$843.00
15,000 lb	65833	7 lb	\$843.00
20,000 lb	65834	7 lb	\$843.00
25,000 lb	65835	7 lb	\$843.00

### Dimensions

Rated Capacity	A1	A2	B	C	D	E	F	G	CONDUIT ADAPTER
lb/in									
1,000 to 5,000	1.22	1.22	7.50	6.25	0.62	0.50	1.12	1.25	1/2-14 NPT
10,000 to 25,000	1.44	1.94	8.75	7.50	0.62	0.81	1.62	1.99	1/2-14 NPT



### Interchangeable Products

- RICE LAKE WEIGHING SYSTEMS  
**RL77032SS HE**..... page 132
- RICE LAKE WEIGHING SYSTEMS  
**RL75016WHE**..... page 137
- RICE LAKE WEIGHING SYSTEMS  
**RL75016SS\***..... page 135
- VPG® SENSORTRONICS®  
**65016W\***..... page 291

\*Welded-seal

### Weigh Module Available

- RICE LAKE WEIGHING SYSTEMS  
**RL1600 Series**... page 72 and page 73

### Specifications

- Full Scale Output:**  
3.0 mV/V nominal
- Output Resistance:**  
699 to 707 ohm
- Input Resistance:**  
686 to 714 ohm
- Material/Finish:**  
Stainless steel
- Temperature:**  
Operating:  
0 °F to 150 °F (-18 °C to 65 °C)
- Seal Type:**  
Hermetically sealed, IP68
- Safe Overload:**  
150% full scale
- Safe Sideload:**  
100% full scale
- Rated Excitation:**  
5 to 10 VDC (15 V maximum)
- Nonlinearity:**  
0.03% full scale
- Hysteresis:**  
0.02% full scale
- Insulation Resistance:**  
5,000 megohm
- Cable Length:**  
25 ft
- Cable Diameter:**  
0.200 in  
Polyurethane jacket
- Cable Color Code:**  
Red +Excitation  
Black -Excitation  
Green +Signal  
White -Signal
- Warranty:**  
One-year limited
- Approvals:**  
cFMus



Picture is a representation of actual product

### Approvals



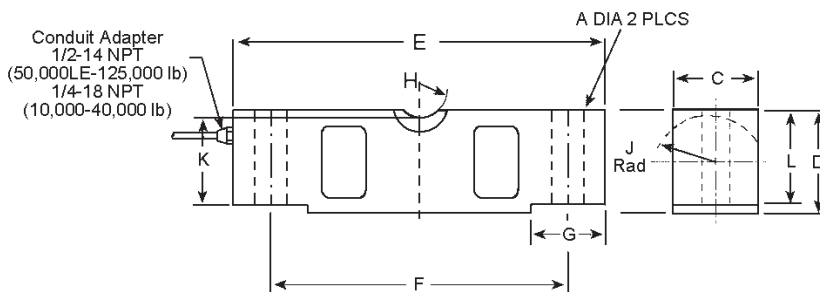
### Order Information

Load Rating	Part #	Est. Weight	Price
<b>NTEP Certified</b>			
20,000 lb	21592	7 lb	\$673.00
25,000 lb	21593	7 lb	\$673.00
40,000 lb	21608	13 lb	\$805.00
50,000 lb SE	26081	13 lb	\$895.00
50,000 lb LE	21594	21 lb	\$895.00
60,000 lb	21595	21 lb	\$895.00
75,000 lb	21596	21 lb	\$895.00
100,000 lb	21609	40 lb	\$1,669.00
125,000 lb	21610	40 lb	\$1,669.00
<b>Non-NTEP Certified</b>			
10,000 lb	17287	7 lb	\$652.00
<b>60 ft cable</b>			
75,000 lb	39459	26 lb	\$911.00

SE=small envelope; LE=large envelope

### Dimensions

Rated Capacity	A	C	D	E	F	G	H	J	K	L
lb/in										
10,000 to 25,000	0.68	1.69	1.94	7.75	6.50	1.38	0.75	0.90	1.63	1.70
40,000 to 50,000 SE	0.81	1.94	2.44	10.25	8.50	1.93	1.00	1.12	2.00	2.10
50,000 LE to 75,000	1.06	2.44	2.94	10.25	8.50	1.93	1.00	1.37	2.54	2.65
100,000 to 125,000	1.62	2.90	3.86	15.25	12.75	3.13	1.50	1.80	3.30	3.43



### Interchangeable Products

- RICE LAKE WEIGHING SYSTEMS  
**RL75058-LP** ..... page 139
- VPG® CELTRON®  
**CLB** ..... page 196

### Weigh Module Available

- RICE LAKE WEIGHING SYSTEMS  
**RL2100 HE** ..... page 32
- RICE LAKE WEIGHING SYSTEMS  
**MVS** ..... page 74

### Specifications

**Full Scale Output:**

3.0 mV/V

**Output Resistance:**

699 to 707 ohm

**Input Resistance:**

686 to 714 ohm

**Material/Finish:**

High-alloy steel, nickel plated

**Temperature:**

Compensated:

14 °F to 104 °F (-10 °C to 40 °C)

Operating:

0 °F to 150 °F (-18 °C to 65 °C)

**Seal Type:**

Environmentally sealed, IP67

**Safe Overload:**

150% full scale

**Safe Sideload:**

100% full scale

**Rated Excitation:**

5 to 10 V DC (15 V maximum)

**Combined Error:**

0.02% full scale

**Insulation Resistance:**

1,000 megohm

**Cable Length:**

35 ft

**Cable Diameter:**

10,000 to 25,000 lb: 0.200 in

40,000 to 125,000 lb: 0.305 in

Polyurethane jacket

**Cable Coloring:**

Red +Excitation

Black -Excitation

Green +Signal

White -Signal

**Warranty:**

One-year limited

**Approvals:**

NTEP

cFMus

VPG®  
SENSORTRONICS®

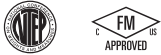
# 65058S

Stainless Steel, Welded Seal, NTEP Certified 1:10,000 Class III Multiple Cell, IP67



Picture is a representation of actual product

### Approvals

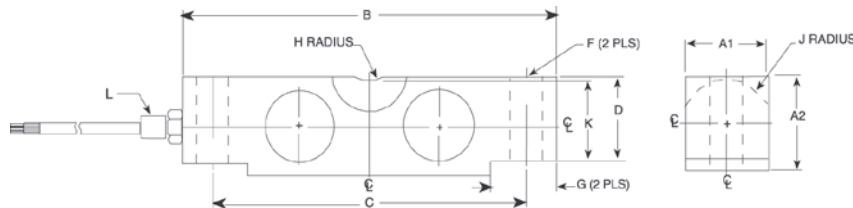


### Order Information

Load Rating	Part #	Est. Weight	Price
<b>35 ft Cable</b>			
20,000 lb	45475	7 lb	\$927.00
25,000 lb	45476	7 lb	\$927.00
40,000 lb	45477	11 lb	\$1,160.00
50,000 lb	45478	14 lb	\$1,160.00
60,000 lb	45479	20 lb	\$1,160.00
75,000 lb	45480	20 lb	\$1,160.00
100,000 lb	45481	40 lb	\$2,433.00
125,000 lb	45482	40 lb	\$2,963.00
<b>60 ft Cable</b>			
75,000 lb	48698	20 lb	\$1,300.00

### Dimensions

Rated Capacity	A1	A2	B	C	D	F	G	H	J	K	L
lb/in											
20,000 to 25,000	1.69	1.94	7.75	6.50	1.70	0.68	1.38	0.75	0.90	1.63	1/4-18 NPT
40,000	1.94	2.44	10.25	8.50	2.10	0.81	1.93	1.00	1.12	2.00	1/4-18 NPT
50,000 to 75,000	2.44	2.94	10.25	8.50	2.65	1.06	1.93	1.00	1.37	2.54	1/2-14 NPT
100,000	2.44	3.44	10.25	8.50	2.65	1.06	1.93	1.00	1.37	2.54	1/2-14 NPT
125,000	2.90	3.86	15.25	12.75	3.43	1.62	3.13	1.50	1.80	3.30	1/2-14 NPT



### Weigh Module Available

RICE LAKE WEIGHING SYSTEMS	
<b>RL2100 HE</b>	..... page 32
RICE LAKE WEIGHING SYSTEMS	
<b>MVS</b>	.....page 74

### Specifications

- Full Scale Output:** 3.0 mV/V
- Output Resistance:** 699 to 707 ohm
- Input Resistance:** 686 to 714 ohm
- Material/Finish:** Stainless steel
- Temperature:** Compensated: 14 °F to 104 °F (-10 °C to 40 °C)  
Operating: 0 °F to 150 °F (-18 °C to 65 °C)

- Seal Type:** Welded-seal, IP67
- Safe Overload:** 150% full scale
- Safe Sideload:** 100% full scale
- Rated Excitation:** 5 to 10 V DC (15 V maximum)
- Nonlinearity:** 0.03% full scale
- Hysteresis:** 0.02% full scale
- Insulation Resistance:** 1,000 megohm

- Cable Length:** 35 ft, 60 ft
- Cable Diameter:** 20,000 to 25,000 lb: 0.200 in  
40,000 to 125,000 lb: 0.305 in  
Polyurethane jacket
- Cable Coloring:** Red +Excitation  
Black -Excitation  
Green +Signal  
White -Signal

- Warranty:** One-year limited

- Approvals:** NTEP, cFMus



Picture is a representation of actual product

PN 154800 shown

### Approvals



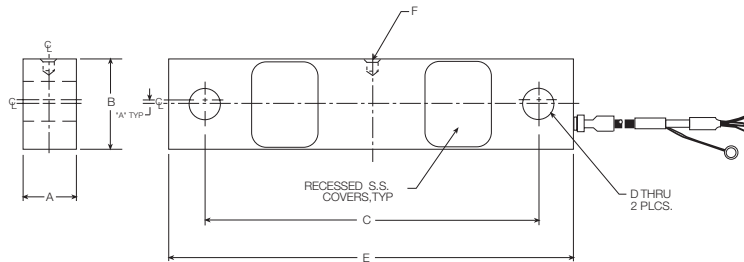
### Order Information

Load Rating	Part #	Est. Weight	Price
<b>Alloy Steel</b>			
40,000 lb	47850	18 lb	\$1,275.00
50,000 lb* (environmentally sealed)	47851	18 lb	\$1,275.00
50,000 lb	154800	18 lb	\$1,275.00
<b>Stainless Steel</b>			
50,000 lb (welded-seal)	67387	18 lb	\$1,425.00
<b>Mounting Assembly Accessories*</b>			
Load Button	25524	1 lb	\$53.00
Load Pin	50807	1 lb	\$101.00
Bearing Screw	44837	1 lb	\$134.00
Bushing	50748	1 lb	\$42.00
Load Cell Stand	50767	1 lb	\$337.00
Support Pin	50747	1 lb	\$37.00
Washer	15180	1 lb	\$2.30
Cotter Pin	15244	1 lb	\$1.50
Load Button (use with 154800)*	154802	1 lb	\$45.00

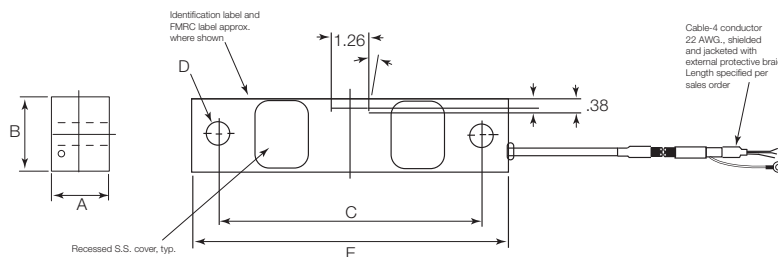
\*Counterbored hole for load button

### Dimensions

Rated Capacity	A	B	C	D	E	F
lb/in						
40,000	1.94	2.44	8.75	0.78	10.50	0.257 × 0.375 DP
50,000	1.94	2.44	8.75	0.78	10.50	0.257 × 0.375 DP



PN 47850, 47851, 67387



PN 154800

### Interchangeable Products

- FAIRBANKS®  
**Rodan 90814-40 k**
- FAIRBANKS  
**Rodan 91088-50 k**

### Specifications

#### Full Scale Output:

3.0 mV/V

#### Output Resistance:

699 to 707 ohm

#### Input Resistance:

686 to 714 ohm

#### Material/Finish:

High-alloy steel, nickel plated  
Stainless steel

#### Temperature:

Compensated:  
14 °F to 104 °F (-10 °C to 40 °C)

Operating:  
0 °F to 150 °F (-18 °C to 65 °C)

#### Seal Type:

Environmentally sealed, IP67  
PN 67387: Welded-seal, IP67

#### Safe Overload:

150% full scale

#### Safe Sideload:

100% full scale

#### Rated Excitation:

5 to 10 V DC (15 V maximum)

#### Combined Error:

0.02% full scale

#### Insulation Resistance:

5,000 megohm

#### Cable Length:

60 ft, copper overbraid

#### Cable Diameter:

0.230 in  
Polyurethane jacket

#### Cable Coloring:

Red +Excitation  
Black -Excitation  
Green +Signal  
White -Signal

#### Warranty:

One-year limited

#### Approvals:

NTEP  
cFMus

VPG®  
SENSORTRONICS®

# 65040A

Alloy Steel, Environmentally Sealed, NTEP Certified Class IIIIL Multiple Cell 1:6,000/1:10,000, IP67



Picture is a representation of actual product

### Approvals



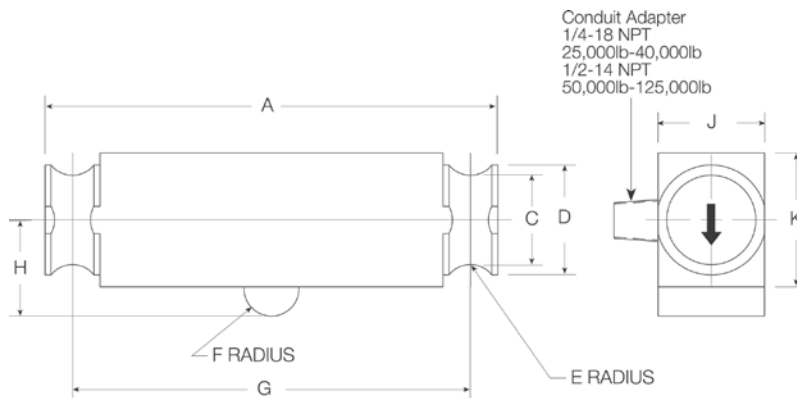
### Order Information

Load Rating	Part #	Est. Weight	Price
<b>NTEP Certified</b>			
25,000 lb	21598	11 lb	\$673.00
40,000 lb	21599	11 lb	\$805.00
50,000 lb SE	69562	11 lb	\$805.00
50,000 lb	21600	19 lb	\$885.00
60,000 lb	21601	19 lb	\$885.00
75,000 lb	21602	19 lb	\$885.00
100,000 lb	21603	40 lb	\$1,670.00
125,000 lb	21604	40 lb	\$1,670.00

SE=small envelope

### Dimensions

Rated Capacity	A	C	D	E	F	G	H	J	K
<b>lb/in</b>									
25,000 to 50,000 SE	8.25	1.63	2.00	0.50	0.50	7.25	1.75	1.94	2.44
50,000 to 75,000	11.50	1.70	2.20	0.75	1.00	10.00	2.00	1.94	2.94
100,000 to 125,000	14.50	2.44	3.20	1.00	1.50	12.50	2.75	2.90	3.86



### Interchangeable Products

- RICE LAKE WEIGHING SYSTEMS  
**RL75040** ..... page 144
- THURMAN®  
**TSC 840**

### Weigh Module Available

- RICE LAKE WEIGHING SYSTEMS  
**Translink™** .....page 75

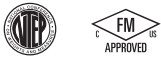
### Specifications

- Full Scale Output:**  
3.0mV/V
- Output Resistance:**  
686 to 714 ohm
- Input Resistance:**  
699 to 707 ohm
- Material/Finish:**  
High-alloy steel, nickel plated
- Temperature:**  
Compensated:  
14 °F to 104 °F (-10 °C to 40 °C)  
Operating:  
0 °F to 150 °F (-18 °C to 65 °C)
- Seal Type:**  
Environmentally sealed, IP67
- Safe Overload:**  
150% full scale
- Safe Sideload:**  
100% full scale
- Rated Excitation:**  
5 to 10 V DC (15 V maximum)
- Combined Error:**  
0.02% full scale
- Insulation Resistance:**  
1,000 megohm
- Cable Length:**  
35 ft
- Cable Diameter:**  
25,000 lb: 0.200 in  
50,000 to 125,000 lb: 0.305 in  
Polyurethane jacket
- Cable Coloring:**  
Red +Excitation  
Black -Excitation  
Green +Signal  
White -Signal
- Warranty:**  
One-year limited
- Approvals:**  
NTEP  
cFMus



Picture is a representation of actual product

**Approvals**

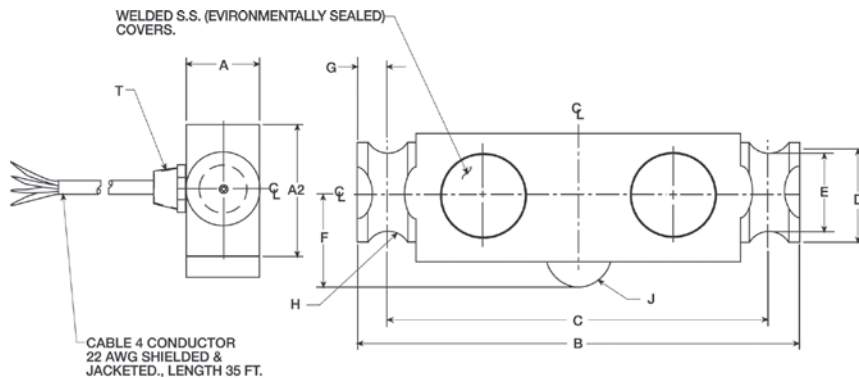


**Order Information**

Load Rating	Part #	Est. Weight	Price
25,000 lb	45467	15 lb	\$825.00
40,000 lb	45468	15 lb	\$995.00
50,000 lb	45469	25 lb	\$1,095.00

**Dimensions**

Rated Capacity	A	A2	B	C	D	E	F	G	H	J	T
lb/in											
25,000 to 40,000	1.94	2.44	8.25	7.25	2.00	1.63	1.75	0.50	0.50	0.50	1/4-18 NPT
50,000 to 75,000	1.94	2.94	11.50	10.00	2.20	1.70	2.00	0.75	0.75	1.00	1/4-18 NPT



**Interchangeable Products**

RICE LAKE WEIGHING SYSTEMS  
**RL75040** ..... page 144  
 VPG® SENSORTRONICS®  
**65040A** ..... page 296

**Specifications**

- Full Scale Output:**  
3.0 mV/V
- Output Resistance:**  
699 to 707 ohm
- Input Resistance:**  
686 to 714 ohm
- Material/Finish:**  
Stainless steel
- Temperature:**  
Compensated:  
14 °F to 104 °F (-10 °C to 40 °C)  
Operating:  
0 °F to 150 °F (-18 °C to 65 °C)
- Seal Type:**  
Welded-seal, IP68
- Safe Overload:**  
150% full scale
- Safe Sideload:**  
100% full scale
- Rated Excitation:**  
5 to 10 V DC (15 V maximum)
- Combined Error:**  
0.02% full scale
- Insulation Resistance:**  
5,000 megohm
- Cable Length:**  
35 ft
- Cable Diameter:**  
25,000 lb: 0.200 in  
40,000 to 75,000 lb: 0.301 in  
Polyurethane jacket
- Cable Coloring:**  
Red +Excitation  
Black -Excitation  
Green +Signal  
White -Signal
- Warranty:**  
One-year limited
- Approvals:**  
NTEP  
cFMus

VPG® SENSORTRONICS®

# 65040A-1127W

Alloy Steel, Welded Seal, NTEP Certified 1:10,000 Class III Multiple Cell, IP67

VPG®  
SENSORTRONICS®



Picture is a representation of actual product

### Approvals

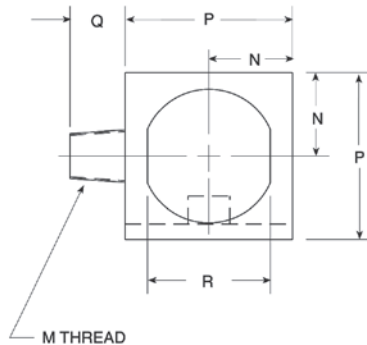
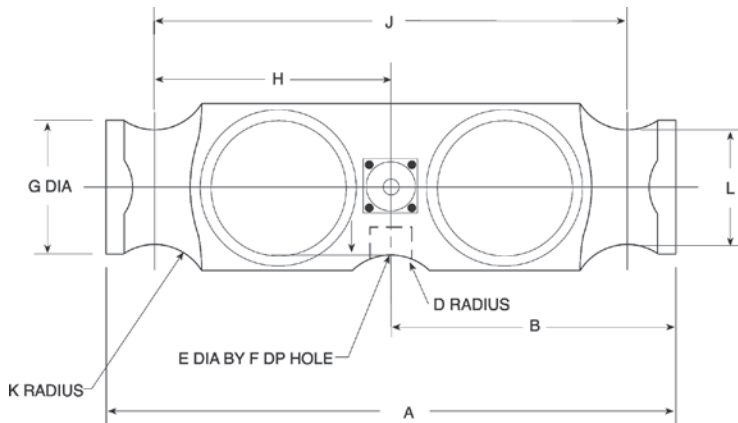


### Order Information

Load Rating	Part#	Est. Weight	Price
50,000 lb	66080	18 lb	\$1,095.00
65,000 lb	87162	20 lb	\$1,095.00

### Dimensions

Rated Capacity	A	B	D	E	F	G	H	J	K	L	M	N	P	Q	R
lb/in															
50,000 to 65,000	10.25	5.12	1.00	0.75	0.78	2.40	4.25	8.50	1.00	2.06	1/2-14 NPT	1.50	3.00	1.03	2.20



### Interchangeable Products

RICE LAKE WEIGHING SYSTEMS	
<b>RL75223</b> .....	page 142
VPG® REVERE	
<b>5223</b> .....	page 257
ARTECH®	
<b>80210</b>	
THURMAN®	
<b>TSC 800</b>	

### Weigh Module Available

RICE LAKE WEIGHING SYSTEMS	
<b>Translink™</b> .....	page 75

### Specifications

**Full Scale Output:**

3.0 mV/V

**Output Resistance:**

699 to 707 ohm

**Input Resistance:**

686 to 714 ohm

**Material/Finish:**

High-alloy steel

**Temperature:**

Compensated:

14 °F to 104 °F (-10 °C to 40 °C)

Operating:

0 °F to 150 °F (-18 °C to 65 °C)

**Seal Type:**

Welded-seal, IP67

**Safe Overload:**

150% full scale

**Safe Sideload:**

100% full scale

**Rated Excitation:**

5 to 10 V DC (15 V maximum)

**Combined Error:**

0.03% full scale

**Non-repeatability:**

0.01% full scale

**Insulation Resistance:**

1,000 megohm

**Deflection at Capacity:**

50,000 lb: 0.018 in

65,000 lb: 0.022 in

**Cable Length:**

40 ft

**Cable Diameter:**

0.305 in

Polyurethane jacket

**Cable Color Code:**

Red +Excitation

Black -Excitation

Green +Signal

White -Signal

**Warranty:**

One-year limited

**Approvals:**

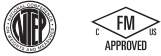
NTEP

cFMus



Picture is a representation of actual product

**Approvals**



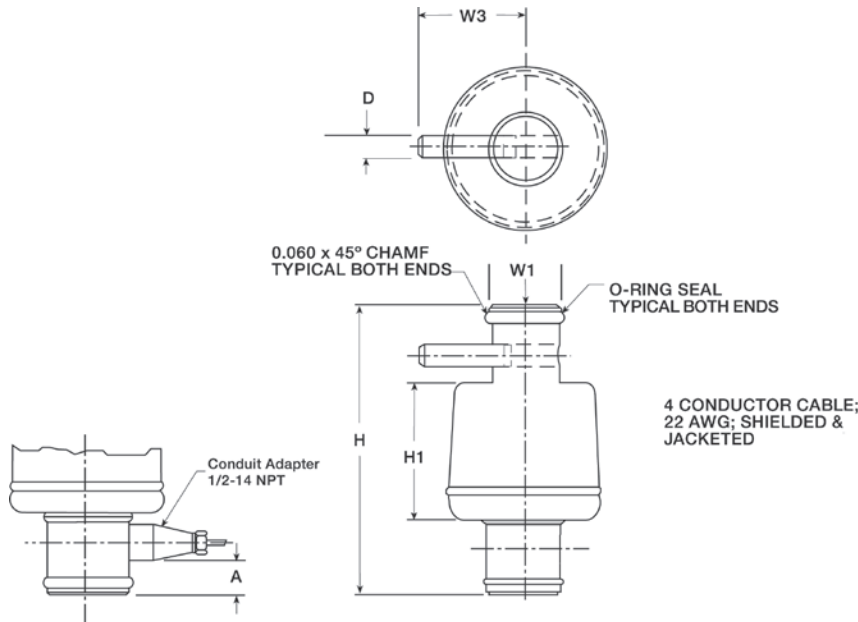
**Order Information**

Load Rating	Part #	Est. Weight	Price
50,000 lb	<b>46497</b>	5 lb	\$1,050.00
50,000 lb LE	<b>47952</b>	6 lb	\$1,050.00
Options			
Replacement anti-rotational pins	<b>116181</b>	1 lb	\$5.00
Replacement O-ring	<b>92988</b>	1 lb	\$1.00

LE=large envelope

**Dimensions**

Rated Capacity	A	D	H	H1	H2	W1	W2	W3
lb/in								
50,000	0.62	0.38	6.00	2.82	1.59	1.46	1.46	2.50
50,000 LE	0.62	0.38	7.56	2.82	1.59	1.46	1.46	2.50



**Interchangeable Products**

FAIRBANKS®  
**63951**

**Specifications**

**Full Scale Output:**

2.0 mV/V nominal

**Output Resistance:**

1,000 (± 10 ohm)

**Input Resistance:**

1,000 ohm

**Material/Finish:**

Stainless steel

**Temperature:**

Compensated:

14 °F to 104 °F (-10 °C to 40 °C)

Operating:

0 °F to 150 °F (-18 °C to 65 °C)

**Seal Type:**

Hermetically sealed, IP68

**Safe Overload:**

150% full scale

**Rated Excitation:**

5 to 10 V DC (15 V maximum)

**Combined Error:**

0.03% full scale

**Insulation Resistance:**

1,000 megohm

**Cable Length:**

35 ft

**Cable Diameter:**

0.305 in

Polyurethane jacket

**Cable Color Code:**

Red +Excitation

Black -Excitation

Green +Signal

White -Signal

**Warranty:**

Two-year limited

**Approvals:**

NTEP

cFMus

