

# VPG Celtron

## TABLE OF CONTENTS

### S-BEAMS

Page 187

#### STC, LOW-CAPACITY, ALLOY STEEL



Ideally suited for batching and filling, conveyor and hopper/tank weighing. Nickel-plated, high-alloy steel construction. Capacities range from 50 to 200 lb. Complete with 20 ft of load cell cable.



Page 188

#### STC, ALLOY STEEL



Nickel-plated, alloy steel construction. Suited for batching, filling and hopper/tank weighing applications. Capacities range from 250 to 40,000 lb. Comes with 20 ft of load cell cable, and 30 ft of cable for 3,000, 5,000 and 20,000 lb capacities.



Page 189

#### STC SS, STAINLESS STEEL



Industrial S-beam in a protective stainless steel construction. Ideal for tension applications. Capacities range from 250 to 10,000 lb. Provided with a standard 20 ft of load cell cable.



Page 190

#### STC-HSS, STAINLESS STEEL



Features upgraded protection to the standard environmentally sealed S-beam. Ideal for dry, dirty suspended tank, hopper and mechanical replacement applications. Provides a mid-range solution. Available in capacities ranging from 500 lb to 10,000 lb. Each unit includes 20 ft of standard load cell cable.

### SINGLE-ENDED BEAMS

Page 191

#### SQB, ALLOY STEEL



Single-ended beam designed for low-profile scales and platform, hopper and tank weighing applications. NTEP Certified cells in capacities from 1,000 to 10,000 lb. Non-NTEP Certified cells in 500, 15,000 and 20,000 lb capacities. Complete with 20 ft of load cell cable.



Page 192

#### SQB-HSS, STAINLESS STEEL



A stainless steel, welded-seal, single-ended beam load cell with exceptional performance and reliability. Suitable for hostile environment applications, such as food and chemical processing. Designed for single or multiple load cell installations and easy adaptation of mounting hardware. Capacities range from 1,000 to 10,000 lb. Complete with 20 ft of load cell cable.



Page 193

#### MBB, ALLOY STEEL



Ultra-small load cell designed for bench, platform, tank and conveyor weighing applications. Nickel-plated and environmentally protected with a stainless steel side plate. Capacities range from 50 to 250 lb. Complete with 5 ft of load cell cable.



## SINGLE-ENDED BEAMS

Page 194

### SEB, ALLOY STEEL



Designed for various scale and process weighing applications, this single-ended beam is manufactured from high-alloy steel and nickel-plated to ensure an IP67 rating. OIML approved and metric envelope capacities range from 500 kg to 2.5 t. Comes with 6 m of standard load cell cable.



## DOUBLE-ENDED BEAMS

Page 195

### DSR, ALLOY STEEL



Double-ended beam with center loading. Designed for tank, hopper and silo applications. Capacities range from 1,000 to 75,000 lb. Complete with 25 ft of load cell cable.



Page 196

### CLB, ALLOY STEEL



An alloy steel, nickel-plated, double-ended beam ideal for applications in truck, track, tank and hopper applications. Center-loaded design and compatible with MVS and TSA mounting assemblies. Available in capacities ranging from 20,000 to 125,000 lb. Provided with 25 ft of load cell cable.



## SINGLE POINTS

Page 197

### LPS, ALUMINUM



Most suitable for mass production operations. Constructed of anodized aluminum and fully potted IP65 levels, providing excellent protection against moisture ingress. Available in NTEP capacities ranging from 3 to 20 kg, and non-NTEP capacities ranging from 10 to 100 kg. Comes with 16.5 in of cable for 3 to 35 kg capacity, 14 in for 60 kg capacity and 6.5 ft for 100 kg capacity.



Page 198

### LOC, ALUMINUM, HEAVY CAPACITY



Low-profile, off-center loading load cell. Designed for direct mounting of a weighing platform and hanging scales. Long-term stability and durability are maintained. Capacities range from 100 to 500 kg. Complete with 3 m of load cell cable.



## COMPRESSION CANISTERS

Page 199

### LCD, ALLOY STEEL



Environmentally protected, low-profile compression disk. 5,000 lb and 10,000 lb models can also be used in tension-loading applications. The shear web design provides excellent performance and a low-profile feature makes it ideal for applications where height is critical. Capacities range from 5,000 to 100,000 lb. Complete with 50 ft of load cell cable.



# STC Low-Capacity

Alloy Steel, Environmentally Sealed, IP67



Picture is a representation of actual product.

## Approvals

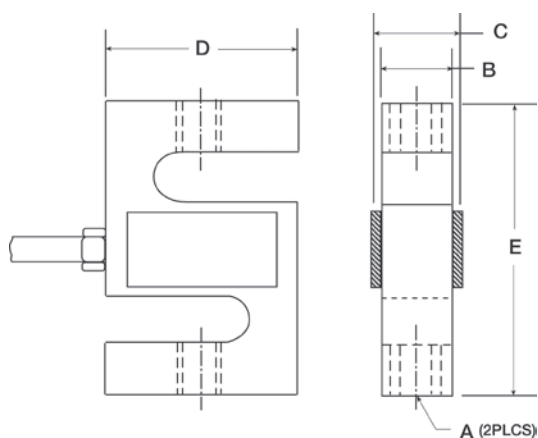


## Order Information

Load Rating	Part #	Est. Weight	Price
50 lb	30044	2 lb	\$315.00
100 lb	30045	2 lb	\$315.00
150 lb	30046	2 lb	\$315.00
200 lb	35787	2 lb	\$315.00

## Dimensions

Rated Capacity	A	B	C	D	E
lb/in					
50 to 200	1/4-28 UNF	0.50	1.05	2.00	2.50



## Interchangeable Products

RICE LAKE WEIGHING SYSTEMS  
 RL20000I..... page 96

## Weigh Module Available

RICE LAKE WEIGHING SYSTEMS  
 ITCM-Isolated Tension Cell  
 Mount.....page 34

## Specifications

### Full Scale Output:

3.0 mV/V (50 lb capacity, 2.0 mV/V)

### Output Resistance:

350 ( $\pm 3$ ) ohm

### Input Resistance:

385 ( $\pm 5$ ) ohm

### Material/Finish:

High-alloy steel, nickel plated

### Temperature:

Operating:  
 0 °F to 150 °F (-18 °C to 65 °C)

### Seal Type:

Environmentally sealed, IP67

### Safe Overload:

150% full scale

### Rated Excitation:

5 to 15 VDC

### Nonlinearity:

0.03% full scale

### Hysteresis:

0.02% full scale

### Insulation Resistance:

5,000 megohm

### Cable Length:

20 ft

### Cable Diameter:

0.200 in  
 Polyurethane jacket

### Cable Color Code:

Red +Excitation  
 Black -Excitation  
 Green +Signal  
 White -Signal

### Warranty:

One-year limited

### Approvals:

cFMus

S-BEAM  
**STC**

Alloy Steel, Environmentally Sealed, NTEP Certified 1:5,000 III/1:10,000 IIIL Single Cell, IP67

VPG® CELTRON®



Picture is a representation of actual product

**Approvals**



**Order Information**

Load Rating	Part #	Est. Weight	Price
<b>NTEP Certified</b>			
250 lb	30047	2 lb	\$310.00
500 lb	30051	2 lb	\$310.00
750 lb	30054	2 lb	\$310.00
1,000 lb	30067	2 lb	\$310.00
1,500 lb	30069	2 lb	\$310.00
2,000 lb	30072	3 lb	\$310.00
2,500 lb	30073	3 lb	\$310.00
3,000 lb	30074	3 lb	\$330.00
5,000 lb	30076	3 lb	\$450.00
10,000 lb	30077	5 lb	\$450.00
15,000 lb	30078	9 lb	\$710.00
20,000 lb	30079	17 lb	\$975.00
<b>Non-NTEP Certified</b>			
40,000 lb	46674	39 lb	\$1,825.00

**Special Load Cells**

Load Rating	Part #	Est. Weight	Price
<b>30 ft Cable Matched Outputs</b>			
3,000 lb	67882	3 lb	\$330.00
5,000 lb	67881	4 lb	\$550.00
20,000 lb	67883	17 lb	\$1,015.00

**Dimensions**

Rated Capacity	A	B	C	D	E
lb/in					
250	3/8-24 UNF	0.75	0.50	2.00	3.00
500 to 1,500	1/2-20 UNF	1.00	0.75	2.00	3.00
2,000 to 3,000	1/2-20 UNF	1.25	1.00	2.00	3.00
5,000	3/4-16 UNF	1.25	1.00	3.00	4.25
10,000	3/4-16 UNF	1.25	1.00	3.50	4.75
15,000	1-14 UNS	1.50	1.25	4.00	5.50
20,000	1 1/4-12 UNF	2.19	2.00	5.00	7.00
40,000	1 1/2-12 UNF	2.75	2.50	6.00	10.00

**Interchangeable Products**

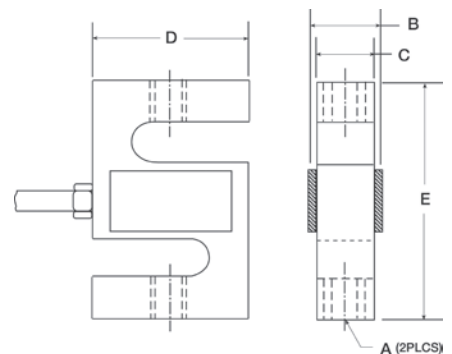
RICE LAKE WEIGHING SYSTEMS  
**RL20001I** ..... page 99  
 VPG® SENSORTRONICS®  
**60001**.....page 275

**Weigh Module Available**

RICE LAKE WEIGHING SYSTEMS  
**ITCM-Isolated Tension Cell Mount**.....page 34

**Specifications**

- Full Scale Output:**  
3.0 mV/V nominal
- Output Resistance:**  
350 (± 3) ohm
- Input Resistance:**  
385 (± 5) ohm
- Material/Finish:**  
High-alloy steel, nickel plated
- Temperature:**  
Compensated:  
14 °F to 104 °F (-10 °C to 40 °C)  
Operating:  
0 °F to 150 °F (-18 °C to 65 °C)
- Seal Type:**  
Environmentally sealed, IP67
- Safe Overload:**  
150% full scale
- Combined Error:**  
0.02% full scale
- Rated Excitation:**  
5 to 15 VDC
- Non-repeatability:**  
0.01% full scale
- Insulation Resistance:**  
5,000 megohm
- Cable Length:**  
20 ft
- Cable Diameter:**  
250 to 20,000 lb: 0.200 in  
40,000 lb: 0.305 in  
Polyurethane jacket
- Cable Color Code:**  
Red +Excitation  
Black -Excitation  
Green +Signal  
White -Signal
- Warranty:**  
One-year limited
- Approvals:**  
NTEP  
cFMus





Picture is a representation of actual product

**Approvals**

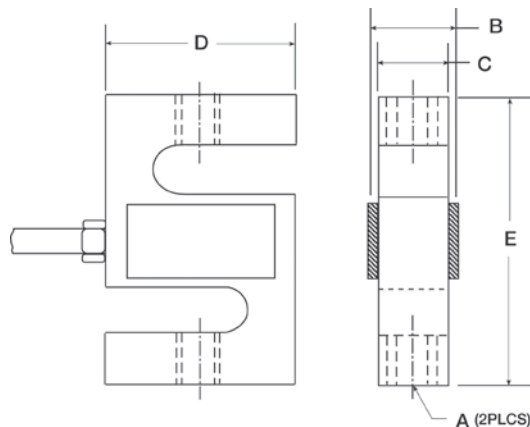


**Order Information**

Load Rating	Part #	Est. Weight	Price
250 lb	46659	2 lb	\$385.00
500 lb	46661	2 lb	\$385.00
750 lb	46662	2 lb	\$385.00
1,000 lb	46663	2 lb	\$385.00
1,500 lb	46664	2 lb	\$385.00
2,000 lb	46665	2 lb	\$385.00
2,500 lb	46666	3 lb	\$425.00
3,000 lb	46667	2 lb	\$425.00
5,000 lb	46668	4 lb	\$505.00
10,000 lb	46669	4 lb	\$505.00

**Dimensions**

Rated Capacity	A	B	C	D	E
lb/in					
250	3/8-24 UNF	0.75	0.50	2.00	3.00
500 to 1,500	1/2-20 UNF	1.00	0.75	2.00	3.00
2,000 to 3,000	1/2-20 UNF	1.25	1.00	2.00	3.00
5,000	3/4-16 UNF	1.25	1.00	3.00	4.25
10,000	3/4-16 UNF	1.25	1.00	3.50	4.25



**Interchangeable Products**

VPG® SENSORTRONICS®  
60050 .....page 276

**Specifications**

- Full Scale Output:**  
3.0 mV/V nominal
- Output Resistance:**  
350 (± 3) ohm
- Input Resistance:**  
385 (± 5) ohm
- Material/Finish:**  
Stainless steel
- Temperature:**  
Operating:  
0 °F to 150 °F (-18 °C to 65 °C)
- Seal Type:**  
Environmentally sealed, IP67
- Safe Overload:**  
150% full scale
- Rated Excitation:**  
5 to 15 VDC
- Nonlinearity:**  
0.03% full scale
- Hysteresis:**  
0.02% full scale
- Insulation Resistance:**  
5,000 megohm
- Cable Length:**  
20 ft
- Cable Diameter:**  
0.200 in  
Polyurethane jacket
- Cable Color Code:**  
Red +Excitation  
Black -Excitation  
Green +Signal  
White -Signal
- Warranty:**  
One-year limited
- Approvals:**  
cFMus

# STC-HSS

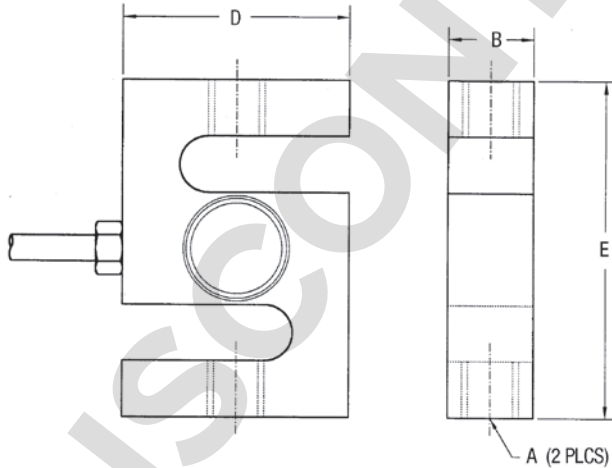
Stainless Steel, Welded Seal, IP67



Picture is a representation of actual product

## Dimensions

Rated Capacity	A	B	D	E
lb/in				
500 to 3,000	1/2-20 UNF	1.00	2.00	2.97
5,000 to 10,000	3/4-16 UNF	1.00	3.00	4.25



## Weigh Module Available

RICE LAKE WEIGHING SYSTEMS  
**ITCM-Isolated  
 Tension Cell Mount.....page 34**

## Specifications

**Full Scale Output:**

2.0 mV/V

**Output Resistance:**

350 (± 3) ohm

**Input Resistance:**

385 (± 5) ohm

**Material/Finish:**

Stainless steel

**Temperature:**

Operating: 0 °F to 150 °F (-18 °C to 65 °C)

**Seal Type:**

Welded-seal, IP67

**Safe Overload:**

150% full scale

**Rated Excitation:**

5 to 15 VDC

**Combined Error:**

0.05%

**Insulation Resistance:**

5,000 megohm

**Cable Length:**

20 ft

**Cable Diameter:**

0.200 in  
 Polyurethane jacket

**Cable Color Code:**

Red +Excitation  
 Black -Excitation  
 Green +Signal  
 White -Signal

**Warranty:**

One-year limited



Picture is a representation of actual product

**Approvals**



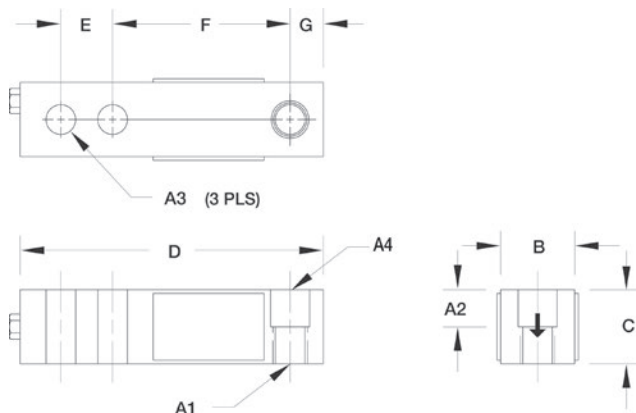
**Order Information**

Load Rating	Part #	Est. Weight	Price
<b>NTEP Certified</b>			
1,000 lb	30106	3 lb	\$215.00
2,000 lb	30109	3 lb	\$215.00
2,500 lb	30112	3 lb	\$215.00
3,000 lb	30113	3 lb	\$215.00
4,000 lb	30270	3 lb	\$215.00
5,000 lb SE	30114	3 lb	\$215.00
5,000 lb LE	30115	5 lb	\$365.00
10,000 lb	30117	5 lb	\$365.00
<b>Non-NTEP Certified</b>			
500 lb	30101	3 lb	\$215.00
15,000 lb	30118	9 lb	\$475.00
20,000 lb	30121	10 lb	\$495.00

SE=small envelope; LE=large envelope

**Dimensions**

Rated Capacity	A4	A2	A3	A1	B	C	D	E	F	G
500 lb/in	0.53 dia	0.50	0.53	1/2-20 UNF	1.25	1.00	5.12	1.00	3.00	0.50
1,000 to 5,000 SE	0.53 dia	0.62	0.53	1/2-20 UNF	1.25	1.25	5.12	1.00	3.00	0.50
5,000 LE to 10,000	0.78 dia	0.75	0.78	3/4-16 UNF	1.50	1.50	6.75	1.50	3.75	0.75
15,000 to 20,000	1.03 dia	1.00	1.03	1-14 UNS	2.00	2.00	8.88	2.00	4.88	1.00



**Interchangeable Products**

VPG® SENSORTRONICS®  
65023A.....page 281

**Weigh Module Available**

RICE LAKE WEIGHING SYSTEMS  
RL50210TA.....page 39  
RICE LAKE WEIGHING SYSTEMS  
RL1800 Series.....page 50

**Specifications**

- Full Scale Output:**  
3.0 mV/V
- Output Resistance:**  
350 (± 3) ohm
- Input Resistance:**  
385 (± 5) ohm
- Material/Finish:**  
High-alloy steel, nickel plated
- Temperature:**  
Compensated:  
14 °F to 104 °F (-10 °C to 40 °C)  
Operating:  
0 °F to 150 °F (-18 °C to 65 °C)
- Seal Type:**  
Environmentally sealed, IP67
- Safe Overload:**  
150% full scale
- Safe Sideload:**  
100% full scale
- Rated Excitation:**  
5 to 15 VDC
- Combined Error:**  
0.02% full scale
- Insulation Resistance:**  
5,000 megohm
- Deflection at Capacity:**  
500 to 1,000 lb: 0.013 in  
2,000 to 3,000 lb: 0.015 in  
4,000 to 5,000 lb: 0.025 in  
10,000 lb: 0.035 in
- Cable Length:**  
20 ft
- Cable Diameter:**  
0.200 in  
Polyurethane jacket
- Cable Color Code:**  
Red +Excitation  
Black -Excitation  
Green +Signal  
White -Signal
- Warranty:**  
One-year limited
- Approvals:**  
NTEP  
cFMus

# SQB-HSS

Stainless Steel, Welded Seal, NTEP Certified 1:5,000 Class III Multiple Cell, IP67



Picture is a representation of actual product

### Approvals



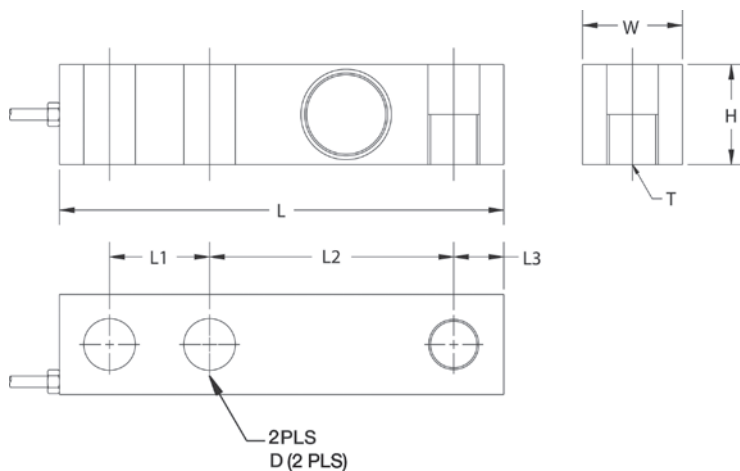
### Order Information

Load Rating	Part #	Est. Weight	Price
1,000 lb	67118	3 lb	\$344.00
2,000 lb	67119	3 lb	\$344.00
2,500 lb	67120	3 lb	\$344.00
4,000 lb	67122	3 lb	\$344.00
5,000 lb SE	67123	3 lb	\$344.00
5,000 lb LE	67124	5 lb	\$450.00
10,000 lb	67125	5 lb	\$450.00

SE=small envelope; LE=large envelope

### Dimensions

Rated Capacity	L	L1	L2	L3	W	H	D	T
lb/in								
1,000 to 5,000 SE	5.12	1.00	3.00	0.50	1.25	1.25	0.53	1/2-20 UNF
5,000 LE to 10,000	6.75	1.50	3.75	0.75	1.50	1.50	0.78	3/4-16 UNF



### Interchangeable Products

VPG® SENSORTRONICS®  
**65083**..... page 284

### Weigh Module Available

RICE LAKE WEIGHING SYSTEMS  
**RL1800 Series**..... page 50

### Specifications

- Full Scale Output:**  
3.0 mV/V
- Output Resistance:**  
350 (± 3) ohm
- Input Resistance:**  
385 (± 5) ohm
- Material/Finish:**  
Stainless steel
- Temperature:**  
Compensated:  
14 °F to 104 °F (-10 °C to 40 °C)  
Operating:  
0 °F to 150 °F (-18 °C to 65 °C)
- Seal Type:**  
Welded-seal, IP67
- Safe Overload:**  
150% full scale
- Safe Sideload:**  
100% full scale
- Rated Excitation:**  
5 to 15 VDC
- Combined Error:**  
0.02 full scale
- Insulation Resistance:**  
5,000 megohm
- Cable Length:**  
20 ft
- Cable Diameter:**  
0.200 in  
Polyurethane jacket
- Cable Color Code:**  
Red +Excitation  
Black -Excitation  
Green +Signal  
White -Signal
- Warranty:**  
One-year limited
- Approvals:**  
NTEP  
cFMus



Picture is a representation of actual product

### Approvals

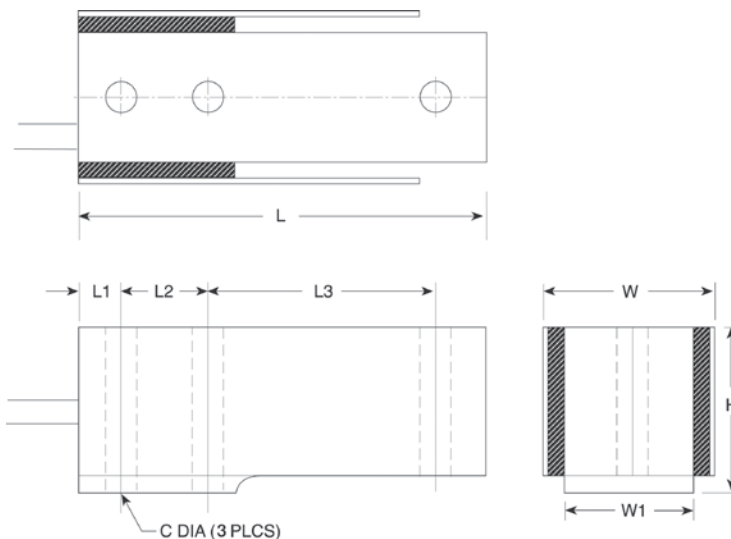


### Order Information

Load Rating	Part #	Est. Weight	Price
50 lb	30130	2 lb	\$225.00
100 lb	30131	2 lb	\$225.00
150 lb	30132	2 lb	\$225.00
250 lb	35786	2 lb	\$225.00

### Dimensions

Rated Capacity	C	W	W1	H	L	L1	L2	L3
50 to 150	0.17	0.75	0.50	0.98	2.38	0.25	0.50	1.33
250	0.17	1.00	0.75	0.98	2.38	0.25	0.50	1.33



### Interchangeable Products

INTERFACE®  
MB

### Specifications

#### Full Scale Output:

3.0 mV/V

#### Output Resistance:

350 (± 3) ohm

#### Input Resistance:

385 (± 5) ohm

#### Material/Finish:

High-alloy steel, nickel plated

#### Temperature:

Operating:  
0 °F to 150 °F (-18 °C to 65 °C)

#### Seal Type:

Environmentally sealed, IP65

#### Safe Overload:

150% full scale

#### Rated Excitation:

5 to 15 VDC

#### Nonlinearity:

0.03% full scale

#### Hysteresis:

0.02% full scale

#### Insulation Resistance:

5,000 megohm

#### Cable Length:

5 ft

#### Cable Color Code:

Red +Excitation  
Black -Excitation  
Green +Signal  
White -Signal

#### Warranty:

One-year limited

#### Approvals:

cFMus

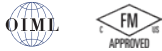
# SEB

Alloy Steel, Environmentally Sealed, OIML C3, IP67



Picture is a representation of actual product

### Approvals

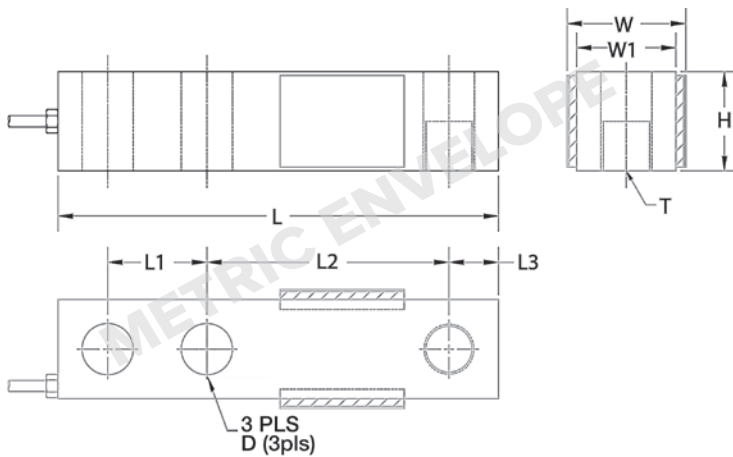


### Order Information

Load Rating	Part #	Est. Weight	Price
500 kg	69315	3 lb	\$295.00
1 t	69316	3 lb	\$295.00
2 t	69318	3 lb	\$295.00
2.5 t	69319	3 lb	\$295.00

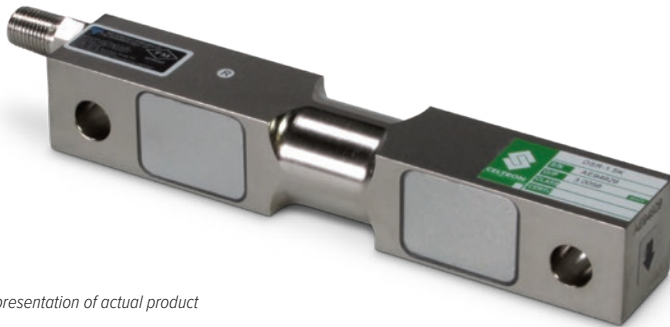
### Dimensions

Rated Capacity	L	L1	L2	L3	W	W1	H	D	T
kg-t/mm									
500 to 2.5	130.0	25.4	76.2	12.7	38.1	31.8	31.8	13.5	M12 × 1.75



### Specifications

- Full Scale Output:**  
3.0 mV/V
- Output Resistance:**  
350 (± 3) ohm
- Input Resistance:**  
385 (± 5) ohm
- Material/Finish:**  
High-alloy steel, nickel plated
- Temperature:**  
Compensated:  
14 °F to 104 °F (-10 °C to 40 °C)  
Operating:  
0 °F to 150 °F (-18 °C to 65 °C)
- Seal Type:**  
Environmentally sealed, IP67
- Safe Overload:**  
150% full scale
- Safe Sideload:**  
100% full scale
- Rated Excitation:**  
5 to 15 VDC
- Combined Error:**  
0.025%
- Insulation Resistance:**  
5,000 megohm
- Cable Length:**  
6 m
- Cable Diameter:**  
5 mm  
Polyurethane jacket
- Cable Color Code:**  
Red +Excitation  
Black -Excitation  
Green +Signal  
White -Signal
- Warranty:**  
One-year limited
- Approvals:**  
OIML  
cFMus



Picture is a representation of actual product

**Approvals**



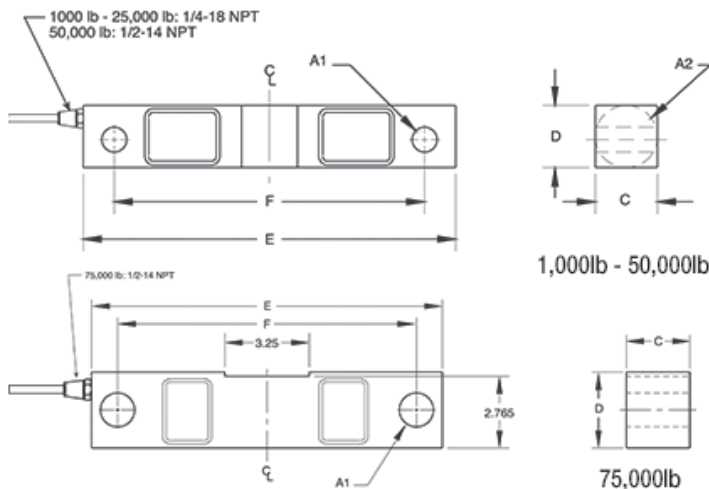
**Order Information**

Load Rating	Part #	Est. Weight	Price
1,000 lb	30080	4 lb	\$595.00
1,500 lb	30081	4 lb	\$595.00
2,000 lb	30088	4 lb	\$595.00
2,500 lb	30089	4 lb	\$595.00
3,000 lb	30091	4 lb	\$595.00
5,000 lb	30094	4 lb	\$595.00
10,000 lb	30095	7 lb	\$695.00
15,000 lb	30096	7 lb	\$695.00
20,000 lb	30097	7 lb	\$695.00
25,000 lb	30098	7 lb	\$695.00
50,000 lb	30099	25 lb	\$995.00
75,000 lb*	30100	25 lb	\$995.00

\*75,000 lb capacity has a square center

**Dimensions**

Rated Capacity	A1	A2	C	D	E	F
1,000 to 5,000	0.50	1.25	1.25	1.25	7.50	6.25
10,000 to 25,000	0.81	1.99	1.44	1.94	8.75	7.50
50,000	1.31	3.00	2.44	2.94	13.50	11.50
75,000	1.31	—	2.44	2.94	13.50	11.50



**Interchangeable Products**

- RICE LAKE WEIGHING SYSTEMS  
**RL75016** ..... page 133
- RICE LAKE WEIGHING SYSTEMS  
**RL75016WHE**..... page 137
- VPG® SENSORTRONICS®  
**65016**..... page 290
- VPG® REVERE  
**5203**

**Weigh Module Available**

- RICE LAKE WEIGHING SYSTEMS  
**RL1600 Series** page 68 and page 69

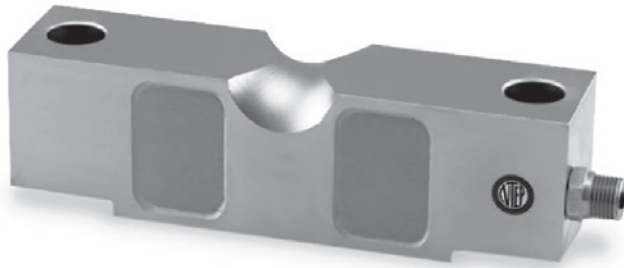
**Specifications**

- Full Scale Output:**  
3.0 mV/V
- Output Resistance:**  
700 (± 5) ohm
- Input Resistance:**  
770 (± 10) ohm
- Material/Finish:**  
High-alloy steel, nickel plated
- Temperature:**  
Operating:  
0 °F to 150 °F (-18 °C to 65 °C)
- Seal Type:**  
Environmentally sealed, IP67
- Safe Overload:**  
150% full scale
- Safe Sideload:**  
100% full scale
- Rated Excitation:**  
5 to 15 VDC
- Nonlinearity:**  
0.03% full scale
- Hysteresis:**  
0.02% full scale
- Insulation Resistance:**  
5,000 megohm
- Deflection at Capacity:**  
1,000 to 3,000 lb: 0.01 in  
5,000 lb: 0.015 in  
10,000 to 20,000 lb: 0.022 in  
25,000 lb: 0.036 in  
50,000 lb: 0.052 in  
75,000 lb: 0.07 in
- Cable Length:**  
25 ft
- Cable Diameter:**  
1,000 to 25,000 lb: 0.200 in  
50,000 to 75,000 lb: 0.305 in  
Polyurethane jacket
- Cable Color Code:**  
Red +Excitation  
Black -Excitation  
Green +Signal  
White -Signal
- Warranty:**  
One-year limited
- Approvals:**  
cFMus

# CLB

Alloy Steel, Environmentally Sealed, NTEP Certified 1:10,000 Class IIIIL Multiple Cell, IP67

VPG® CELTRON®



Picture is a representation of actual product

### Approvals

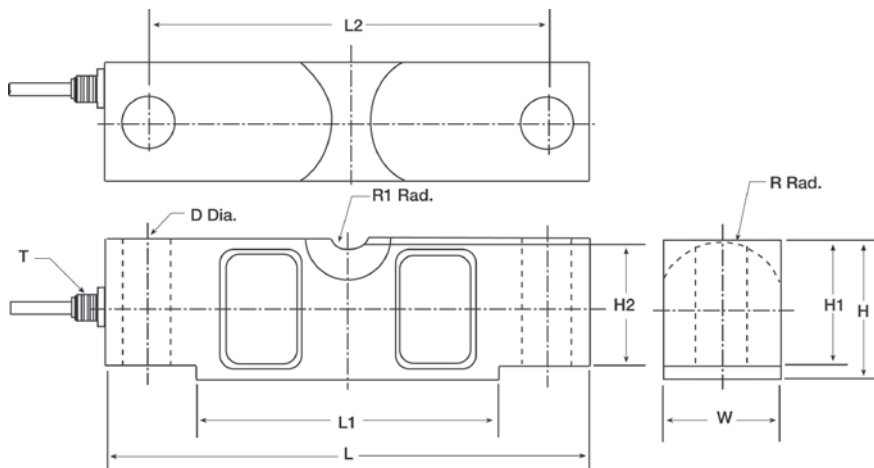


### Order Information

Load Rating	Part #	Est. Weight	Price
20,000 lb	46675	8 lb	\$646.00
25,000 lb	46676	8 lb	\$662.00
40,000 lb	46677	13 lb	\$790.00
50,000 lb	46678	19 lb	\$858.00
60,000 lb	46679	19 lb	\$858.00
75,000 lb	46680	19 lb	\$858.00
125,000 lb	46682	40 lb	\$1,563.00

### Dimensions

Rated Capacity	L	L1	L2	W	H	H1	H2	D	R	R1	T
lb/in											
20,000 to 25,000	7.75	4.99	6.50	1.69	1.94	1.70	1.63	0.68	0.90	0.75	1/4-18 NPT
40,000	10.25	6.39	8.50	1.94	2.44	2.10	2.00	0.81	1.12	1.00	1/4-18 NPT
50,000 to 75,000	10.25	6.39	8.50	2.44	2.94	2.65	2.54	1.06	1.37	1.00	1/2-14 NPT
125,000	15.25	8.99	12.75	2.90	3.86	2.43	3.30	1.62	1.80	1.50	1/2-14 NPT



### Interchangeable Products

RICE LAKE WEIGHING SYSTEMS  
**RL75058I**..... page 138  
 VPG® SENSORTRONICS®  
**65058A**..... page 293

### Weigh Module Available

RICE LAKE WEIGHING SYSTEMS  
**MVS**..... page 74

### Specifications

- Full Scale Output:**  
3.0 mV/V
- Output Resistance:**  
700 (± 5) ohm
- Input Resistance:**  
770 (± 10) ohm
- Material/Finish:**  
High-alloy steel, nickel plated
- Temperature:**  
Compensated:  
14 °F to 104 °F (-10 °C to 40 °C)  
Operating:  
0 °F to 150 °F (-18 °C to 65 °C)
- Seal Type:**  
Environmentally sealed, IP67
- Safe Overload:**  
150% full scale
- Safe Sideload:**  
100% full scale
- Rated Excitation:**  
5 to 15 VDC
- Combined Error:**  
0.025%
- Insulation Resistance:**  
5,000 megohm
- Cable Length:**  
25 ft
- Cable Diameter:**  
20,000 to 25,000 lb: 0.200 in  
40,000 to 125,000 lb: 0.305 in  
Polyurethane jacket
- Cable Color Code:**  
Red +Excitation  
Black -Excitation  
Green +Signal  
White -Signal
- Warranty:**  
One-year limited
- Approvals:**  
NTEP  
cFMus



Picture is a representation of actual product

**Approvals**

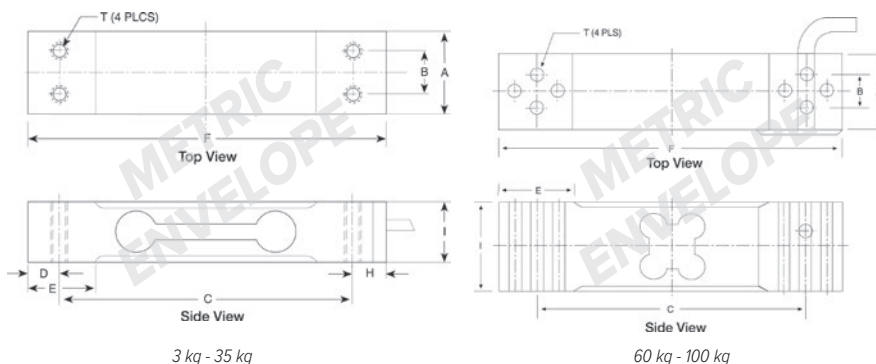


**Order Information**

Load Rating	Part #	Est. Weight	Price
<b>NTEP Certified</b>			
3 kg	41822	1 lb	\$138.00
6 kg	41823	1 lb	\$138.00
10 kg	41824	1 lb	\$138.00
15 kg	41825	1 lb	\$138.00
20 kg	41826	1 lb	\$138.00
<b>Non-NTEP Certified</b>			
10 kg	30145	1 lb	\$127.00
15 kg	30146	1 lb	\$127.00
20 kg	30147	1 lb	\$127.00
30 kg	46502	1 lb	\$127.00
35 kg	30148	1 lb	\$127.00
60 kg	41149	2 lb	\$127.00
100 kg	41150	2 lb	\$127.00

**Dimensions**

Rated Capacity	A	B	C	D	E	F	H	I	T
kg/mm									
3	15.0	7.0	58.0	6.0	12.0	70.0	6.0	22.0	M3 × 0.5
6 to 20	30.0	15.0	106.0	12.0	25.0	130.0	12.0	22.0	M6 × 1.0
30 to 35	40.0	15.0	106.0	12.0	25.0	130.0	12.0	22.0	M6 × 1.0
60 to 100	35.0	15.0	117.0	-	-	150.0	-	40.0	M6 × 1.0



**Interchangeable Products**

- RICE LAKE WEIGHING SYSTEMS
- RL1521A**.....page 159
- VPG® TEDEA-HUNTLEIGH®
- 1022** .....page 310
- VPG® BLH
- C2G1**
- NMB®
- C2G1**

**Specifications**

- Full Scale Output:**  
2.0 mV/V
- Output Resistance:**  
350 (± 3) ohm
- Input Resistance:**  
410 (± 15) ohm
- Material/Finish:**  
Aluminum
- Temperature:**  
Compensated:  
14 °F to 104 °F (-10 °C to 40 °C)  
Operating:  
0 °F to 150 °F (-18 °C to 65 °C)
- Seal Type:**  
Environmentally sealed, IP65
- Safe Overload:**  
150% full scale
- Rated Excitation:**  
5 to 15 VDC
- Combined Error:**  
0.25% full scale
- Non-repeatability:**  
0.02%
- Insulation Resistance:**  
5,000 megohm
- Cable Length:**  
3 to 35 kg: 1.5 m  
60 kg: 6.5 m  
100 kg: 6.5 m
- Cable Diameter:**  
4.0 mm  
PVC jacket
- Cable Color Code:**  
Red +Excitation  
Black -Excitation  
Green +Signal  
White -Signal
- Max Platform Size:**  
350 × 350 mm
- Warranty:**  
One-year limited
- Approvals:**  
NTEP  
cFMus

VPG® CELTRON®

# LOC Heavy Capacity

Aluminum, Environmentally Sealed, NTEP Certified 1:5,000 Class III Single Cell, IP65



Picture is a representation of actual product

### Approvals

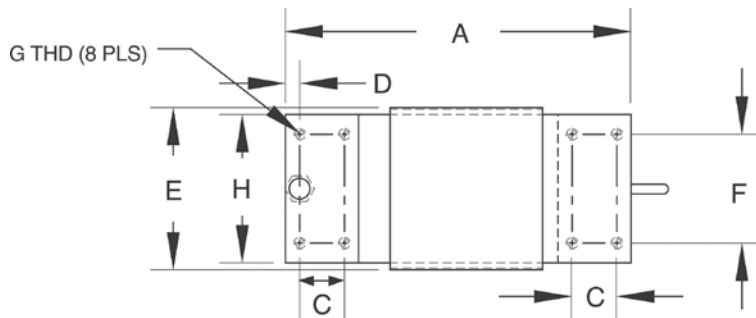


### Order Information

Load Rating	Part #	Est. Weight	Price
100 kg	39797	7 lb	\$313.00
150 kg	39796	7 lb	\$313.00
250 kg	39795	7 lb	\$313.00
300 kg	39794	7 lb	\$313.00
500 kg	39793	7 lb	\$313.00

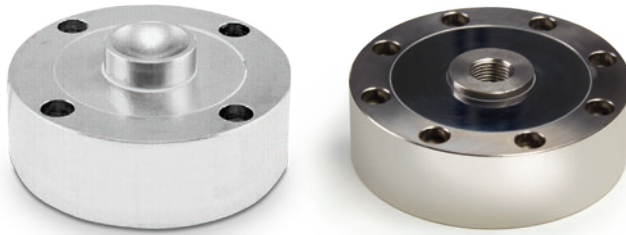
### Dimensions

Rated Capacity	A	C	D	E	F	G	H
kg/mm							
100 to 500	191.0	25.0	11.0	82.0	60.0	5/16-18 UNC x 20 DP	75.0



### Specifications

- Full Scale Output:**  
2.0 mV/V
- Output Resistance:**  
350 (± 3) ohm
- Input Resistance:**  
410 (± 10) ohm
- Material/Finish:**  
Aluminum
- Temperature:**  
Compensated: 14 °F to 104 °F (-10 °C to 40 °C)  
Operating: 0 °F to 150 °F (-18 °C to 65 °C)
- Seal Type:**  
Environmentally sealed, IP65
- Safe Overload:**  
150% full scale
- Rated Excitation:**  
5 to 15 VDC
- Combined Error:**  
0.025% full scale
- Non-repeatability:**  
0.02%
- Insulation Resistance:**  
5,000 megohm
- Cable Length:**  
3 m
- Cable Diameter:**  
0.200 in PVC jacket
- Cable Color Code:**  
Red +Excitation  
Black -Excitation  
Green +Signal  
White -Signal
- Max Platform Size:**  
24 x 24 in
- Warranty:**  
One-year limited
- Approvals:**  
NTEP  
cFMus



25,000 to 100,000 lb

5,000 to 10,000 lb

Picture is a representation of actual product

**Approvals**



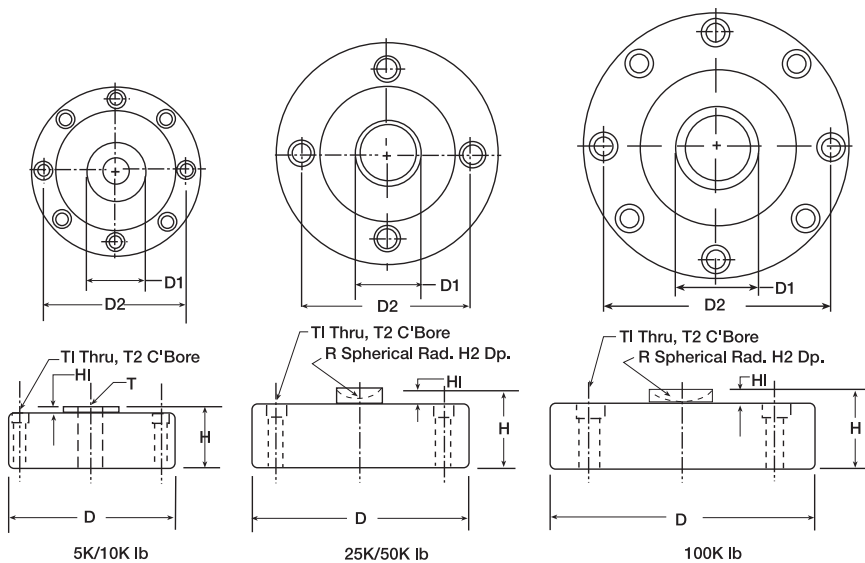
**Order Information**

Load Rating	Part #	Est. Weight	Price
5,000 lb*	<b>41966</b>	6 lb	\$775.00
10,000 lb*	<b>41967</b>	6 lb	\$775.00
25,000 lb	<b>41968</b>	9 lb	\$975.00
50,000 lb	<b>41969</b>	9 lb	\$975.00
100,000 lb	<b>41970</b>	12 lb	\$1,125.00
Options			
Ball 1.25 in diameter	<b>65841</b>	1 lb	\$37.00
Load cup**	<b>33616</b>	1 lb	\$37.00

\* 5,000lb and 10,000lb models can be used in compression and tension load applications  
 \*\* Load cup, PN 33616, is required for compression applications on 5,000lb and 10,000lb capacity load cells and is sold separately

**Dimensions**

Rated Capacity	T	R	D	D2	H	H1	H2	T1	T2
5,000 to 10,000	5/8-18 UNF	—	4.12	3.50	1.37	0.12	—	0.28	0.406 × 0.283 DP
25,000 to 50,000	—	0.875	4.75	4.00	2.12	0.50	0.31	0.34	0.508 × 0.38 DP
100,000	—	0.875	5.43	4.60	2.25	0.25	0.31	0.41	0.626 × 0.4 DP



**Interchangeable Products**

RICE LAKE WEIGHING SYSTEMS  
**RL90000** ..... page 152

**Specifications**

- Full Scale Output:**  
4.0 mV/V
- Output Resistance:**  
5,000 to 50,000 lb: 350 (± 3) ohm  
100,000 lb: 700 (± 5) ohm
- Input Resistance:**  
5,000 to 50,000 lb: 385 (± 5) ohm  
100,000 lb: 770 (± 70) ohm
- Material/Finish:**  
High-alloy steel, nickel plated
- Temperature:**  
Operating:  
0 °F to 150 °F (-18 °C to 65 °C)
- Seal Type:**  
Environmentally sealed, IP67
- Safe Overload:**  
150% full scale
- Rated Excitation:**  
15 VDC
- Nonlinearity:**  
0.05% full scale
- Hysteresis:**  
0.02% full scale
- Insulation Resistance:**  
2,000 megohm
- Cable Length:**  
50 ft
- Cable Diameter:**  
5,000 to 25,000 lb: 0.200 in  
50,000 to 100,000 lb: 0.305 in  
Polyurethane jacket
- Cable Color Code:**  
Red +Excitation  
Black -Excitation  
Green +Signal  
White -Signal
- Warranty:**  
One-year limited
- Approvals:**  
cFMus

